



LED COMMERCIAL DOWNLIGHT

► **DESIGN** - LED COMMERCIAL DOWNLIGHT comes with a durable aluminum housing resistant to rust and impact, anti-glare PC lens, spring-loaded clips and 1.6 ft cord in metal hose. It is designed to operate on 120-277V circuits with a 0-10V dimmable driver.

► **COLOR AND POWER SELECTABLE** - You can choose either a 2,700K soft white, 3,000K warm white, 3,500K neutral white, 4,000K cool white, or 5,000K daylight color temperature, and change the power with a simple switch.

► **CRI90+** - rating provides rich and natural colors and keeps your space looking and feeling vibrant. True bright colors also improve your mood and general health.

► **INSTALLATION** - This fixture is IC rated so there is no can or any other housing required. It is also Wet Locations rated, making it perfect for any spaces with humidity requirements. Perfect for retail, hospitality, or any other commercial space with a high ceiling.

► **ADVANTAGES** - With calculated lifespan up to 124,000 hours, these fixtures are made to last decades under normal operation! ASD provides a 5-year limited warranty along with UL and Energy Star certifications to guarantee top quality products and safety!

Catalog number	
Notes	
Type	



Finish:	White
	Black

Model	Size	Watts	Voltage	Dimmable	Lumens	CCT	IC rated	Finish	Dimensions (DxH)	Cord
ASD-CDL7-4DA13AC	4 inch	7/10/13W	120-277 V	0-10 V	600/850/1,050 lm	5CCT (2,700/3,000/3,500/4,000/5,000 K)	Yes	White	5-3/8" x 3-1/16"	1.6 ft
ASD-CDL7-6DA22AC	6 inch	10/15/22W	120-277 V	0-10 V	900/1,300/1,850 lm	5CCT (2,700/3,000/3,500/4,000/5,000 K)	Yes	White	8-1/4" x 4"	1.6 ft
ASD-CDL7-6DA22AC-BK	6 inch	10/15/22W	120-277 V	0-10 V	900/1,300/1,850 lm	5CCT (2,700/3,000/3,500/4,000/5,000 K)	Yes	Black	8-1/4" x 4"	1.6 ft
ASD-CDL7-6DA30AC	6 inch	20/25/30W	120-277 V	0-10 V	1,830/2,161/2,487 lm	5CCT (2,700/3,000/3,500/4,000/5,000 K)	-	White	8-1/4" x 4"	1.6 ft
ASD-CDL7-8DA30AC	8 inch	12/20/30W	120-277 V	0-10 V	1,050/1,700/2,400 lm	5CCT (2,700/3,000/3,500/4,000/5,000 K)	Yes	White	10-1/4" x 4-7/16"	1.6 ft
ASD-CDL7-8DA30AC-BK	8 inch	12/20/30W	120-277 V	0-10 V	1,050/1,700/2,400 lm	5CCT (2,700/3,000/3,500/4,000/5,000 K)	Yes	Black	10-1/4" x 4-7/16"	1.6 ft
ASD-CDL7-8DA40AC	8 inch	30/35/40W	120-277 V	0-10 V	2,603/2,981/3,250 lm	5CCT (2,700/3,000/3,500/4,000/5,000 K)	-	White	10-1/4" x 4-7/16"	1.6 ft
ASD-CDL7-10DA40AC	10 inch	20/30/40W	120-277 V	0-10 V	1,800/2,400/3,000 lm	5CCT (2,700/3,000/3,500/4,000/5,000 K)	Yes	White	11-5/16" x 4-15/16"	1.6 ft
ASD-CDL7-10DA40AC-BK	10 inch	20/30/40W	120-277 V	0-10 V	1,800/2,400/3,000 lm	5CCT (2,700/3,000/3,500/4,000/5,000 K)	Yes	Black	11-5/16" x 4-15/16"	1.6 ft
ASD-CDL7-10DA60AC	10 inch	40/50/60W	120-277 V	0-10 V	3,552/4,363/5,155 lm	5CCT (2,700/3,000/3,500/4,000/5,000 K)	-	White	11-5/16" x 4-15/16"	1.6 ft

ORDERING INFORMATION

Model	UPC	Pcs. per carton	Carton size	Carton weight	GTIN 14
ASD-CDL7-4DA13AC	810050736121	8	16.1" x 14.4" x 7.1"	9.3 lbs	30810050736122
ASD-CDL7-6DA22AC	810050736022	8	19.1" x 18.1" x 10"	15.7 lbs	30810050736023
ASD-CDL7-6DA22AC-BK	810050739443	8	19.1" x 18.1" x 10"	15.7 lbs	10810050739440
ASD-CDL7-6DA30AC	810050739825	8	19.1" x 18.1" x 10"	15.7 lbs	10810050739822
ASD-CDL7-8DA30AC	810050736039	4	18.9" x 11.4" x 11.6"	9.1 lbs	10810050736036
ASD-CDL7-8DA30AC-BK	810050739450	4	18.9" x 11.4" x 11.6"	9.1 lbs	10810050739457
ASD-CDL7-8DA40AC	819201025459	4	18.9" x 11.4" x 11.6"	9.1 lbs	10819201025456
ASD-CDL7-10DA40AC	810050736046	4	23.6" x 12.6" x 13"	12.1 lbs	10810050736043
ASD-CDL7-10DA40AC-BK	810050739832	4	23.6" x 12.6" x 13"	12.1 lbs	10810050739839
ASD-CDL7-10DA60AC	819201023721	4	23.6" x 12.6" x 13"	12.1 lbs	10819201023728

ACCESSORIES:

Model	Name	UPC	Pcs. per carton	Carton size	Carton weight	GTIN 14
BLD-HM08D	Battery back-up kit 8W	810128111508	10	14.4" x 13.8" x 9.3"	19.6 lbs	10810128111505
BLD-HM15D	Battery back-up kit 15W	810050734882	10	18.5" x 13.4" x 11.8"	25.6 lbs	10810050734889

For most up-to-date spec sheets please refer to asd-lighting.com

ASD LIGHTING CORP

E-mail: orders@asd-lighting.com | Web site: www.asd-lighting.com





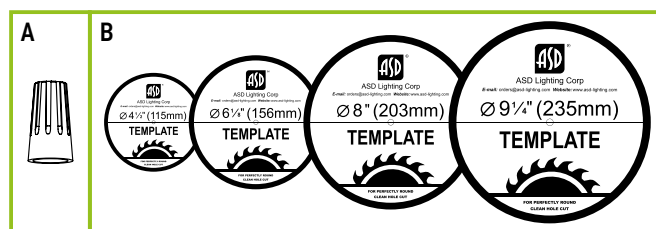
LED COMMERCIAL DOWNLIGHT

PRODUCT SPECIFICATIONS:

Construction & Materials						
Housing	Aluminum					
Lens	PC					
Finish	White, Black					
Weight	ASD-CDL7-4DA13AC	0.7 lbs (0.3 kg)	ASD-CDL7-8DA30AC	1.8 lbs (0.8 kg)	ASD-CDL7-10DA40AC	2.4 lbs (1.1 kg)
	ASD-CDL7-6DA22AC	1.5 lbs (0.7 kg)	ASD-CDL7-8DA30AC-BK		ASD-CDL7-10DA40AC-BK	
	ASD-CDL7-6DA22AC-BK		ASD-CDL7-8DA40AC	ASD-CDL7-10DA60AC		
	ASD-CDL7-6DA30AC					
Environmental system						
Work environment	Suitable for Wet Locations					
Operating temperature	-13°F to 113°F (-25°C to 45°C)					
L-70 Life	> 50,000 hrs					
Optical system						
Luminous flux	ASD-CDL7-4DA13AC	600/850/1,050 lm	ASD-CDL7-8DA30AC	1,050/1,700/2,400 lm	ASD-CDL7-10DA40AC	1,800/2,400/3,000 lm
	ASD-CDL7-6DA22AC	900/1,300/1,850 lm	ASD-CDL7-8DA30AC-BK		ASD-CDL7-10DA40AC-BK	
	ASD-CDL7-6DA22AC-BK		ASD-CDL7-8DA40AC	ASD-CDL7-10DA60AC		
	ASD-CDL7-6DA30AC		1,830/2,161/2,487 lm			
Color temperature	5CCT (2,700/3,000/3,500/4,000/5,000 K)					
CRI	> 90					
Electrical system						
Input voltage	120-277 V					
Max input current	ASD-CDL7-4DA13AC	0.15 A	ASD-CDL7-8DA30AC	0.3 A	ASD-CDL7-10DA40AC	0.5 A
	ASD-CDL7-6DA22AC	0.23 A	ASD-CDL7-8DA30AC-BK		ASD-CDL7-10DA40AC-BK	
	ASD-CDL7-6DA22AC-BK		ASD-CDL7-8DA40AC	ASD-CDL7-10DA60AC		
	ASD-CDL7-6DA30AC		0.29 A			
Inrush current (Action time)	ASD-CDL7-4DA13AC	30 A (0.3 S)	ASD-CDL7-8DA30AC	37 A (0.3 S)	ASD-CDL7-10DA40AC	50 A (0.3 S)
	ASD-CDL7-6DA22AC	43 A (0.3 S)	ASD-CDL7-8DA30AC-BK		ASD-CDL7-10DA40AC-BK	
	ASD-CDL7-6DA22AC-BK		ASD-CDL7-8DA40AC	ASD-CDL7-10DA60AC		
	ASD-CDL7-6DA30AC		38 A (0.3 S)			
Off state power	0W					
Power consumption	ASD-CDL7-4DA13AC	7/10/13W	ASD-CDL7-8DA30AC	12/20/30W	ASD-CDL7-10DA40AC	20/30/40W
	ASD-CDL7-6DA22AC	10/15/22W	ASD-CDL7-8DA30AC-BK		ASD-CDL7-10DA40AC-BK	
	ASD-CDL7-6DA22AC-BK		ASD-CDL7-8DA40AC	ASD-CDL7-10DA60AC		
	ASD-CDL7-6DA30AC		20/25/30W			
Power factor	> 0.9					
Output voltage	ASD-CDL7-4DA13AC	36 V	ASD-CDL7-8DA30AC	30-42 V	ASD-CDL7-10DA40AC	36 V
	ASD-CDL7-6DA22AC	30-42 V	ASD-CDL7-8DA30AC-BK		ASD-CDL7-10DA40AC-BK	
	ASD-CDL7-6DA22AC-BK		ASD-CDL7-8DA40AC	ASD-CDL7-10DA60AC		
	ASD-CDL7-6DA30AC					
Max output current	ASD-CDL7-4DA13AC	0.33 A	ASD-CDL7-8DA30AC	0.75 A	ASD-CDL7-10DA40AC	1 A
	ASD-CDL7-6DA22AC	0.55 A	ASD-CDL7-8DA30AC-BK		ASD-CDL7-10DA40AC-BK	
	ASD-CDL7-6DA22AC-BK		ASD-CDL7-8DA40AC	ASD-CDL7-10DA60AC		
	ASD-CDL7-6DA30AC		0.75 A			
Surge protection DM/CM	2.5 kV / 2.5 kV					
Dimming compatible controls						
Brand	Lutron			Leviton		
Models	DVSTV-BL	DVSTV-WH	DVSTV-GR	DS 710-10Z		
	DVSTV-AL	DVSTV-BR	DVSTV-LA	AWSMT-7DW		
	DVSTV-IV					
Regular and voluntary certifications						
5-year limited warranty						
Energy Star listed						
UL certified E473854						

PACKAGE CONTENTS:

Description	Q-ty
LED Commercial Downlight Fixture	1
Wire nut (A)	3
Template for 4, 6, 8 or 10 inch (B)	1
Box	1



For most up-to-date spec sheets please refer to asd-lighting.com



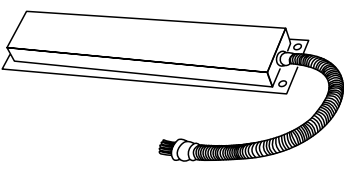
LED COMMERCIAL DOWNLIGHT

ACCESSORIES (sold separately):

Battery back-up kit

8W
BLD-HM08D

15W
BLD-HM15D



ACCESSORY COMPATIBILITY LIST:

Accessories	Battery back-up kit 8W BLD-HM08D	Battery back-up kit 15W BLD-HM15D
ASD-CDL7-4DA13AC	•	•
ASD-CDL7-6DA22AC	•	•
ASD-CDL7-6DA22AC-BK	•	•
ASD-CDL7-6DA30AC	•	•
ASD-CDL7-8DA30AC	•	•
ASD-CDL7-8DA30AC-BK	•	•
ASD-CDL7-8DA40AC	•	•
ASD-CDL7-10DA40AC	•	•
ASD-CDL7-10DA40AC-BK	•	•
ASD-CDL7-10DA60AC	•	•

BATTERY BACK-UP KIT INFORMATION

BLD-HM08D **BLD-HM15D** sold separately:

Specifications	BLD-HM08D	BLD-HM15D
Input voltage	120-347 Vac, 50/60 Hz	
Input current	≤ 100 mA	
Output voltage	≤ 170 Vdc	≤ 175 Vdc
Output power	8W	15W
Lumen	800 lm	1,000 lm
Application	< 60W (0-10 V dimmable fixture)	< 100W (0/1-10 V dimmable fixture)
Ambient temperature	32°F to 122°F (0°C to 50°C)	

INSTALLATION GUIDE

IMPORTANT SAFETY INFORMATION:

Please read all the instructions below before installation.

- ▶ Make sure that the supply voltage corresponds to the rated product voltage.
- ▶ The product must be installed by a qualified electrician in accordance with the National Electrical Code and corresponding local codes.
- ▶ If the product is damaged, do not use it.

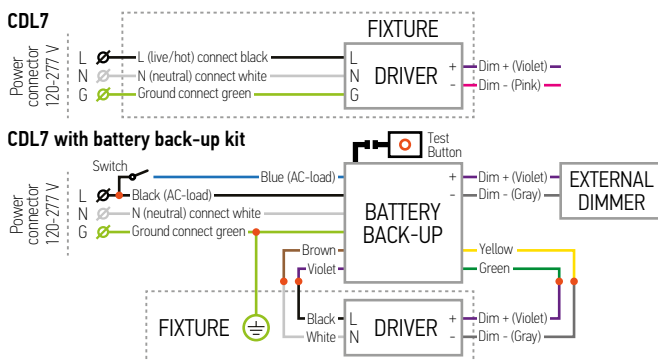
⚠ WARNING

RISK OF PERSONAL INJURY – READ and follow all WARNINGS and installation instructions. Keep or give to the owner for future reference.
Risk of cuts: Wear gloves to prevent cuts or abrasions when removing from carton, handling, installing, and maintaining this product.

Risk of electric shock: This product must be installed in accordance with the applicable installation code by a person familiar with the construction and operation of the product and the hazards involved.

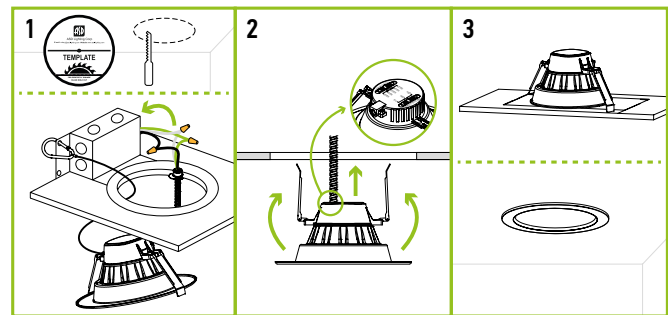
Risk of Fire: Minimum 194°F supply conductors. Consult a qualified electrician to ensure correct branch circuit conductor.
 ASD® assumes no responsibility for claims arising out of improper or careless installation or handling of this product.

ELECTRICAL SCHEMATIC DIAGRAM:



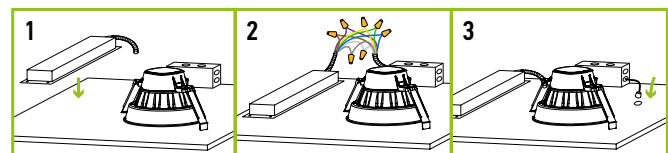
INSTALLATION STEPS:

1. Use template to cut an appropriate sized hole. Secure the safety latch onto a structural part of the original fixture housing above the ceiling. Connect the wires using wire nuts: Black to Black, White to White, Green to Green.
2. Before inserting the fixture into the mounting surface opening, choose power and color temperature with a simple switch. Fold up the two spring mounting tabs and release as the fixture is placed into the mounting surface.
3. Ensure that the spring mounting tabs have securely mounted the fixture so that the front trim is flush against the mounting surface.



INSTALLATION BATTERY BACK-UP KIT:

1. Secure the battery back-up to the ceiling (brackets not included).
2. Connect wires as shown on electrical diagram.
3. Connect test switch and affix it in the hole on surface.



For most up-to-date spec sheets please refer to asd-lighting.com