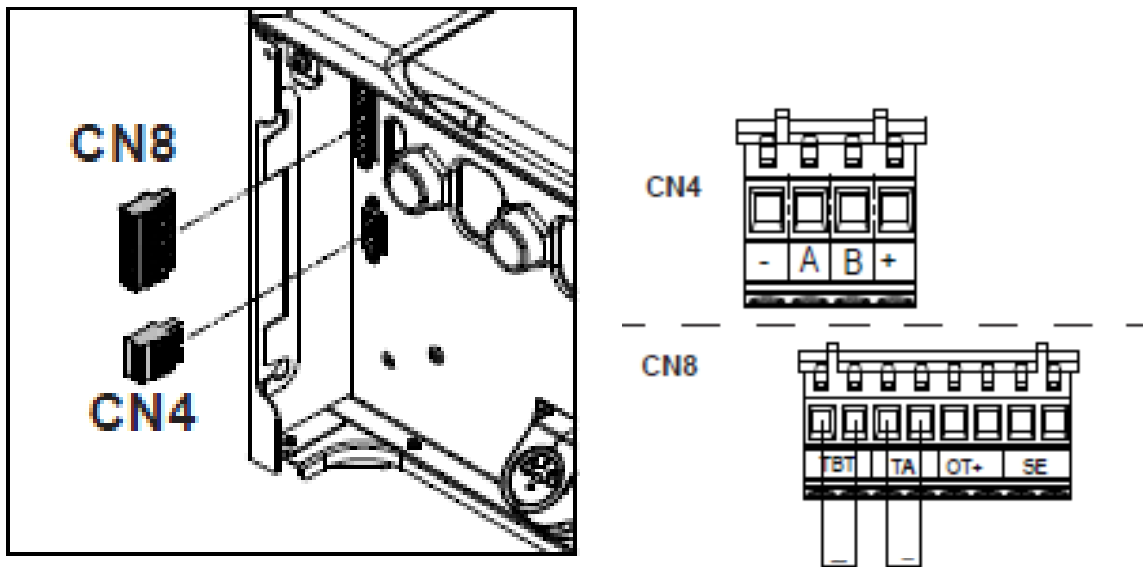


Mynute X : External control device connections.



The **TBT** Link Must remain in place unless you are installing a low temperature limit thermostat.

Remove the **TA** link wire to install your voltage free control connections from your systems control thermostat/programmer.

Ensure the connectors CN4 and CN8 are pushed fully home.

To avoid damaging the connector pins take care when inserting.