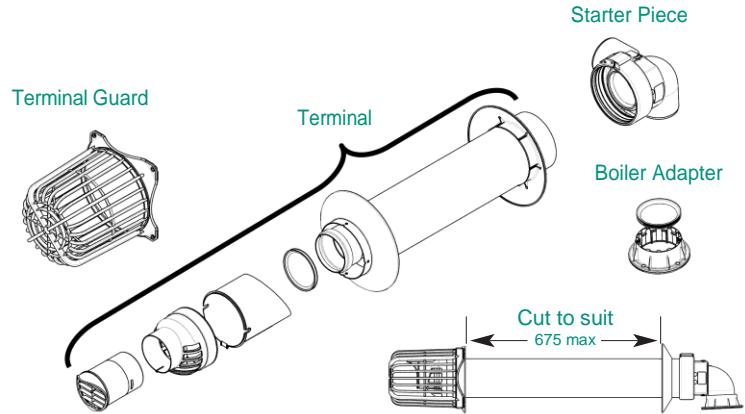




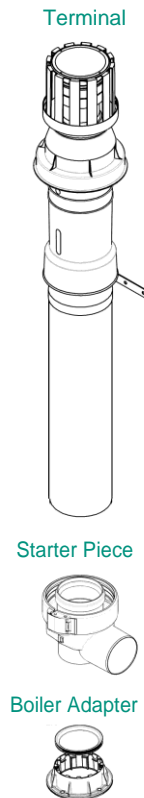
The 'Easy-fit' plastic flue systems has been specifically designed for use on high efficiency condensing oil-fired boilers.

## HE plastic flue systems

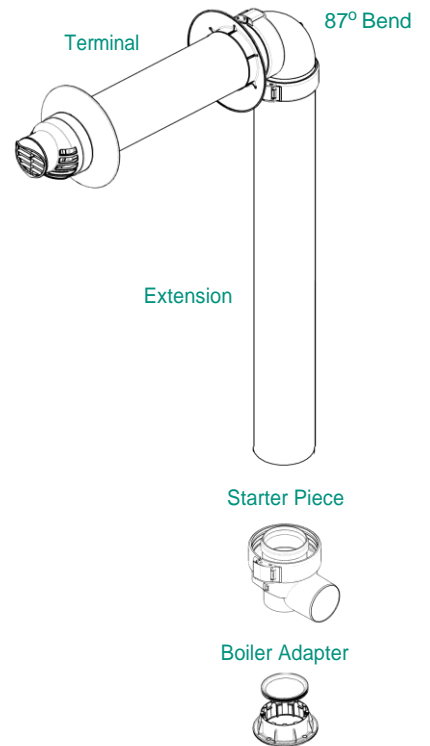
### horizontal flue kit (HIQ 9FBF)



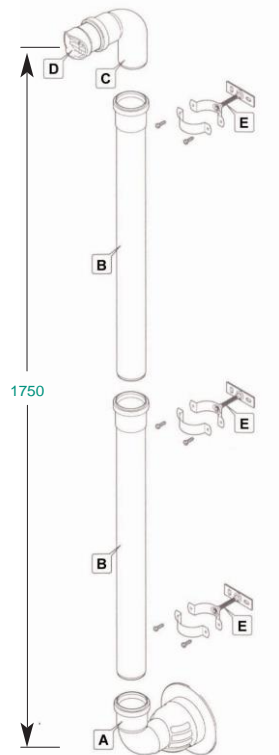
### vertical flue kit (HIQ 7BF)



### high-level flue kit (HIQ 8FBF)

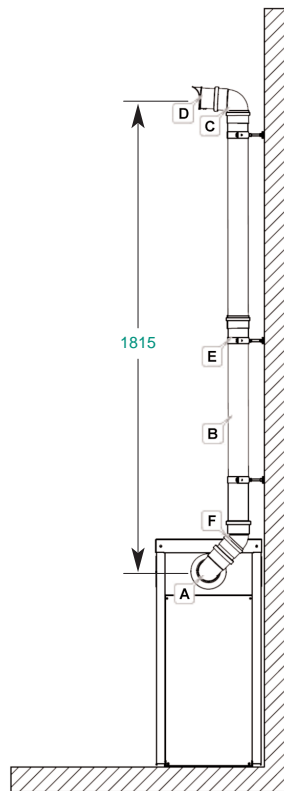


### utility plume management kit **Special order**



Note: FBF kit also required

### kabin pak plume management kit **Special order**



In instances where discharging flue gasses at low level may cause a problem, such as in a small courtyard or passageway, a Plume Management Kit may provide a useful alternative to a traditional low-level flue.

Manufactured in black UV-stabilised polypropylene, the Plume Management Kits are CE-certified and approved to EN 14471, as are all Warmflow HE plastic flues.

The plume management kits comprise:

- A – Diverter elbow
- B – 860mm extension
- C – 87° bend
- D – Terminal insert
- E – Adjustable bracket
- F – 45° bend

### HE flue kit accessories

<b>HIQ 9EXT - 1000mm extension pipe</b>  Assembled length: 940	<b>HIQ 9EXS - 500mm extension pipe</b>  Assembled length: 440	<b>HIQ 9ANG - 45° bend</b>  Effective length = 0.5m	<b>HIQ 9SQR - 87° bend</b>  Effective length = 1.0m
<b>F10 - conventional flue adapter</b>  Ø 152	<b>HIQ 9FLA - pitched roof flashing</b> 	<b>F12 - flat roof flashing</b> 	<b>HIQ 9GAR - terminal guard</b> 

### Plume management kit accessories **Special order**

<b>3457 - 860mm extension</b>  Assembled length	<b>3458 - 87° bend</b> 	<b>3499 - 45° bend</b> 	<b>3460 - adjustable bracket</b> 
---	----------------------------	----------------------------	--------------------------------------