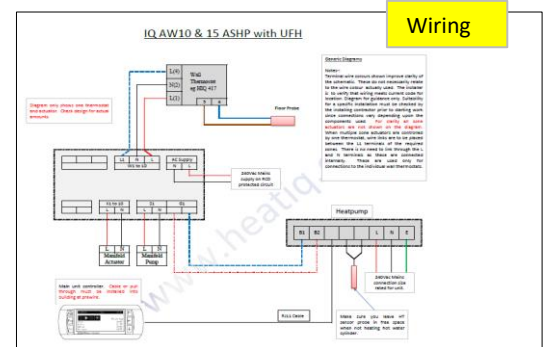
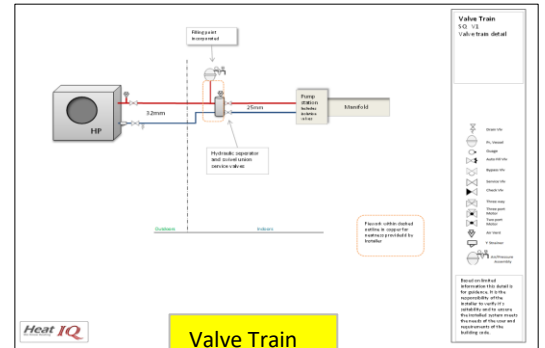
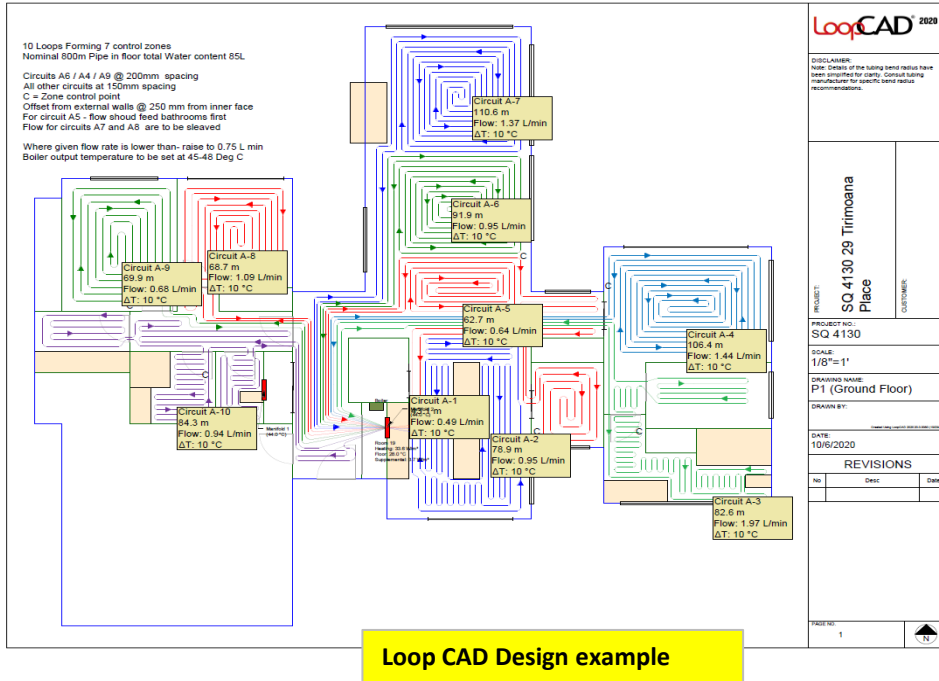




# Under-floor system design on your floor plans

Using industry leading loop-CAD software our professional design team will provide a detailed pipe out design drawings for your underfloor system. This design is produced using detailed calculations, it is a verified heat loss calculated detail. This Loop-CAD detail is suitable for submission to Council for the consent process and for the installer to follow on site.



This detailed loop-CAD design will be accompanied by a mechanical valve train schematic and a detailed wiring diagram suitable for your electrical contractor to wire in for your system.

**A \$70 fee applies, for this design service for package systems**



Here in NZ there are no regulations relating to the consideration of energy efficient system design. One of the most important features of any efficient floor system is the level of control applied. All our designs include multi zone control using user friendly control thermostats and programmers

All our systems can be upgrade optioned to Wi-Fi Control for even greater interaction and efficiency



