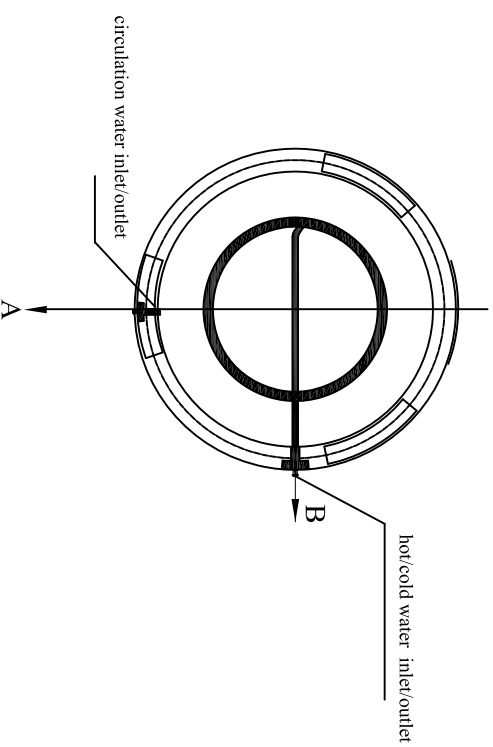
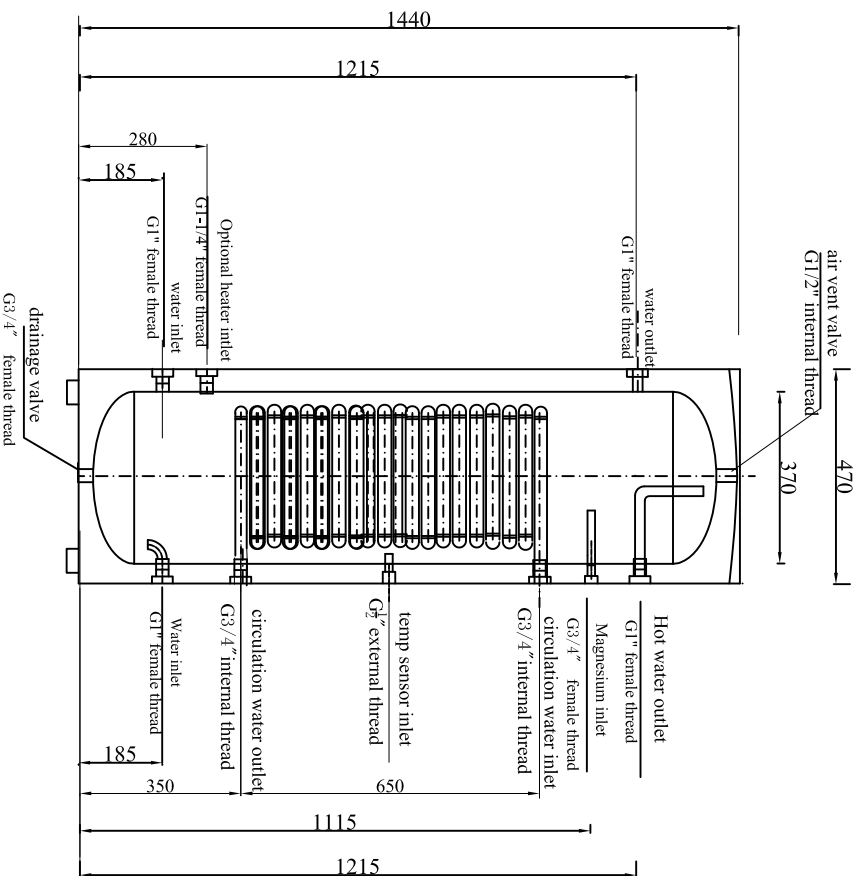


# A-B



## Technical detail:

- 1、Carton packing size: 550 × 550 × 1500mm
- 2、Inner tank SUS 304  $\delta=1.2$ , outer case galvanized sheet  $\delta=0.50$ ; polyurethane foam insulation 50mm,
- 3、Inner tank test pressure 1.2Mpa, last 20 minutes without pressure drop and distortion
- 4、The rated pressure of the tank is 0.7Mpa.A pressure relief valve not bigger than 0.7Mpa and non-return valve is necessary to install at cold water inlet
- 5、inner lining test pressure 1.2Mpa,maintain 20 mineutes without drop of pressure and distortion of apperance.
- 6、Internal coil SUS304  $\phi 25, 22m$

# 150L tank with coil