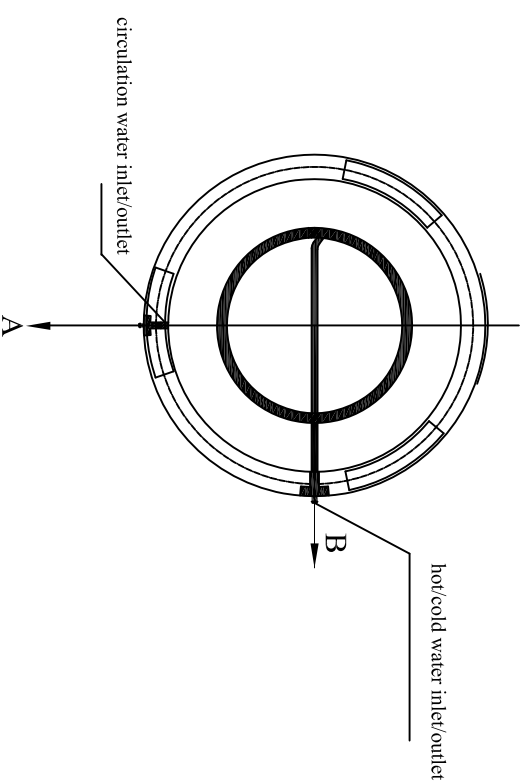
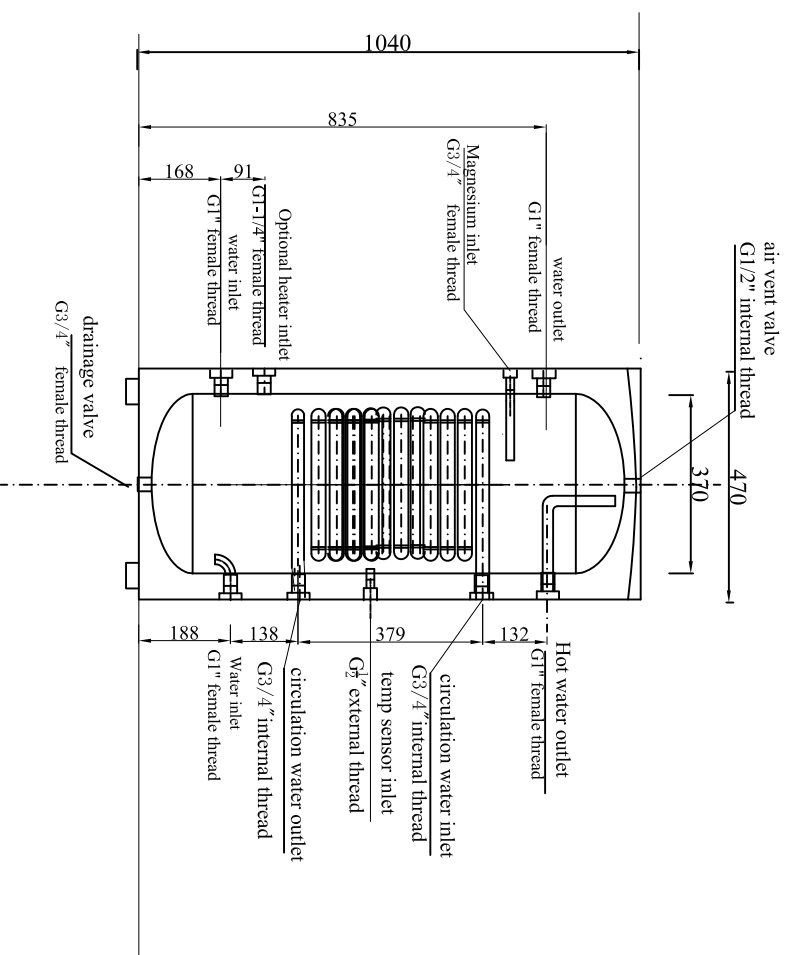


# A-B



## Technical detail:

- 1、 Carton packing size: 550×550×1120mm
- 2、 Inner tank SUS 304  $\delta=1.0$ , outer case galvanized sheet  $\delta=0.50$ ; polyurethane foam insulation 50mm,
- 3、 Inner tank test pressure 1.2Mpa, last 20 minutes without pressure drop and distortion
- 4、 The rated pressure of the tank is 0.7Mpa. A pressure relief valve not bigger than 0.7Mpa and non-return valve is necessary to install at cold water inlet
- 5、 inner lining test pressure 1.2Mpa, maintain 20 minutes without drop of pressure and distortion of appearance.
- 6、 Internal coil SUS304  $\phi 25$ , 12m

# 100L tank with coil