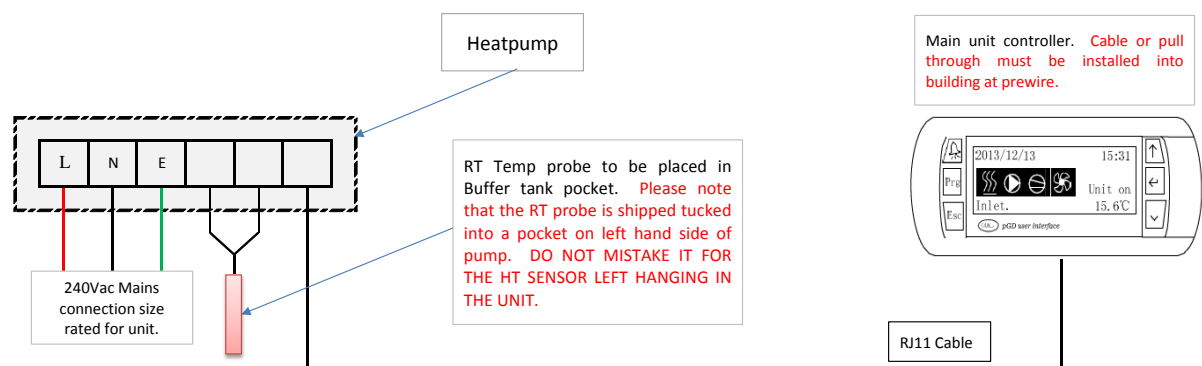
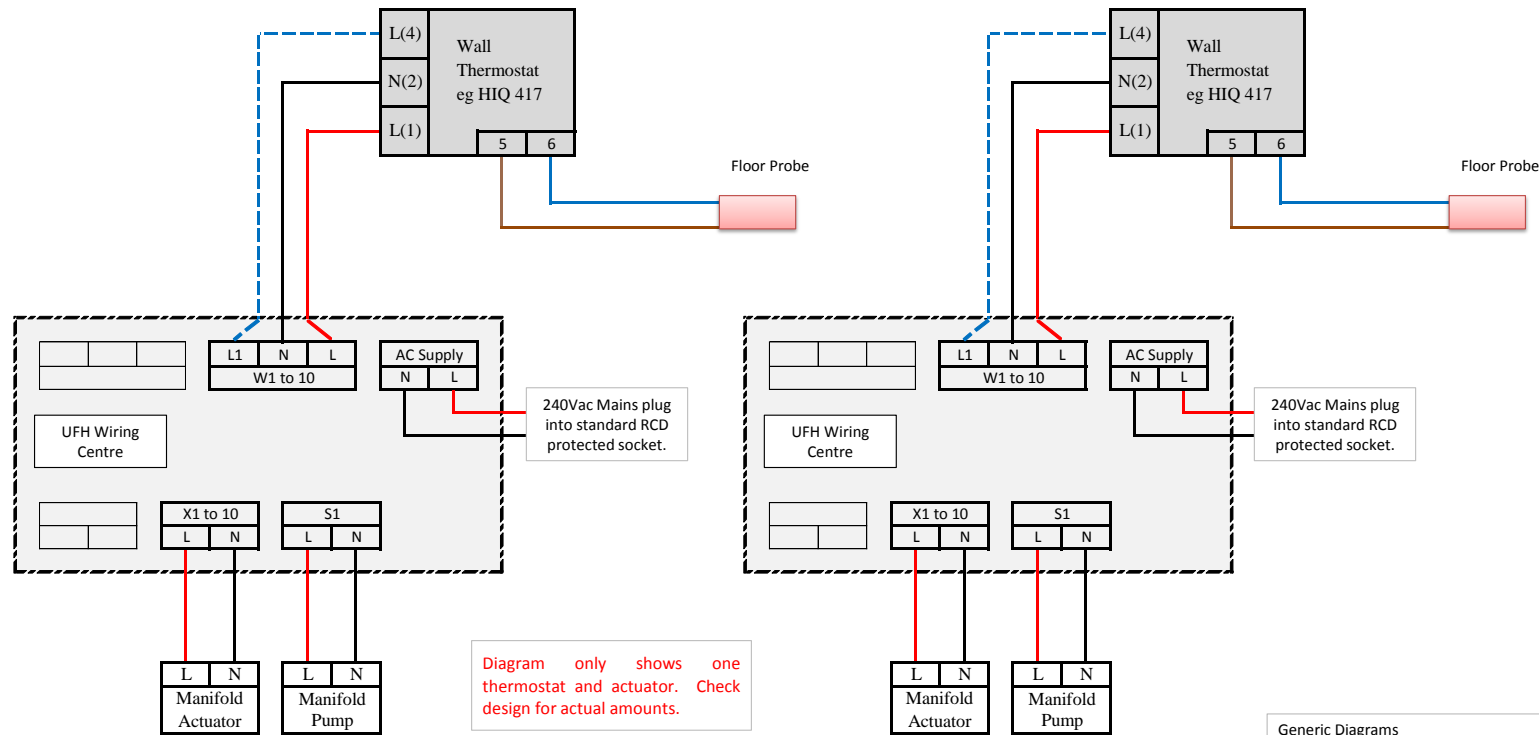


ASHP with UFH and buffer tank (dual pumped manifolds)



Generic Diagrams

Notes:-
Terminal wire colours shown improve clarity of the schematic. These do not necessarily relate to the wire colour actually used. The installer is to verify that wiring meets current code for location. Diagram for guidance only. Suitability for a specific installation must be checked by the installing contractor prior to starting work since connections vary depending upon the components used. **For clarity all zone actuators are not shown on the diagram.** When multiple zone actuators are controlled by one thermostat, wire links are to be placed between the L1 terminals of the required zones. There is no need to link through the L and N terminals as these are connected internally. These are used only for connections to the individual wall thermostats.