

Warmflow Diesel Combi Boiler with Underfloor and Radiators

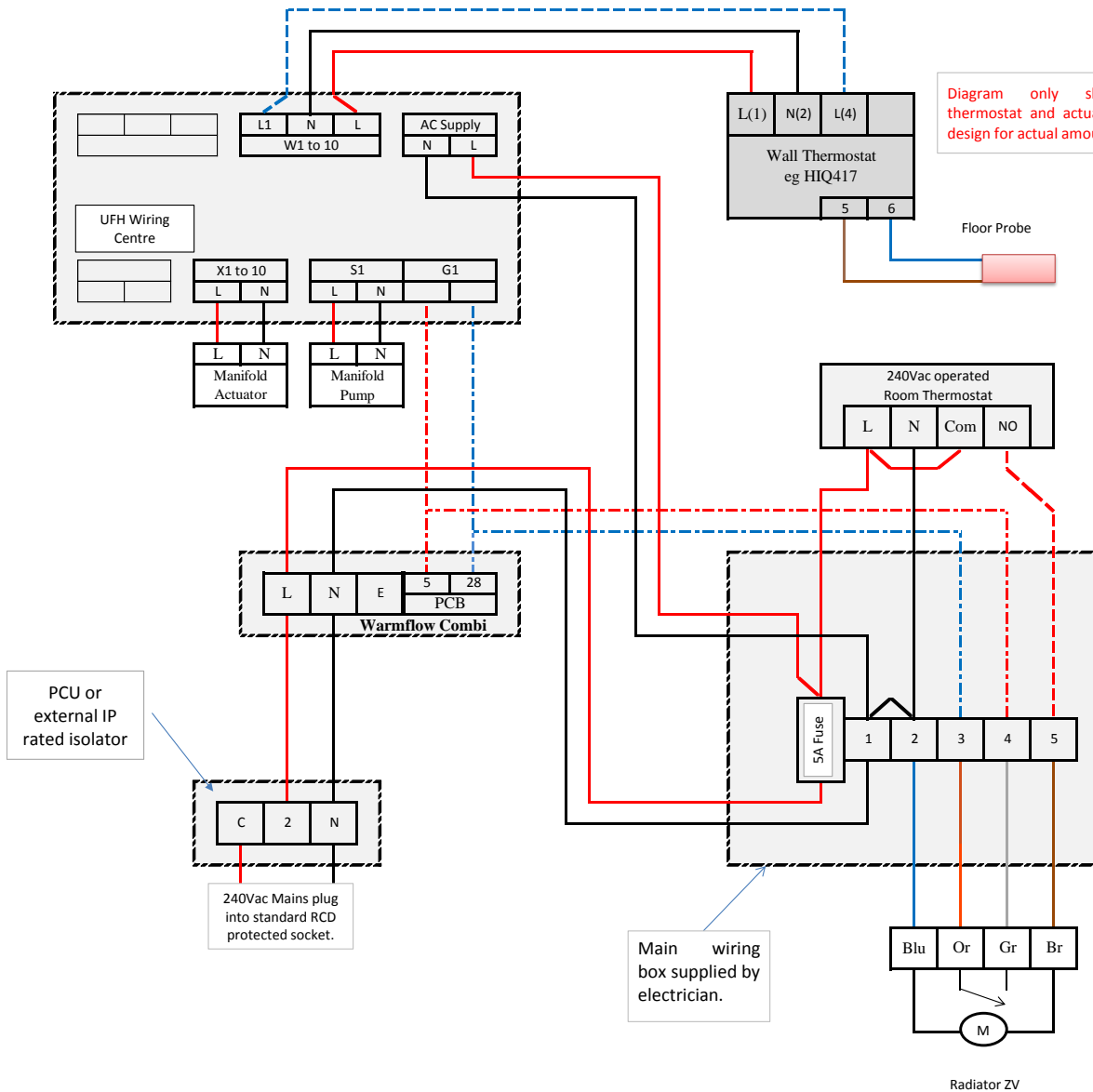


Diagram only shows one thermostat and actuator. Check design for actual amounts.

Remove the purple wire from no 5 and no 28 on the PCB within the boiler and wire the thermostat as shown. The room thermostat should be located where it is not subjected to extraneous heat gains, direct sunlight or draughts.

Generic Diagrams

Notes:-
 Earth wires are not shown for clarity. Terminal wire colours shown improve clarity of the schematic. These do not necessarily relate to the wire colour actually used. The installer is to verify that wiring meets current code for location. Diagram for guidance only. Suitability for a specific installation must be checked by the installing contractor prior to starting work since connections vary depending upon the components used.

www.heatiq.co.nz