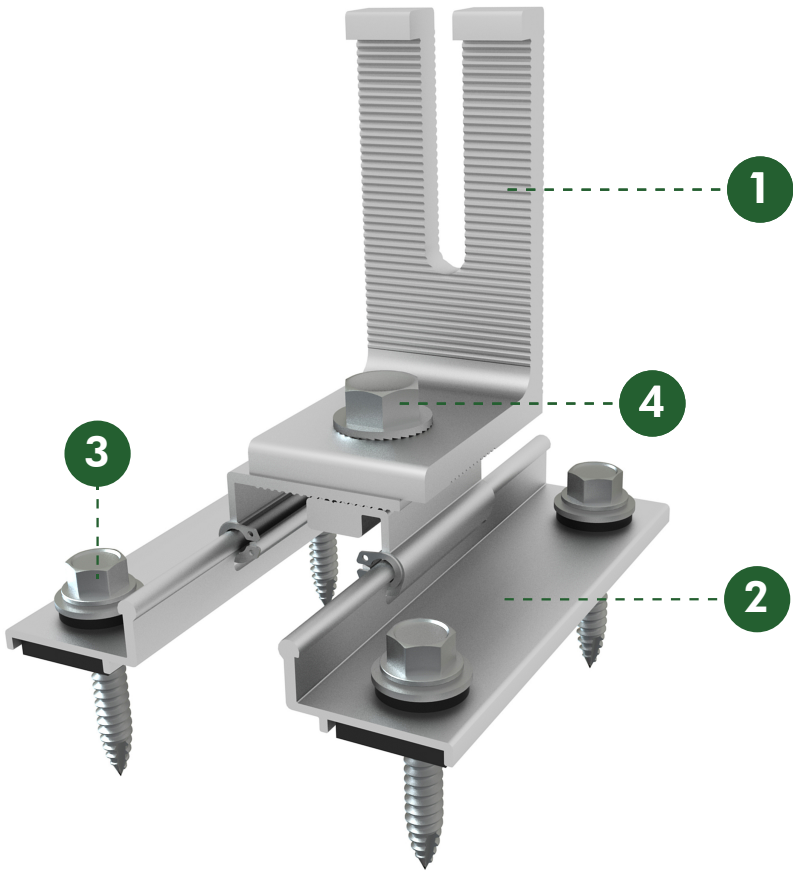


MRB Mount

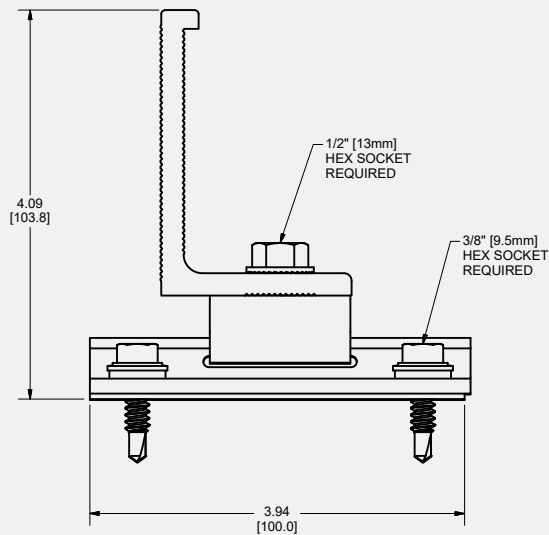
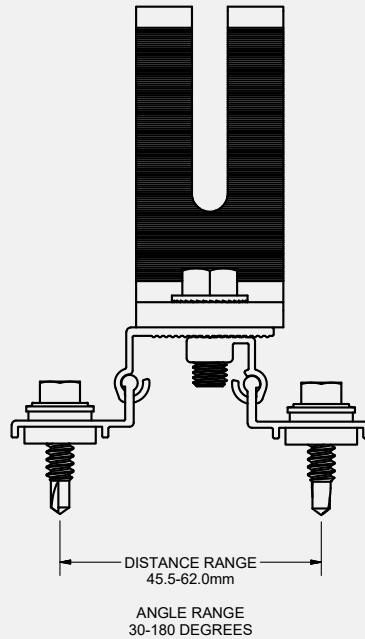


Part Description: MRB Mount  
Part No: K50563-001

Item No.	Description	Qty in Kit
1	Open Slot L-Foot	1
2	MRB Mount Assembly	1
3	Self-Drilling Metal Screw w/Washer	4
4	M8X16 Serrated-Flange Hex Head Screw	1

See Published data for allowable loads. Care should be taken to avoid concentrated loads during installation.

MRB Mount



Material: Aluminum and Stainless Steel hardware