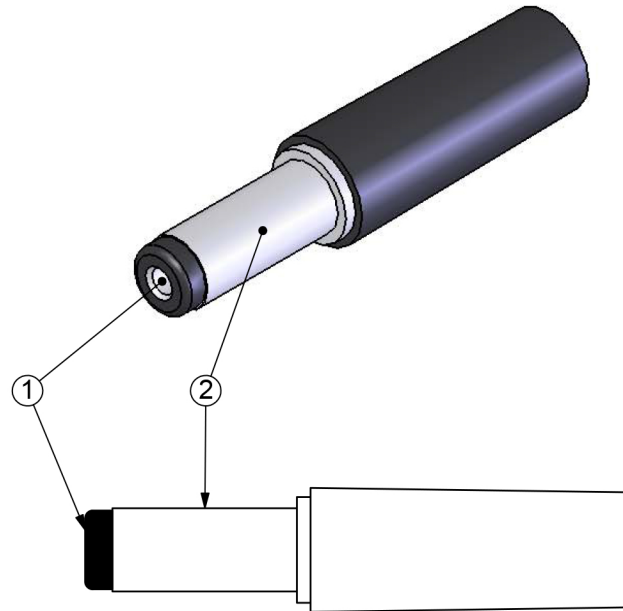


# SCHEMATIC/WIRING APPLICATION NOTES

## DC POWER PLUG



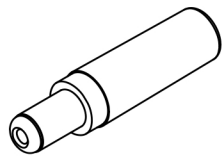
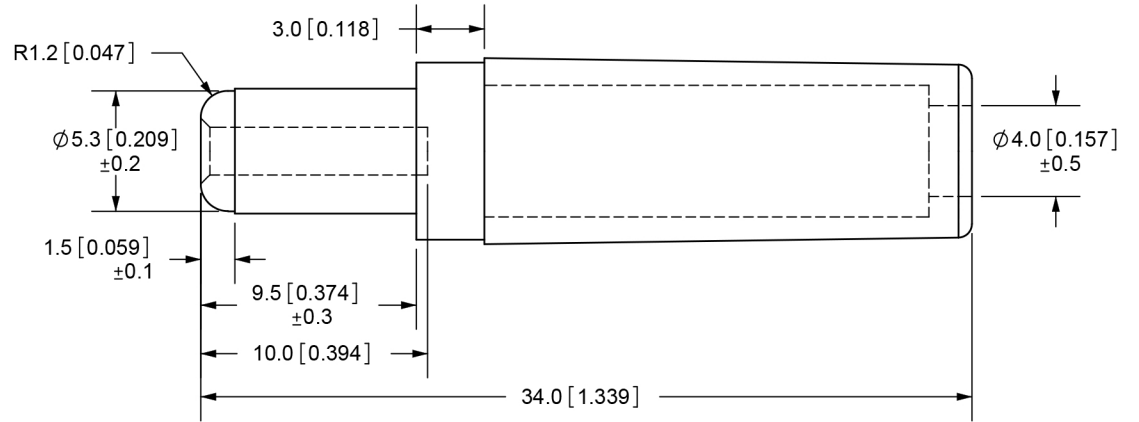
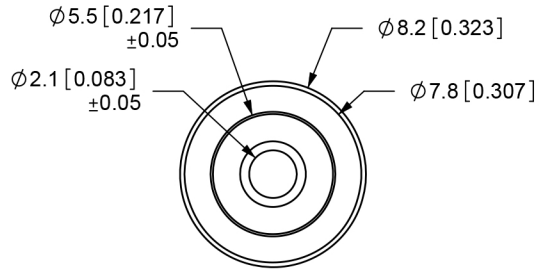
## TYPICAL DC POWER JACK SCHEMATIC\*



PINS 1, 2 CORRESPOND TO PLUG CONTACTS ABOVE.  
PIN 3 IS NORMALLY A CLOSED SWITCH CONNECTED  
TO THE CONTACT SHOWN.  
THE SWITCH OPENS WHEN A PLUG IS INSERTED.

\*PLEASE NOTE PIN NUMBERING MAY VARY FOR INDIVIDUAL CUI JACKS

REV.	DESCRIPTION	DATE
A	NEW DRAWING	3/10/2006
B	Added tolerances	8/17/2006
C	Rating change	3/23/2007



SCALE 1:1

TOLERANCE:  
±0.2mm UNLESS OTHERWISE  
SPECIFIED



SPECIFICATIONS:  
RATING: 24V DC @ 5A  
OPERATING TEMP: 0° ~ +40°C



20050 SW 112th Ave.  
Tualatin, OR 97062  
Phone: 503-612-2300  
800-275-4899  
Fax: 503-612-2383  
Website: www.cui.com

	MATERIAL	PLATING
BARREL	Brass	Nickel
INSULATOR	POM	Black Color
HOUSING	ABS	

TITLE: DC PLUG		REV: C
PART NO. PP3-002A		UNITS: MM [INCHES]
DRAWN BY: ZRJ	APPROVED BY:	SCALE: 3:1

PC FILE NAME:  
PP3-002A

COPYRIGHT 2009 BY CUI INC.