

# QUAD-LED DMX DIMMER

## 4 CHANNEL X 5 AMP DMX512 DECODER

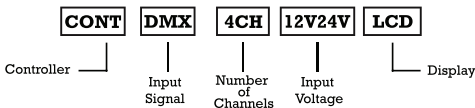
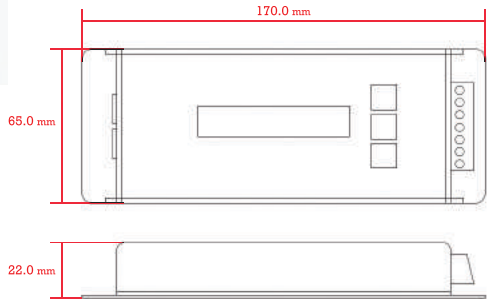
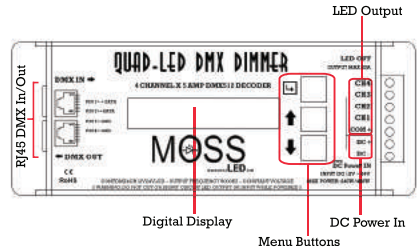


Thank you for purchasing the **QUAD-LED DMX DIMMER!**

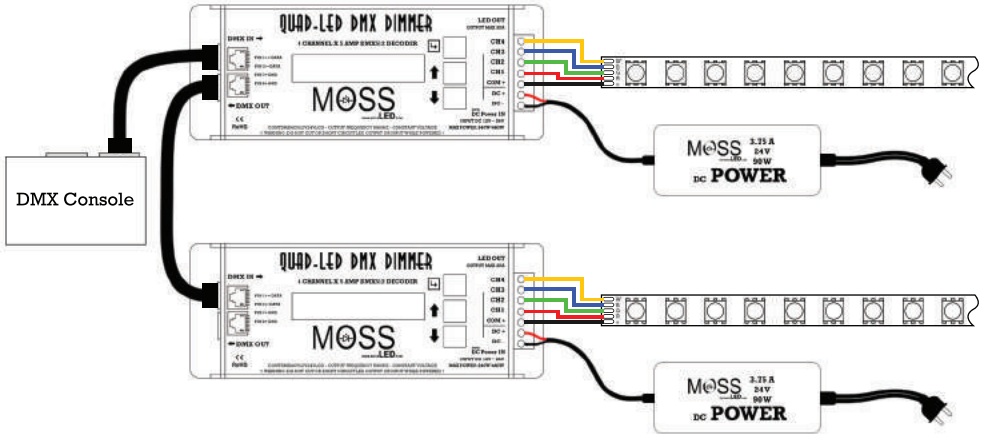
It has all the features our film, television, and theatrical friends have been asking for. A simple, four channel plug and play DMX controller with manual mode.

### TECHNICAL SPECIFICATIONS

Supply Voltage:	12V / 24V DC
Output Power:	5 Amps per Channel (20A MAX) 240 Watts / 480 Watts
PWM Frequency:	5KHz OR 2.4/4.8/7.2 KHz
Connections:	DMX-512/1990 Digital Signal Output Phoenix Connector
Resolution:	8Bit
Temperature:	0°C to +70°C
Gross Weight:	300g
IP Rating	IP40



# WIRING DIAGRAM



## OPERATION

### Set DMX Address

Press the key, use the keys to set the required address.

When the DMX address is set to 000, the output will cycle through all channels then hold all channels on for 4 seconds before it repeats.

### Manual Mode

Press the key twice so that the arrow () is on the bottom line of the display, pointing to "DIMMERch1 : 000"

Use the keys to set brightness level from 0 to 255.

Press the key to switch to scroll to second and third and fourth channels.

To go back to DMX Mode press the key till the arrow () is on the first line of the display, pointing to "DMX ADDR : 001"