



HUNTING BEAST GEAR

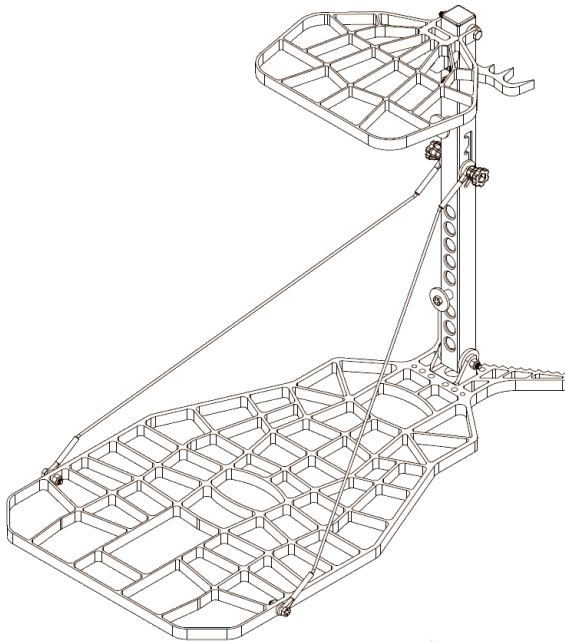
P.O. Box 139 Lannon, WI 53046 Phone: (262) 293-6412

www.huntingbeastgear.com



HUNTING BEAST GEAR

BEAST GEAR HANG-ON



**FAILURE TO FOLLOW THESE INSTRUCTIONS COULD CAUSE SERIOUS INJURY OR DEATH.
ALWAYS WEAR APPROVED FALL ARREST SYSTEM WHEN USING ANY TREE STAND THAT
MEETS THE REQUIREMENTS OF TEST METHOD F2337.**

IF YOU DO NOT UNDERSTAND ANY OF THESE INSTRUCTIONS,

CALL CUSTOMER SERVICE: (262) 293-6412 OR VISIT OUR WEB SITE: WWW.HUNTINGBEASTGEAR.COM



HUNTING BEAST GEAR

P.O. Box 139 Lannon, WI 53046 **Phone:** (262) 293-6412

www.huntingbeastgear.com

WARNING!

You must read and understand all of the following instructions before first use.

Failing to do so could result in serious injuries and even death.

Any questions please call (262) 293-6412.

WARNING!

- Make sure you have read and understand all instructions.
- Practice first at ground level.
- Always wear an approved fall arrest system when using any tree stand that meets the requirements of test method F2337
- Do not use while intoxicated or when taking medications that may cause drowsiness.
- Do not attach to loose or rotten bark.
- Do not use on dead trees, metal poles, or utility poles.
- Avoid use during wet or icy conditions, or during lightning storms.
- Haul gun or bow up from ground after climbing tree.
- Platform is designed to hold one person only.
- Do not jump on platform or seat.
- Do not stand on seat.
- Do not attempt to alter product in any way.
- Never rely on a tree branch for support.
- Avoid use if you are not well rested.
- Maximum load is 275 pounds, except where otherwise noted.
- Never use a treestand while feeling ill, nauseous, dizzy, or if you have a prior medical condition that could cause a medical issue. This includes but is not limited to heart conditions, joints that lock-up, spinal fusions.
- Always inform an outside party of your chosen hunting location, where the treestand will be located and the expected duration of the hunt.
- A signal device such as a mobile phone, radio, whistle, signal flare or personal locator device (PLD) must be on your person and readily available at all times.
- Inspect the treestand and all safety devices each time before use and do not store a treestand outdoors when not in use.
- Instructions (written and video) should be kept in a safe location and reviewed at least annually. It is the responsibility of the treestand owner to provide the complete instructions to any person who borrows or purchases the treestand.
- Treestands are recommended for use on trees a minimum of 8" diameter to a maximum of 24" diameter.
- Treestand instructions both written and video can be found at www.huntingbeastgear.com
- Treestand instructions can be accessed on your mobile phone or computer by scanning the QR code below.



FAILURE TO FOLLOW THESE INSTRUCTIONS COULD CAUSE SERIOUS INJURY OR DEATH. ALWAYS WEAR APPROVED FALL ARREST SYSTEM WHEN USING ANY TREE STAND THAT MEETS THE REQUIREMENTS OF TEST METHOD F2337.

IF YOU DO NOT UNDERSTAND ANY OF THESE INSTRUCTIONS,

CALL CUSTOMER SERVICE: (262) 293-6412 OR VISIT OUR WEB SITE: WWW.HUNTINGBEASTGEAR.COM



HUNTING BEAST GEAR

P.O. Box 139 Lannon, WI 53046 **Phone:** (262) 293-6412

www.huntingbeastgear.com

QR Code Treestand Instructions

BEAST GEAR HANG-ON TREESTAND TREESTAND ANTLER BRACKET INSTALLATION

Parts List (included):

1. (1) Beast Gear Hang-On Treestand Antler Bracket
2. (1) 1/4-20 X 2.0" Hex Head Cap Screw
3. (1) 1/4-20 Nylon Lock Nut

Tools List (not included):

1. (1) 7/16 wrench
2. (1) 1/4" 7/16 socket driver



Installation Instructions:

1. Align the antler bracket slot and hole to the 3rd hole on the treestand seat post tube.
2. Slide the 1/4-20 X 2.0" Hex Head Cap Screw through the antler bracket and treestand tube, locking the hex head into the antler bracket.
3. Fasten and tighten the 1/4-20 Nylon Lock Nut to the exposed end of the 1/4-20 X 2.0" Hex Head Cap Screw. Tighten the nut until the antler bracket is secured tightly to the treestand seat post. There should be no space between the seat post and antler bracket

FAILURE TO FOLLOW THESE INSTRUCTIONS COULD CAUSE SERIOUS INJURY OR DEATH. ALWAYS WEAR APPROVED FALL ARREST SYSTEM WHEN USING ANY TREE STAND THAT MEETS THE REQUIREMENTS OF TEST METHOD F2337.

IF YOU DO NOT UNDERSTAND ANY OF THESE INSTRUCTIONS,

CALL CUSTOMER SERVICE: (262) 293-6412 OR VISIT OUR WEB SITE: WWW.HUNTINGBEASTGEAR.COM

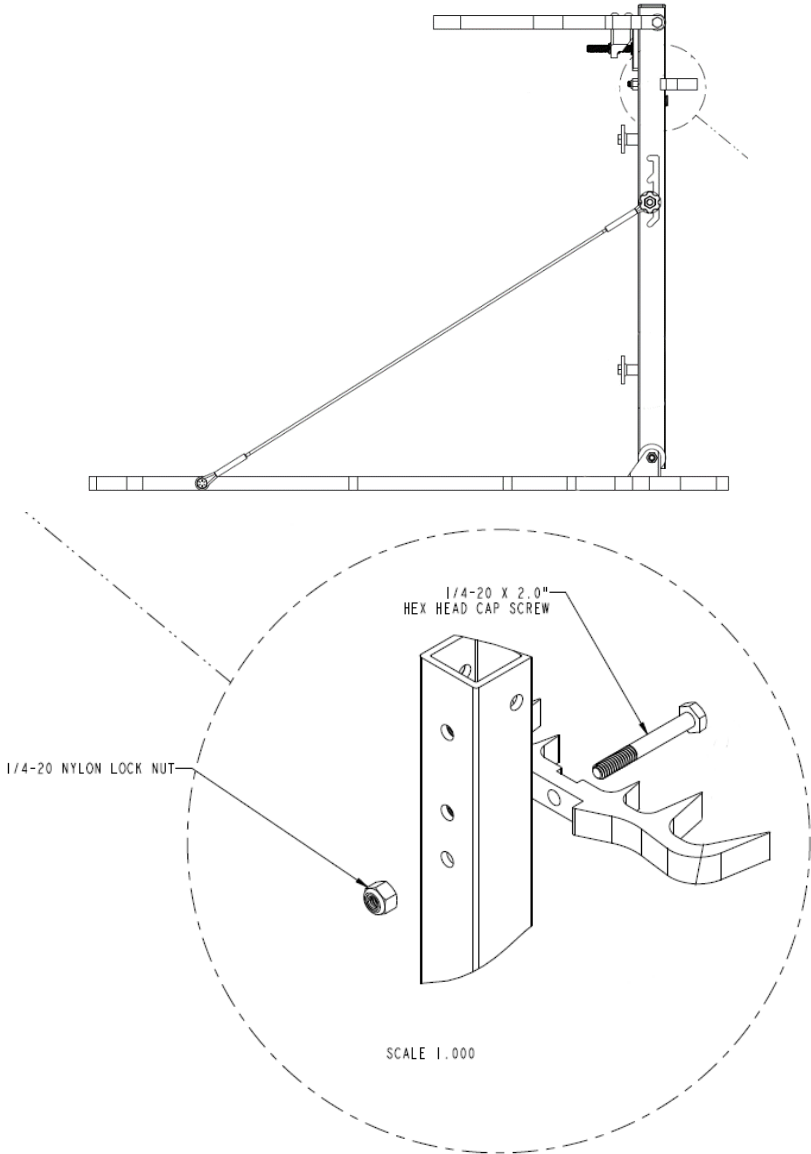


HUNTING BEAST GEAR

P.O. Box 139 Lannon, WI 53046 Phone: (262) 293-6412

www.huntingbeastgear.com

BEAST GEAR HANG-ON TREESTAND TREESTAND ANTLER BRACKET INSTALLATION



ALWAYS WEAR APPROVED FALL ARREST SYSTEM WHEN USING ANY TREE STAND THAT MEETS THE REQUIREMENTS OF TEST METHOD F2337.

IF YOU DO NOT UNDERSTAND ANY OF THESE INSTRUCTIONS,

CALL CUSTOMER SERVICE: (262) 293-6412 OR VISIT OUR WEB SITE: WWW.HUNTINGBEASTGEAR.COM