



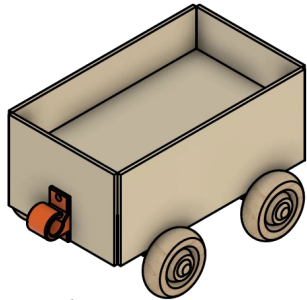
0.5-1 hour



Grit required

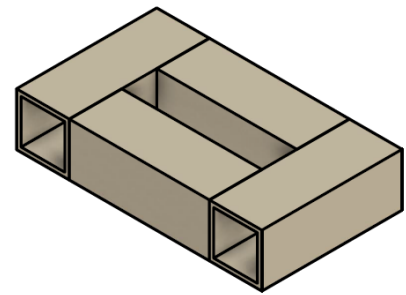
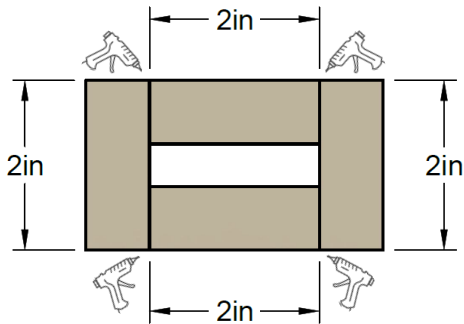


Ages 5+

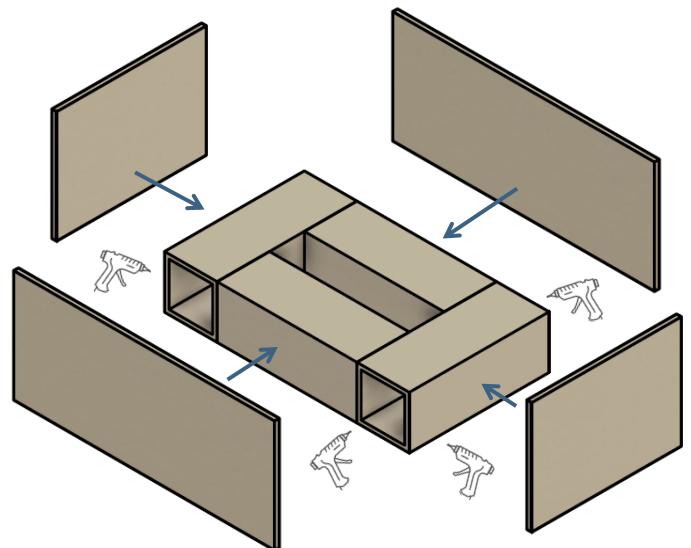
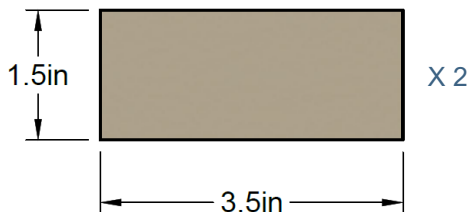
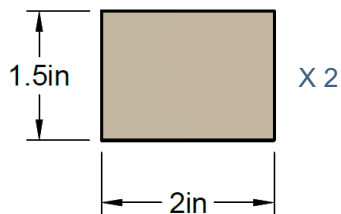


Part	PN	Part name	Qty
	1001	Cori Beam 12in	2
	2004	Snap In Bracket for 1/4" Dowel	4
	2006	Hook 1/4" Dowel	1
	9004	Classic Wood Wheel 1" x 3/8" x 1/4"	4
	9023	Dowel pin 1/4" x 3" Fluted	2

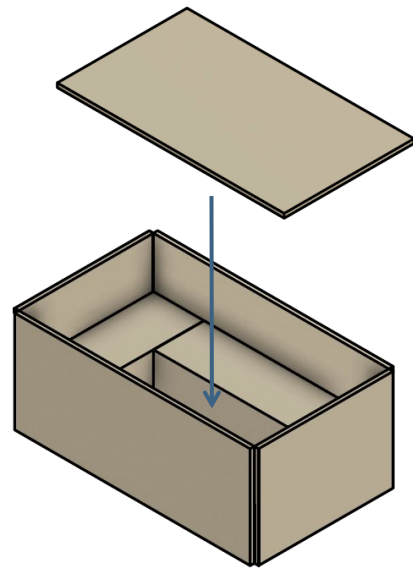
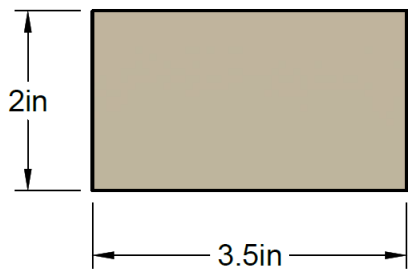
1 Cut and fold four 2 inch Cori sheets to the dimensions below to form the frame. Glue where indicated.



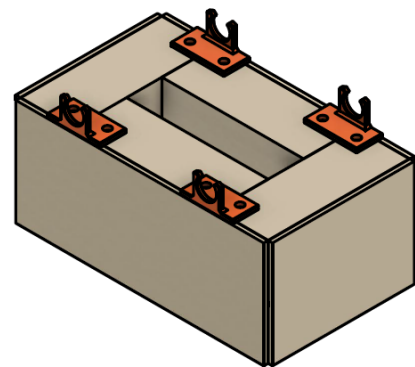
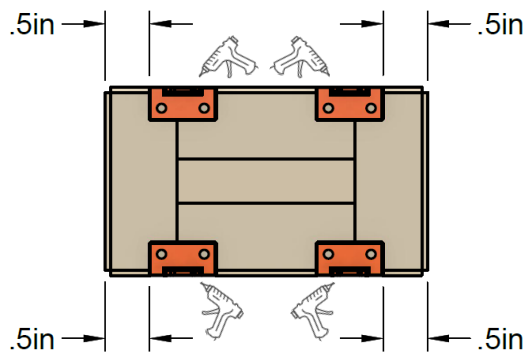
2 Cut four pieces of flat cardboard to the dimensions below for the walls of the wagon. Glue in place.



- 3 Cut a flat cardboard piece to the dimensions below for the wagon floor. Glue in place.

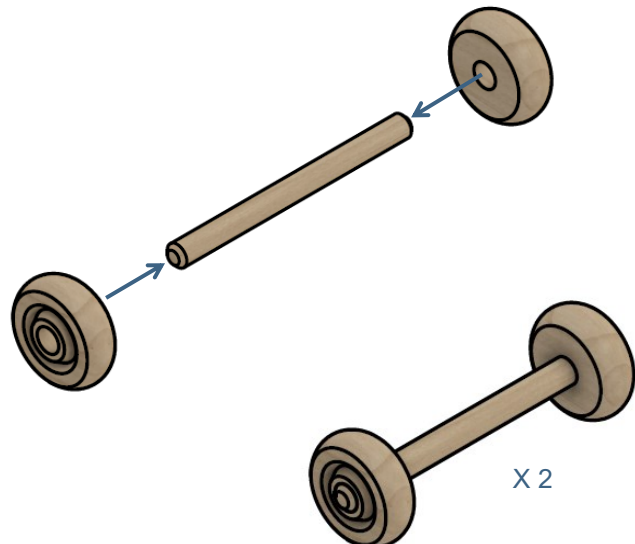
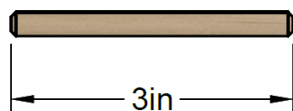


- 4 Flip the wagon over and glue the four snap in brackets to the bottom of the frame as shown.

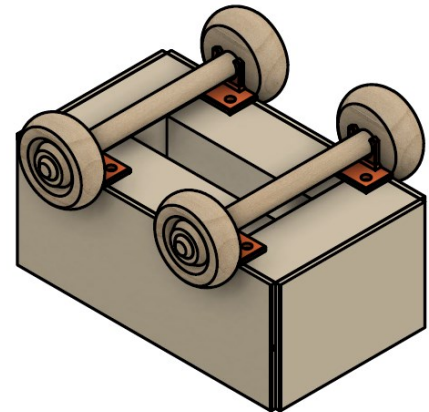
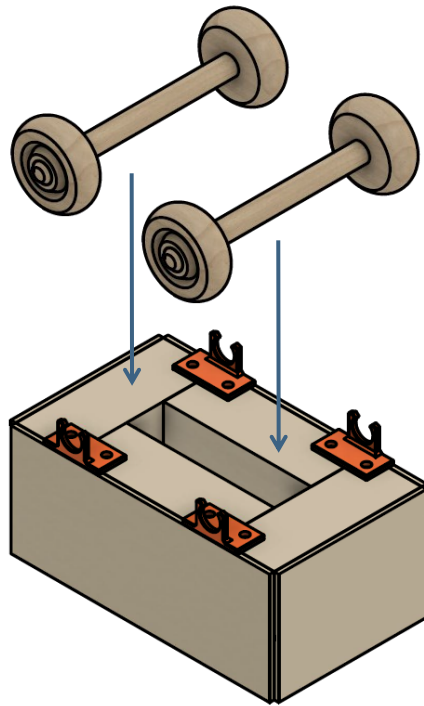


Wagon shown upside down

- 5 Press a wheel on each end of both 3 inch dowels. Use glue if needed.

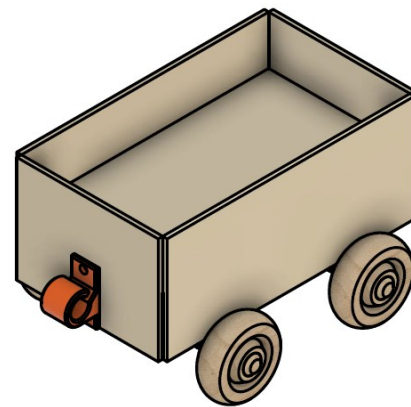
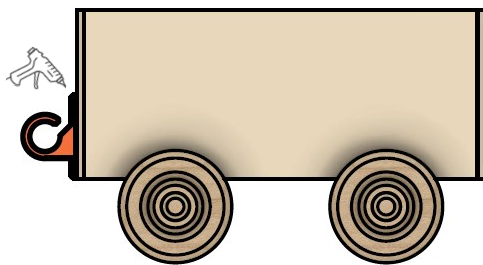


- 6 Snap the two wheel assemblies into the snap in brackets. The wheels should spin freely.



Wagon shown upside down

- 7 Add the hook to the front of the wagon. Glue in place.



Your wagon is now ready for the most important part—art! Use whatever art supplies you have available to make the wagon truly unique. Unleash your creativity!

CORI support is here to help. Contact us at support@coricreate.com if you have any questions or comments.

Share your designs using our hashtag #CoriCreate. Follow us on Facebook, Instagram and Twitter.