



0.5-1 hour



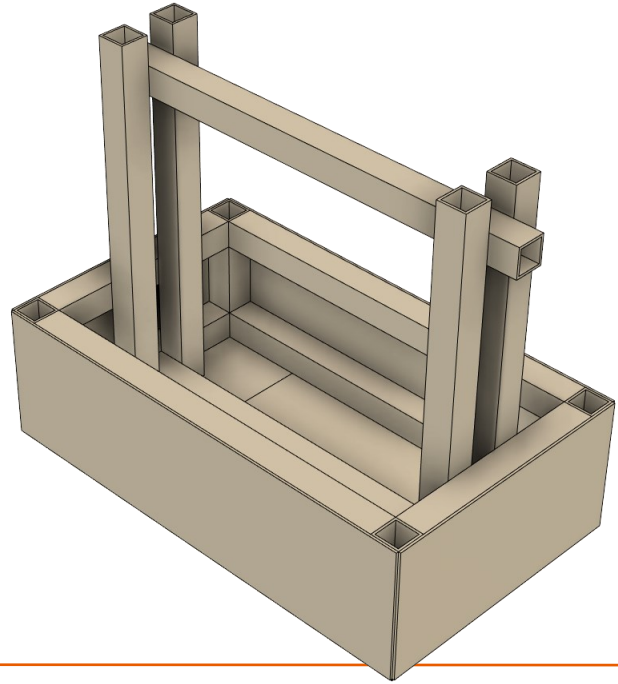
Grit required



Ages 5+

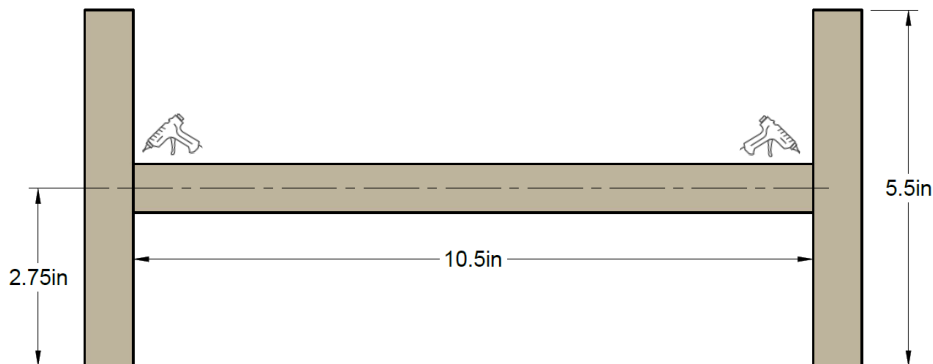
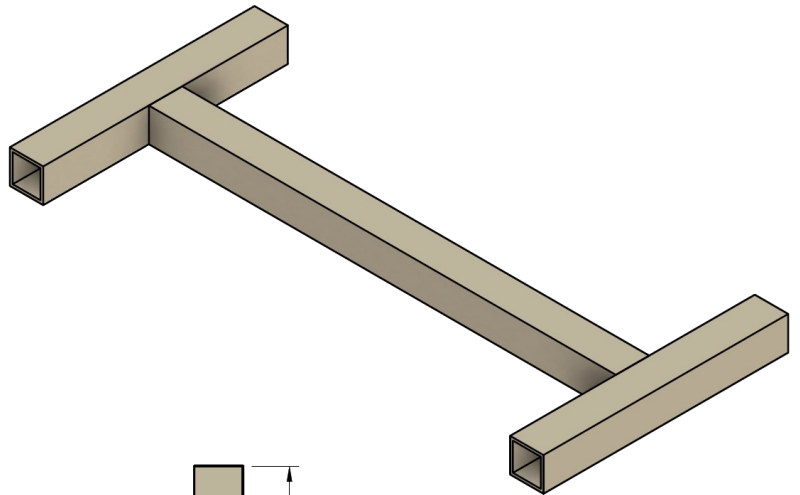


Part	PN	Part name	Qty
	1001	Cori Beam 12in	20

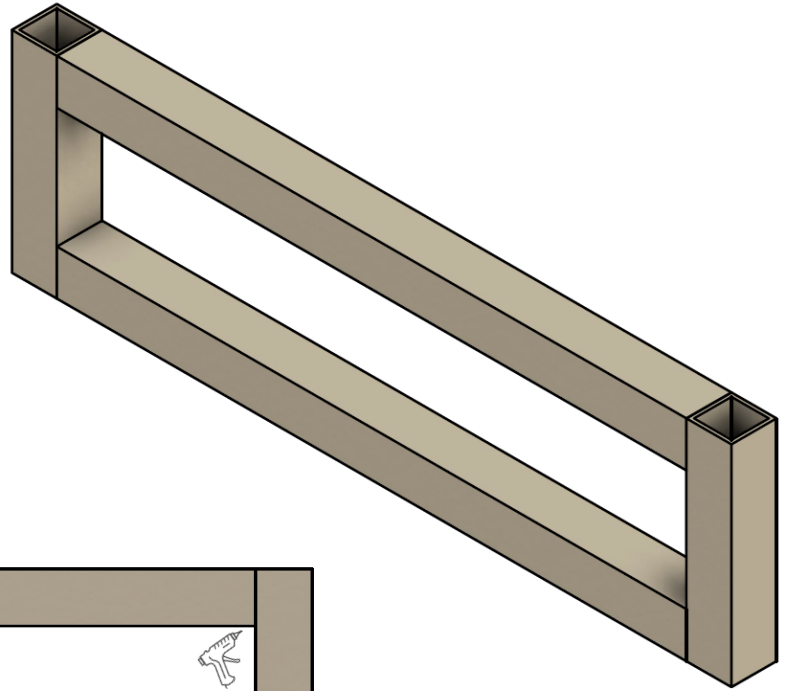
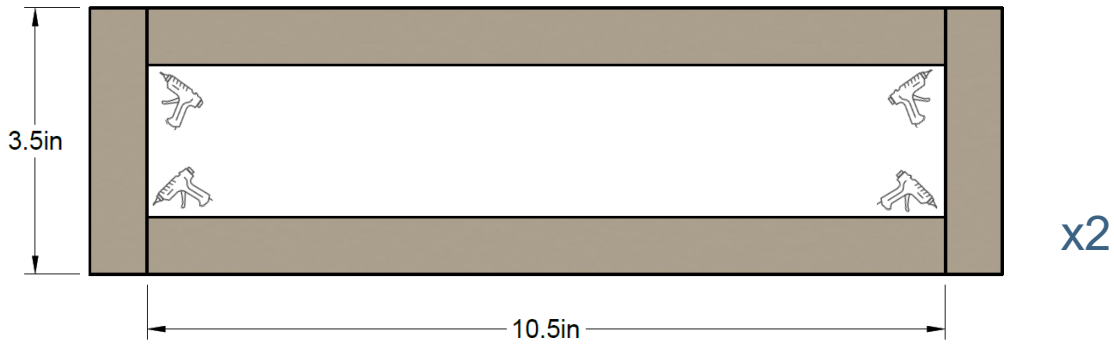


1

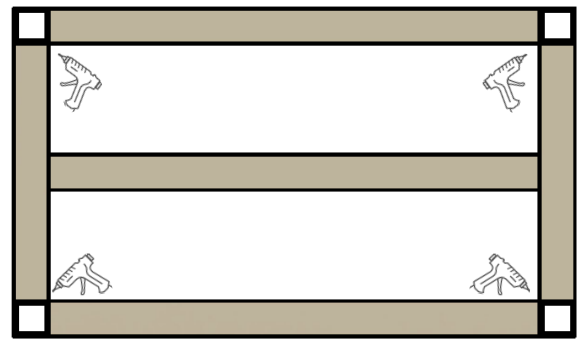
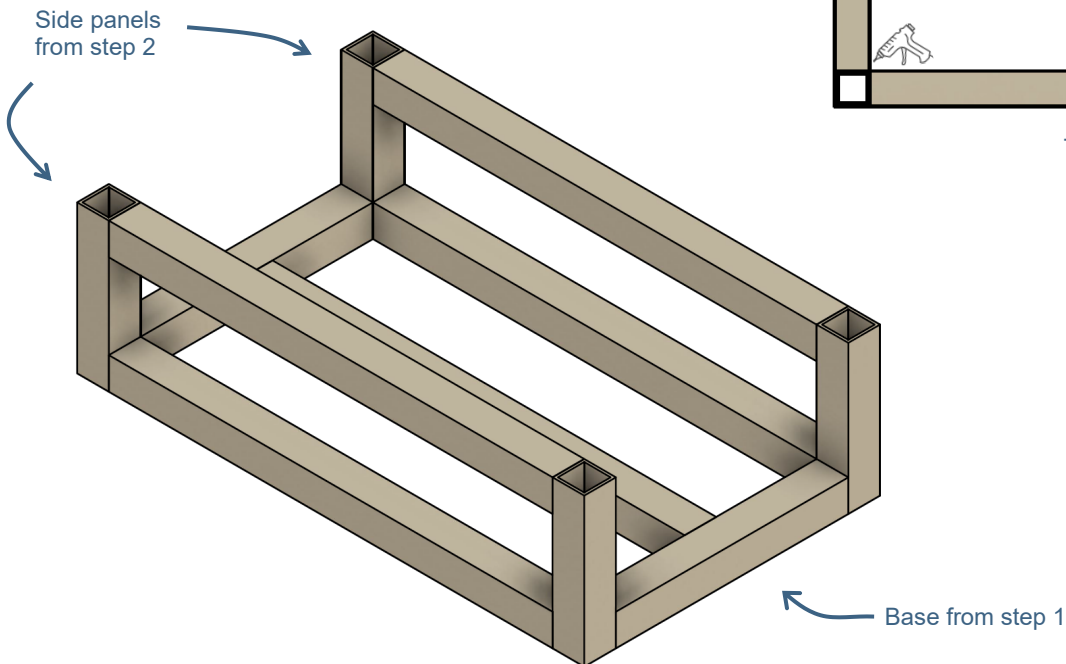
Cut and fold Cori sheets to the dimensions below to form the base. Glue where indicated.



2 Cut and fold Cori sheets to the dimensions below to form the side panels. Note that you will need two of these.



3 Glue the two side panels from step 2 to the base from step 1.

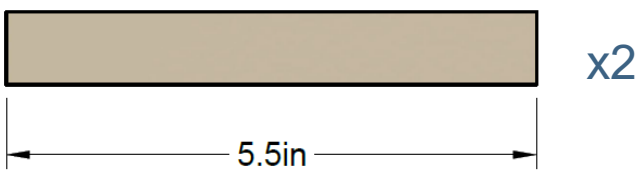
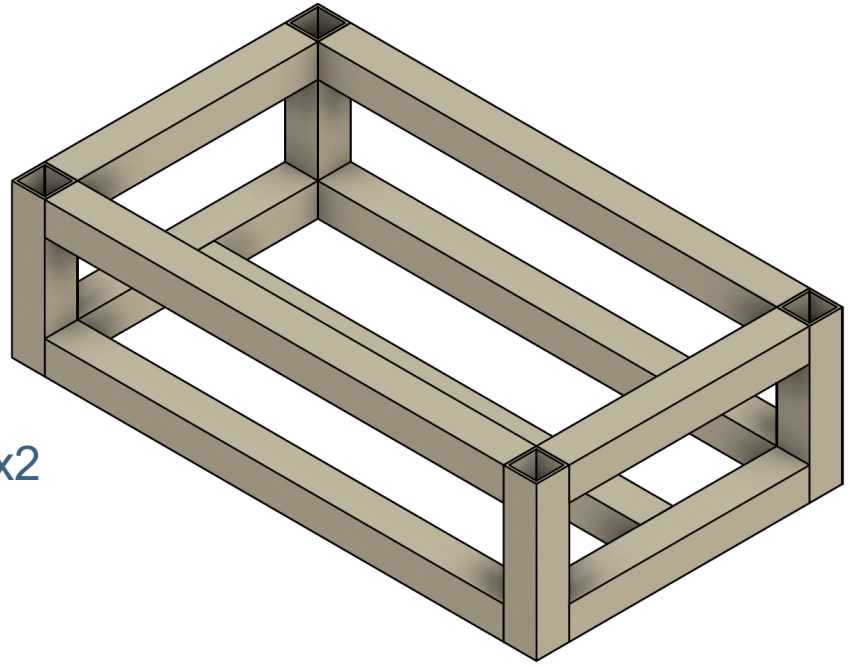


Top View

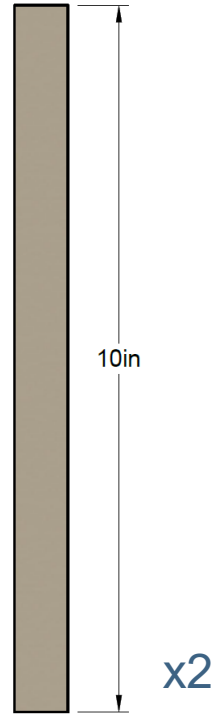
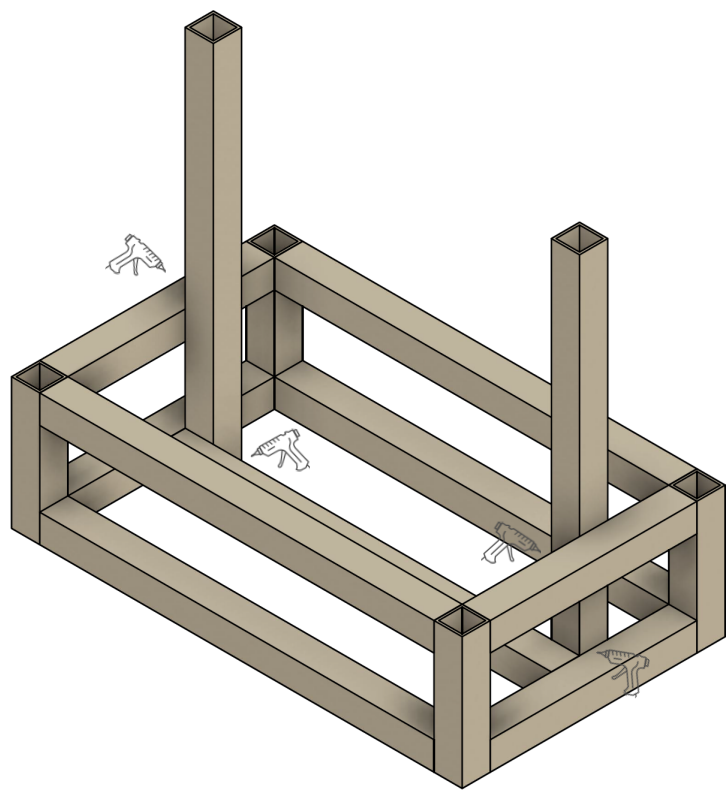
4 Add two side bars for support.
Glue where indicated.



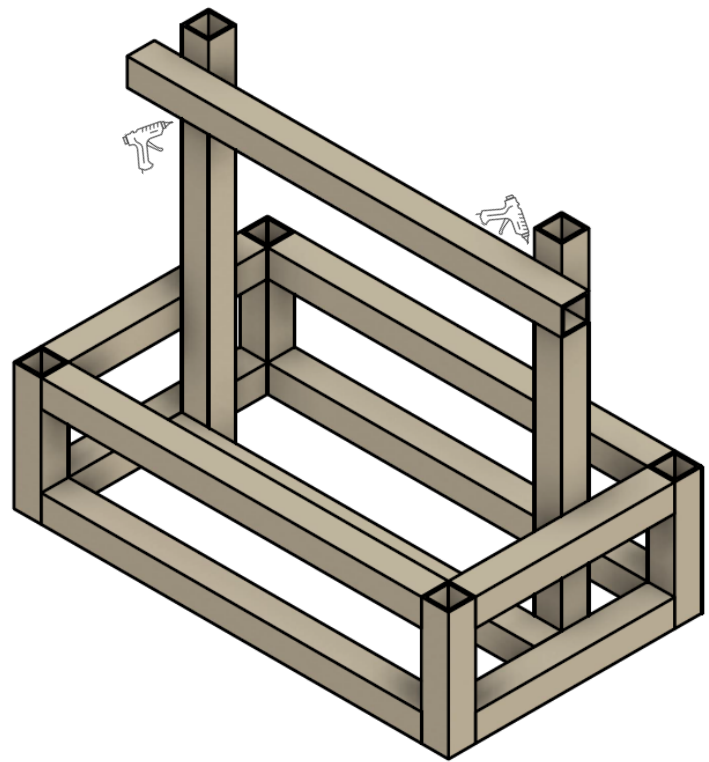
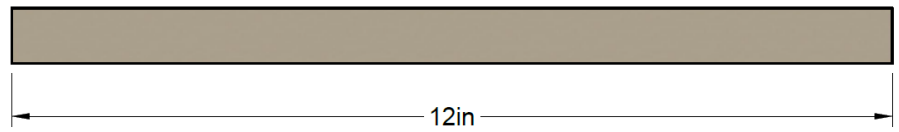
Top View



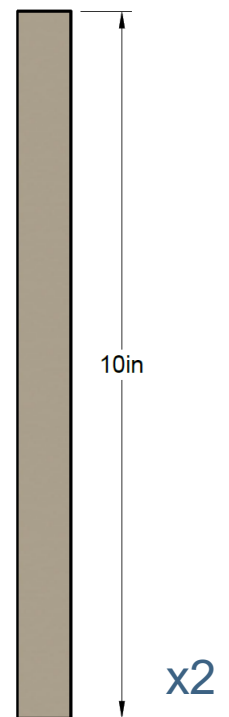
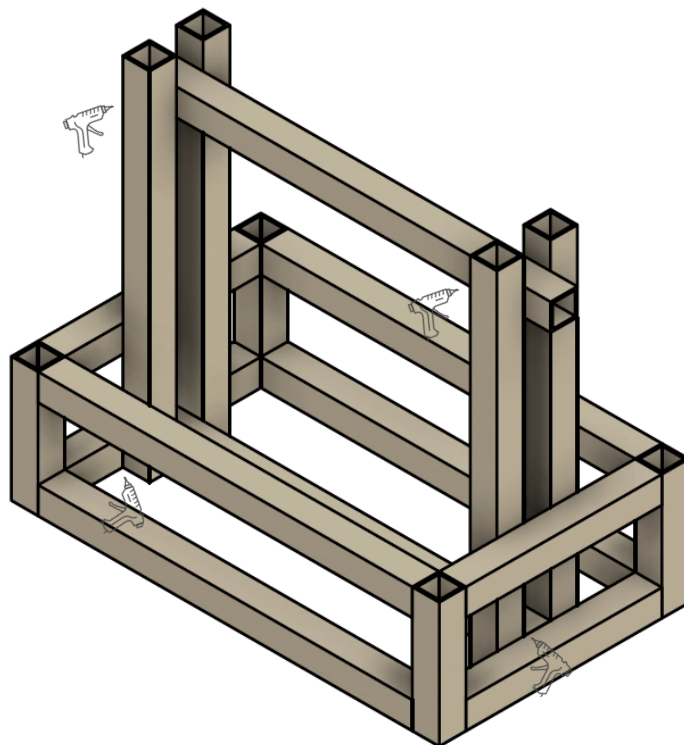
5 Glue two vertical 10 inch
beams to support the
handle.



6 Glue a 12 inch horizontal beam for the handle.

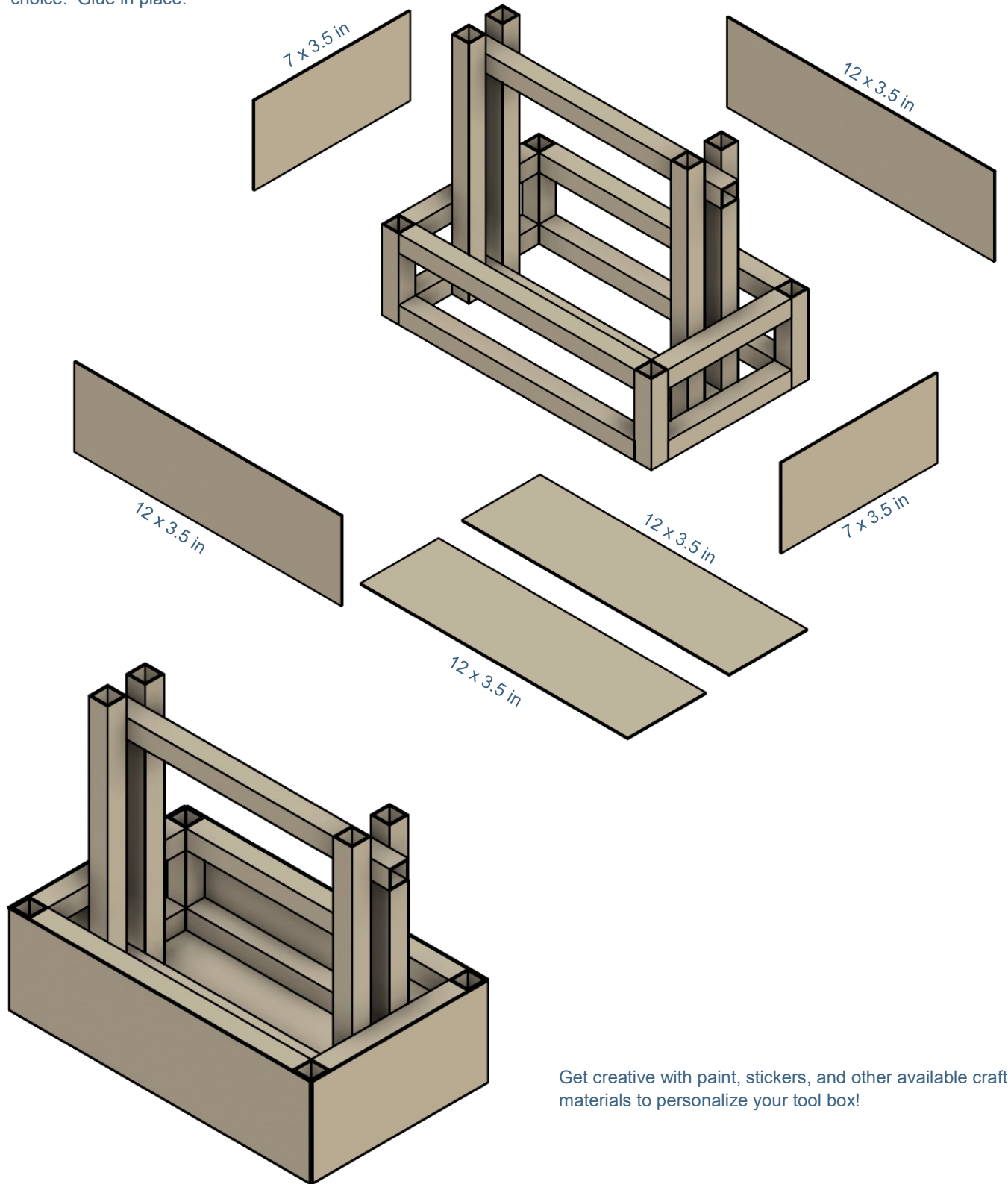


7 Glue two additional 10 inch vertical beams to complete the handle.



8

Wrap your toolbox with flat Cori sheets, cardboard, or other craft material of your choice. Glue in place.



Get creative with paint, stickers, and other available craft materials to personalize your tool box!

CORI support is here to help. Contact us at support@coricreate.com if you have any questions or comments.

Share your designs using our hashtag #CoriCreate. Follow us on Facebook, Instagram and Twitter.