



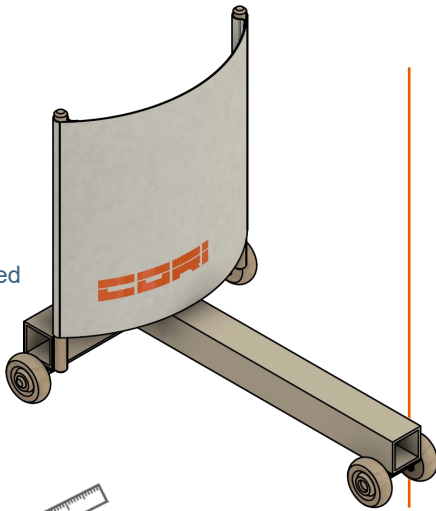
0.5-1 hour



Grit required

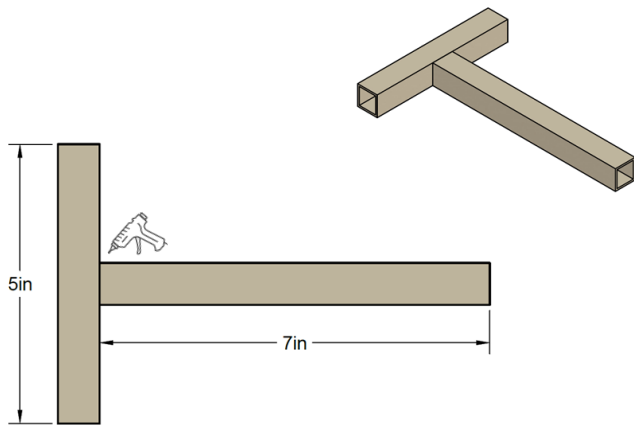


Ages 5+

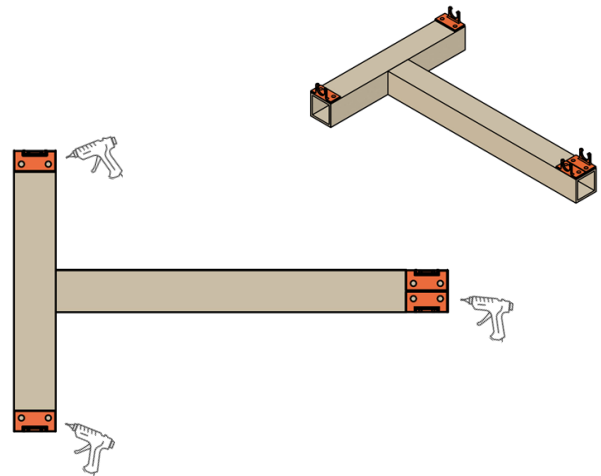


Part	PN	Part name	Qty
	1001	Cori Beam 12in	1
	2004	Snap In Bracket for 1/4" Dowel	4
	9002	Dowel Wood Round 6" x 1/4"	3
	9003	Dowel Wood Round 1 1/2" x 1/4"	1
	9004	Classic Wood Wheel 1" x 3/8" x 1/4"	4
	9012	Cori Paper Sail	1

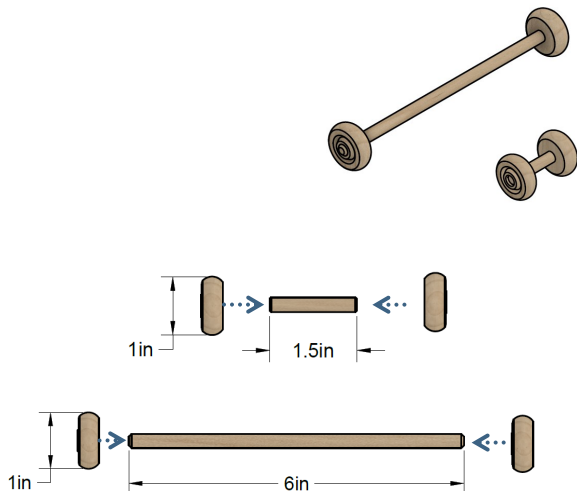
1 Cut and fold Cori sheets to the dimensions below to form the frame. Glue where indicated.



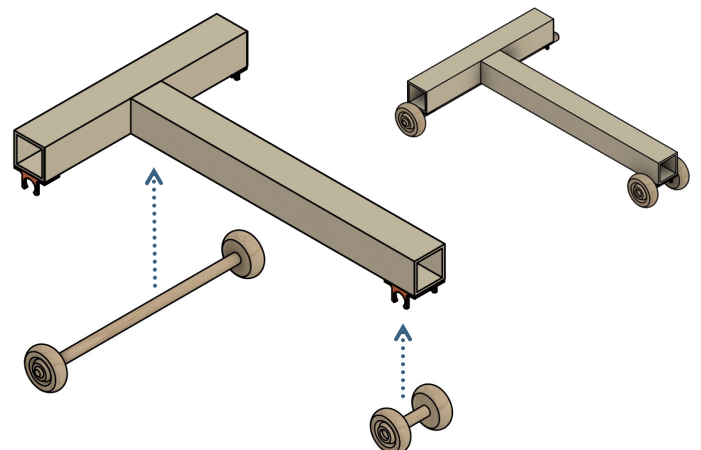
2 Glue the four dowel brackets that will hold the wheel axles. Note the orientation of the forks.



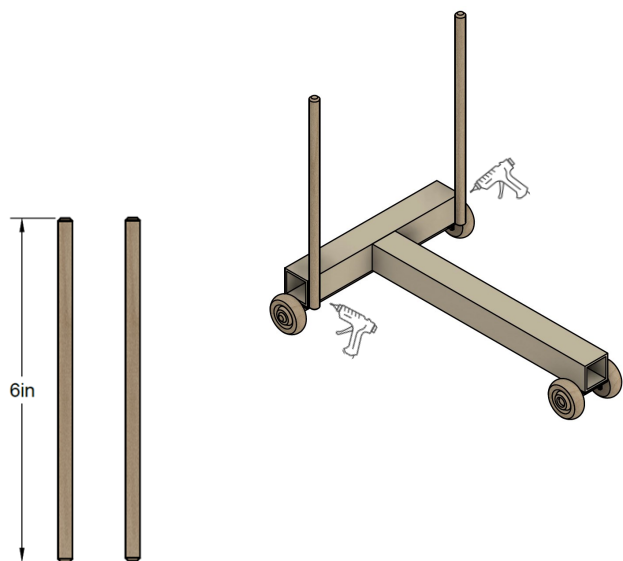
3 Assemble the wheels onto the axles (dowels). Glue if needed.



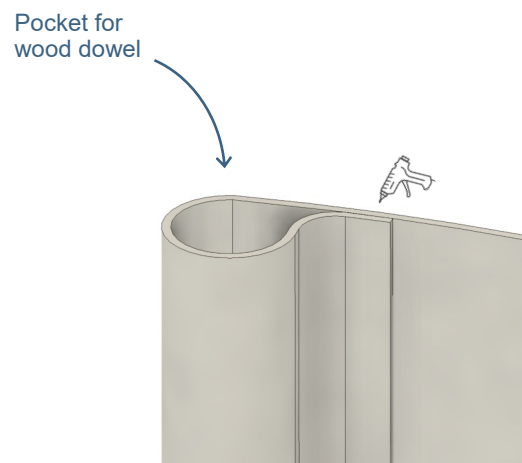
4 Flip the body from step 2 over and install the wheels from step 3. The wheels should rotate freely. Adjust if needed.



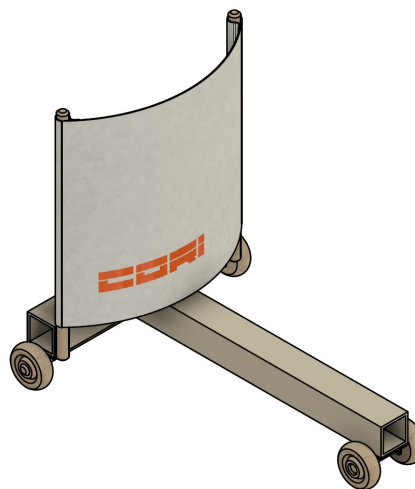
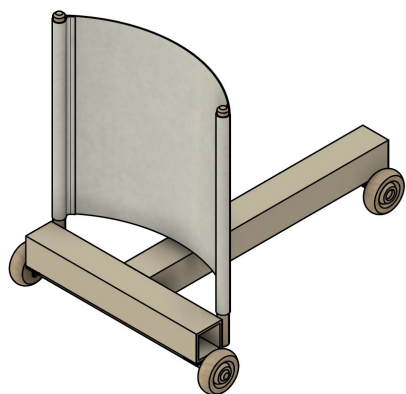
- 5 Construct the masts by gluing two dowels onto the rear frame as shown.



- 6 Fold the ends of the Cori sail (printer paper) and glue to create a pocket for the masts. This will allow you to easily install and remove the sail when experimenting with different sails. Optionally, glue sail directly to masts.



- 7 Add the Cori sail to complete your sail car. Modify and decorate your creation. Experiment with different sail materials, shapes, and sizes.



CORI support is here to help. Contact us at support@coricreate.com if you have any questions or comments.

Share your designs using our hashtag #CoriCreate. Follow us on Facebook, Instagram and Twitter.