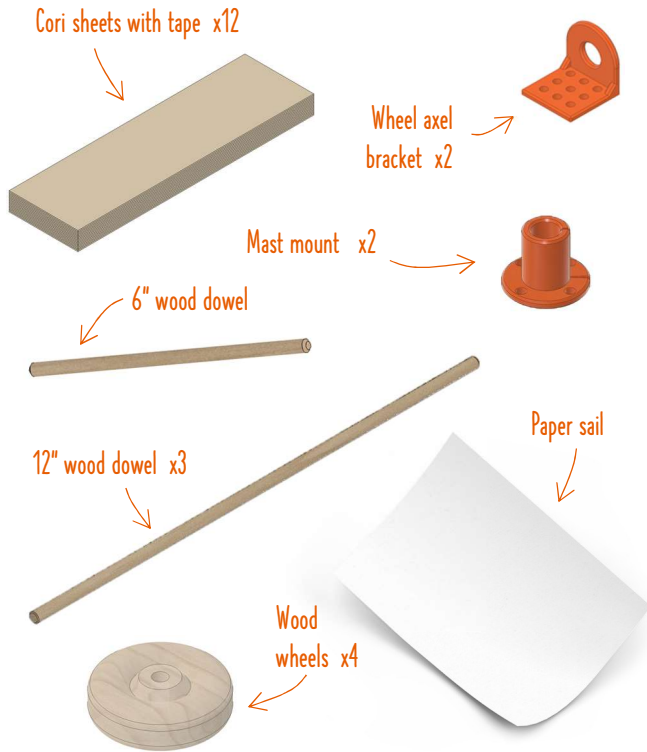
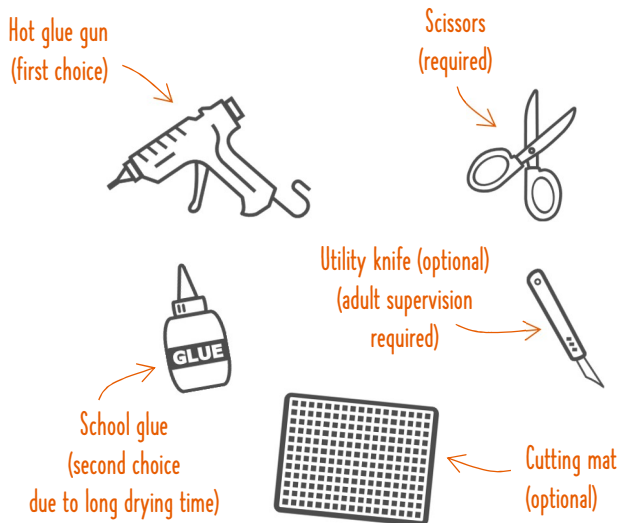


What's in the box:

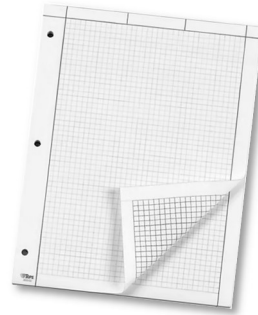


What's not in the box:



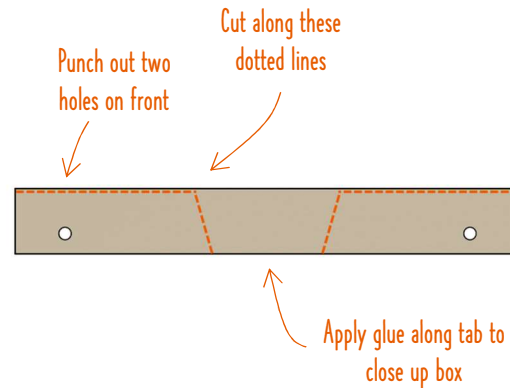
STEP 1: Sketch your design

What will your sail look like? How will you design the cockpit? What color will you paint it? What other materials can you incorporate? Make a plan to guide your design.



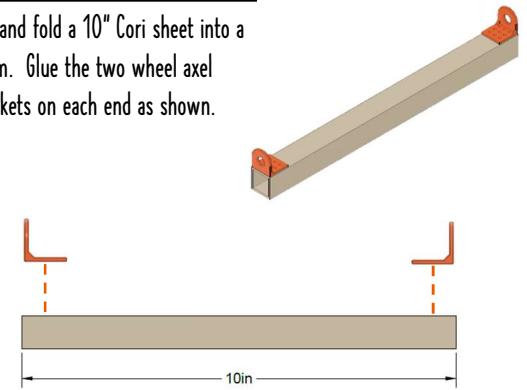
STEP 2: Prepare the main body

Use the Cori shipping box for this project. Use a wood dowel to remove the two knockout holes on one end of the box. On the box's closing tab, cut along the dotted line that expose the holes you just made. Glue the box closed. The modified box becomes the main body of the sail car.



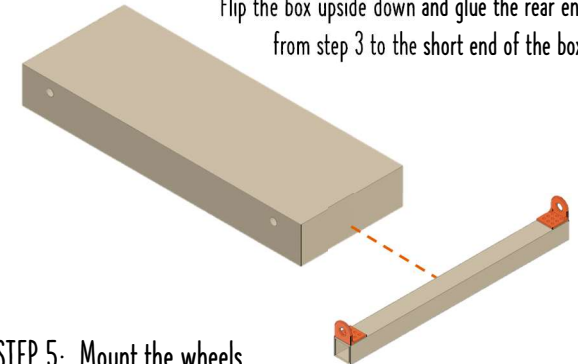
STEP 3: Construct the rear end

Cut and fold a 10" Cori sheet into a beam. Glue the two wheel axel brackets on each end as shown.



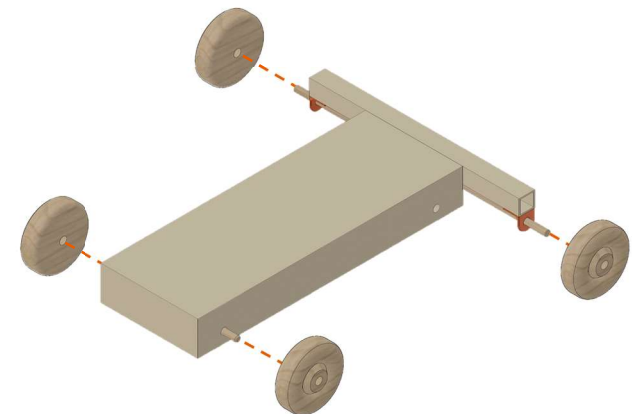
STEP 4: Install the rear end

Flip the box upside down and glue the rear end from step 3 to the short end of the box.



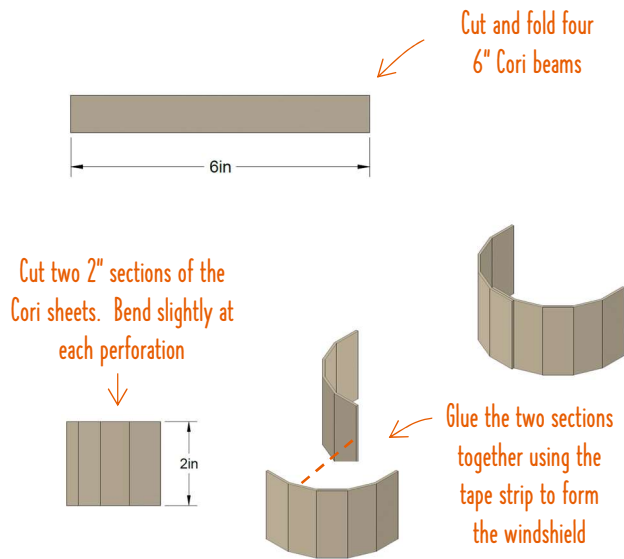
STEP 5: Mount the wheels

Flip the box back over. Slide a 6" dowel into the front holes and a 12" dowel into the rear wheel axel brackets. Mount the four wheels on each end of the dowel.



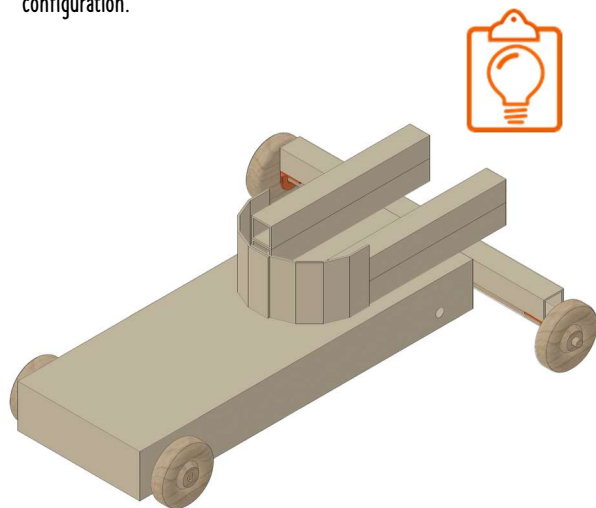
STEP 6: Prepare the cockpit parts

Get creative and make your own or follow the steps below to make a cockpit.



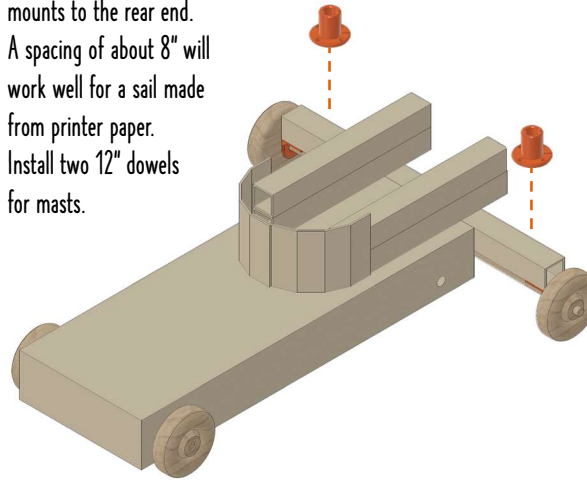
STEP 7: Assemble the cockpit

Glue the cockpit parts to the top of the vehicle in your preferred configuration.



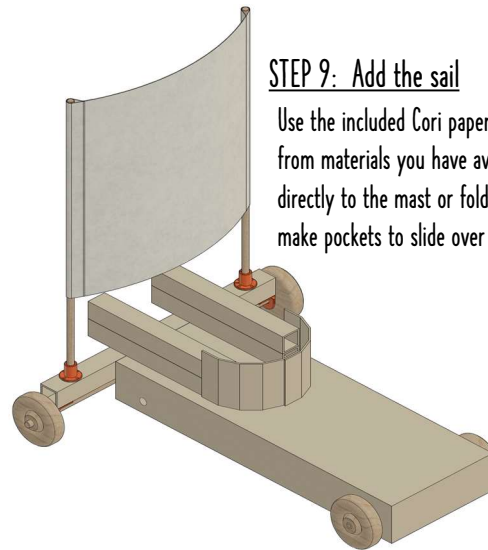
STEP 8: Install mast mounts

Glue the two mast mounts to the rear end. A spacing of about 8" will work well for a sail made from printer paper. Install two 12" dowels for masts.



STEP 9: Add the sail

Use the included Cori paper sail or make one from materials you have available. Glue sail directly to the mast or fold the sail over to make pockets to slide over the masts.



CORI support is here to help. You can reach us at support@coricreate.com if you have any questions or comments.

Share your designs using our hashtag #CoriCreate. Follow us on Facebook, Instagram, and Twitter.

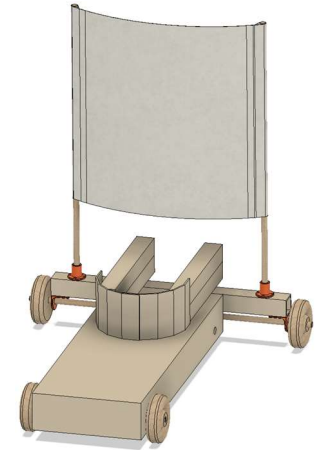
CORI
www.coricreate.com

Sail Car

Instructions

Unleashing creativity

Empower the innovator in any maker while applying real practical STEM skills. The Cori Sail Car kit is the perfect project to seed curiosity, build grit, improve spatial skills, and sharpen problem solving abilities.



Get a coach

At Cori, we believe in the value of having a coach or a mentor. Every time you see a coach's pad icon in the instructions, it is a good time to check in with your chosen coach.



Coach's pad →

Measure twice, cut once

You will construct this model from the ground up. Careful measurements, cutting, and gluing are required to complete this build. While detailed step-by-step instructions are provided, we highly encourage you to improvise and modify as you please. You may even choose to incorporate other materials along the way. But most importantly, have fun!



1-2 hours



Grit required



Ages 8+
(5+ with adult)