



0.5-1 hour

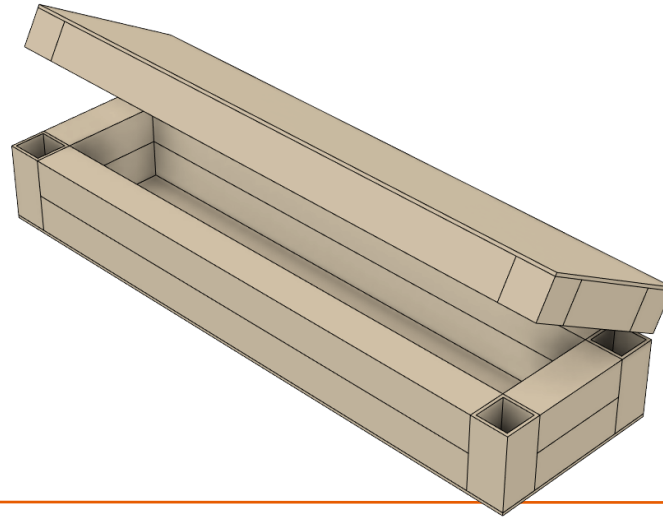


Grit required



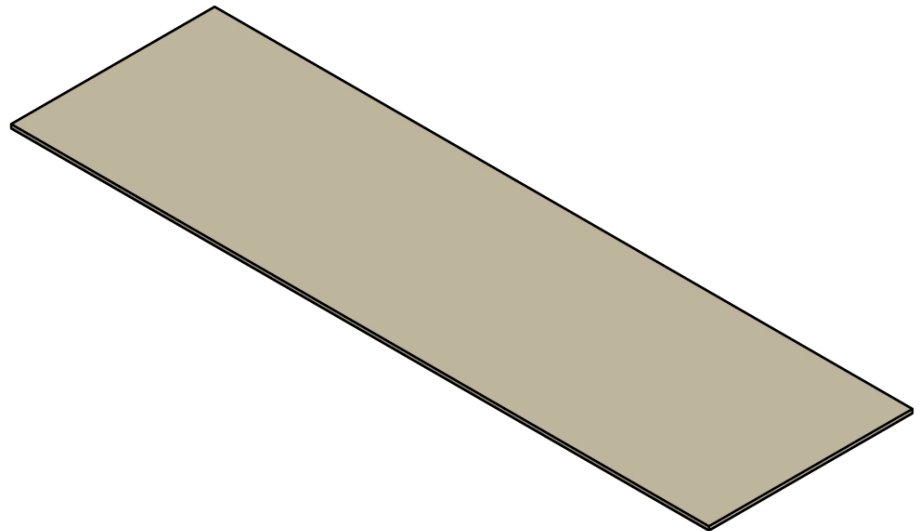
Ages 5+

Part	PN	Part name	Qty
	1001	Cori Beam 12in	9
	2012	Hinge Low Profile	2



1

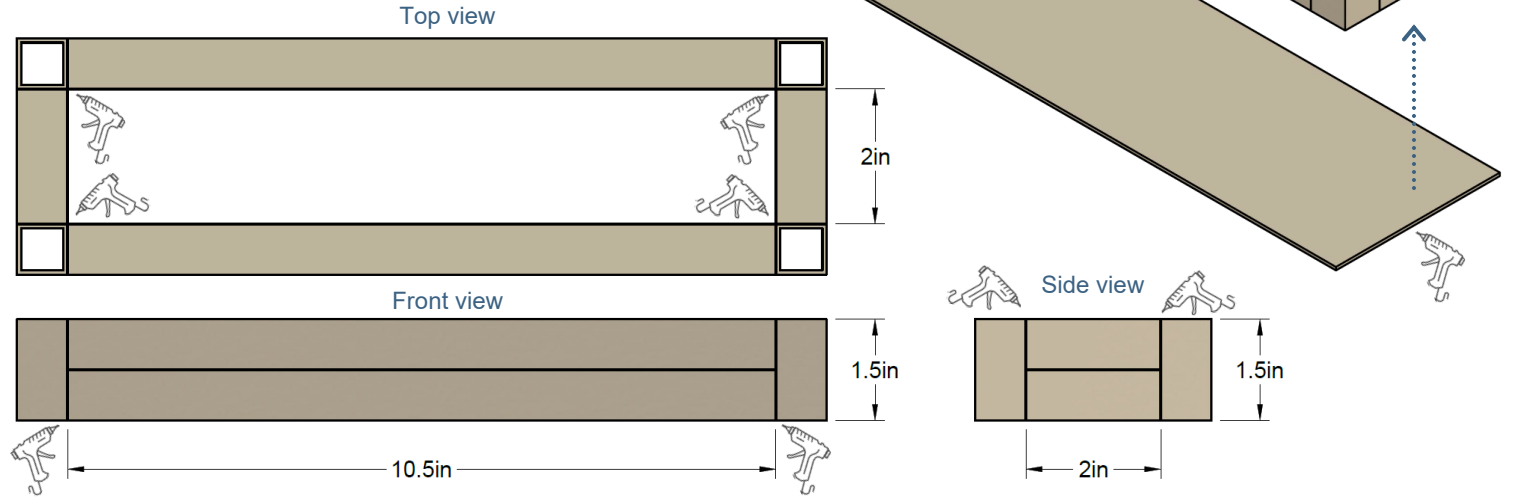
For the bottom and top pieces, use two Cori sheets or cut two sheets of cardboard to the dimensions below.



x2

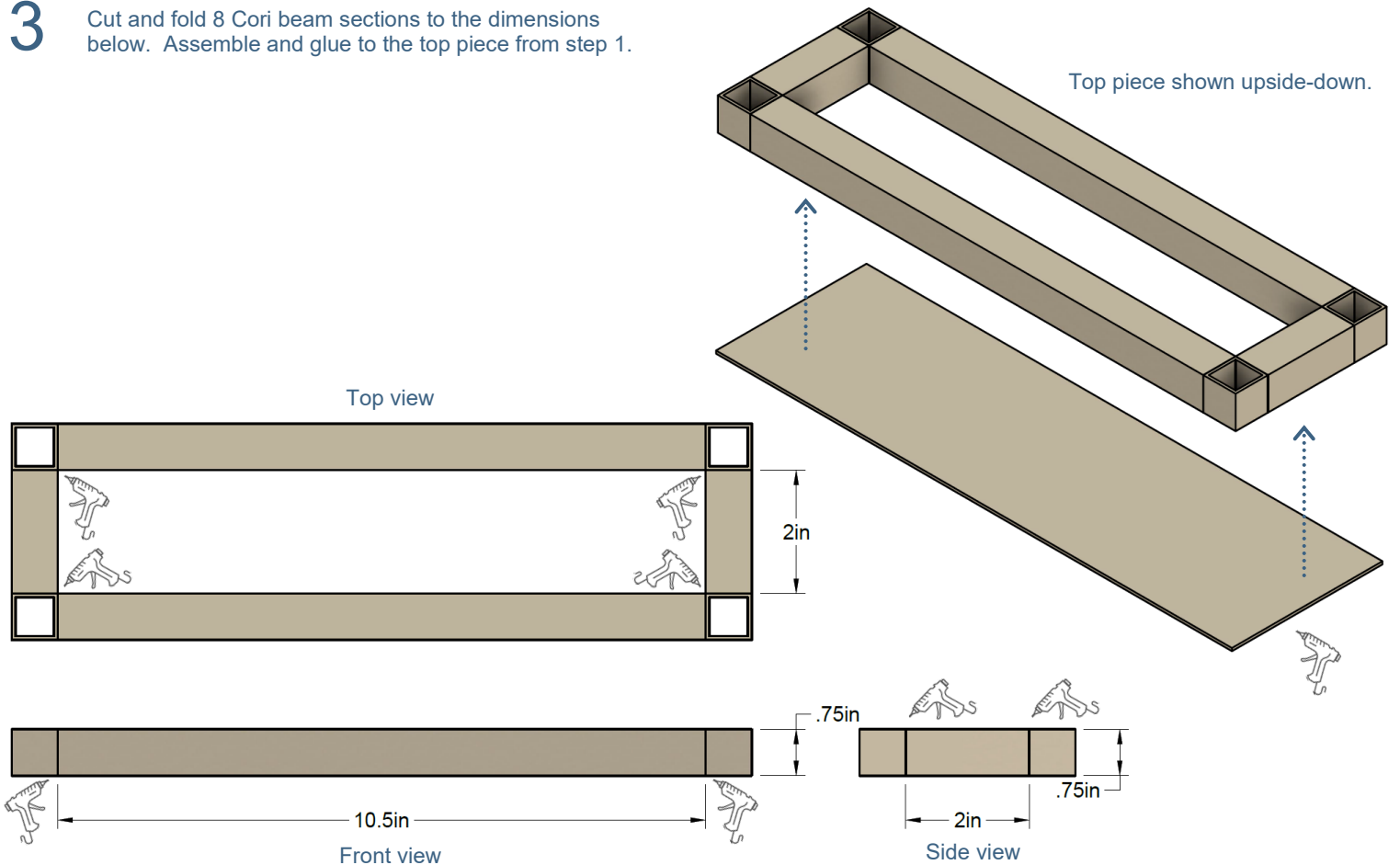
2

Cut and fold 12 Cori beam sections to the dimensions below. Note that one full 12 inch Cori sheet can be used for multiple smaller beam sections. Assemble and glue to the bottom piece from step 1.



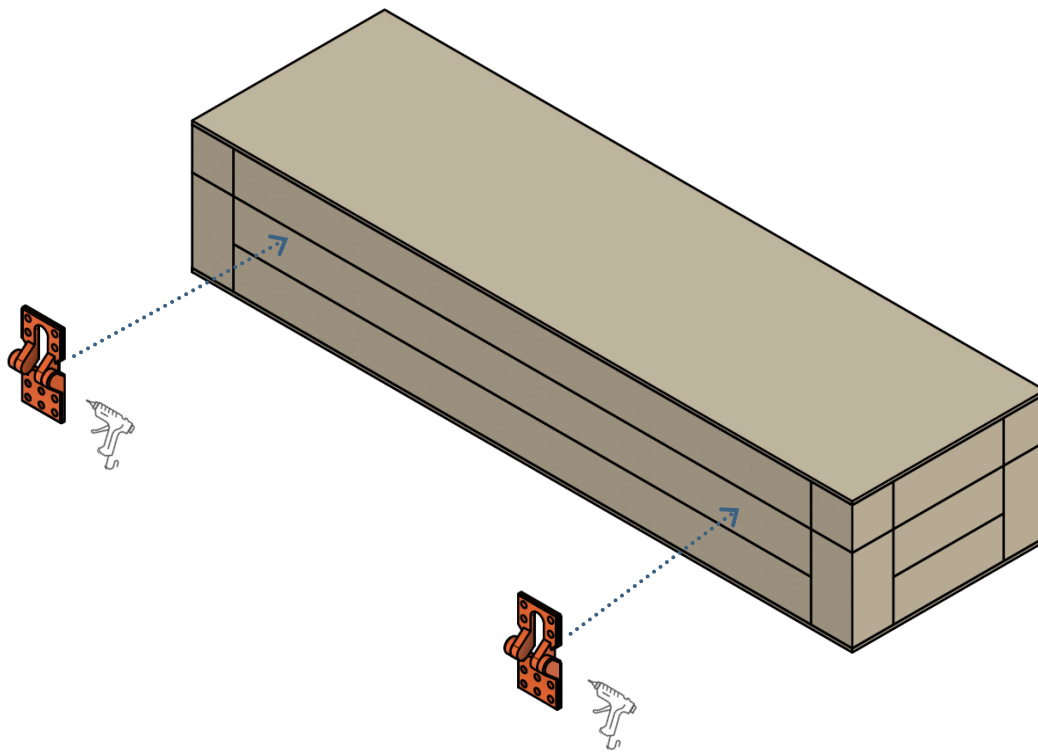
3

Cut and fold 8 Cori beam sections to the dimensions below. Assemble and glue to the top piece from step 1.

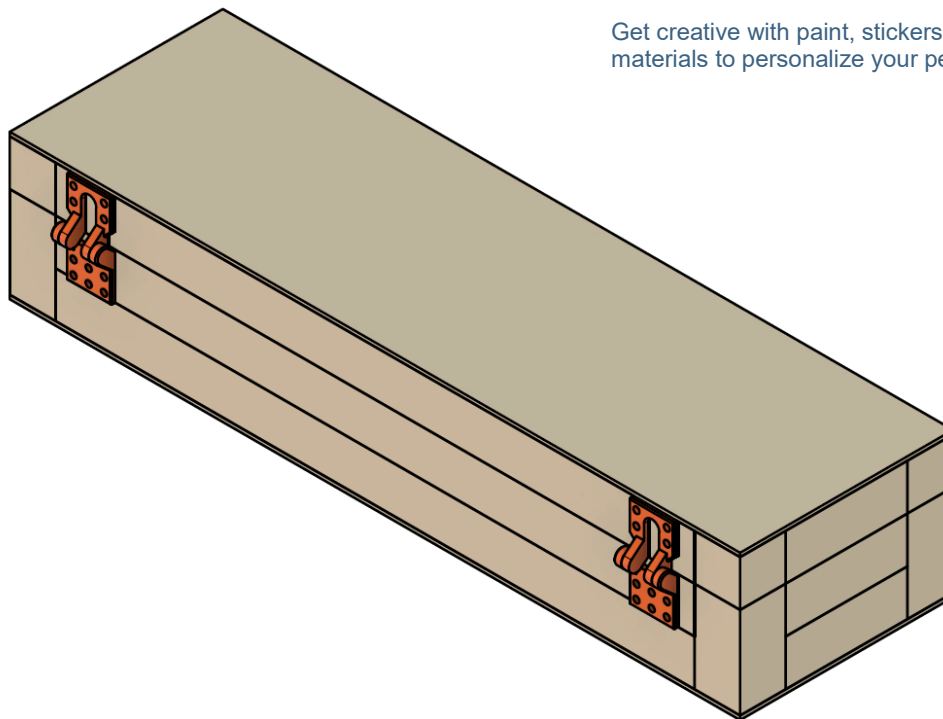


---

4 Stack the top from step 3 on top of the bottom from step 2 (do not glue) and connect the two parts with the Cori hinges as shown. The top should be able to open freely.



Get creative with paint, stickers, and other available craft materials to personalize your pencil box!



---

CORI support is here to help. Contact us at [support@coricreate.com](mailto:support@coricreate.com) if you have any questions or comments.

Share your designs using our hashtag #CoriCreate. Follow us on Facebook, Instagram and Twitter.