



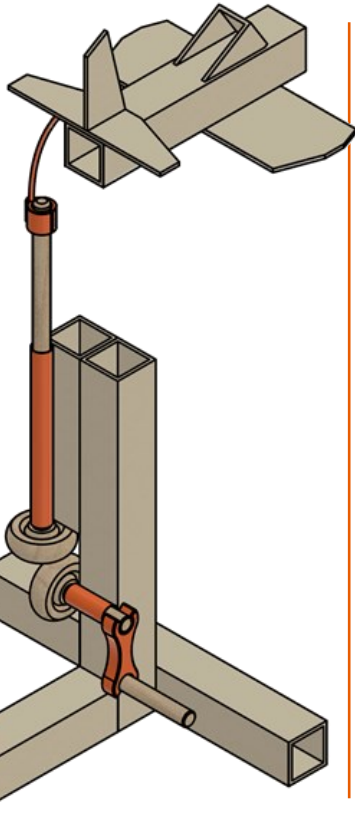
0.5-1 hour



Grit required



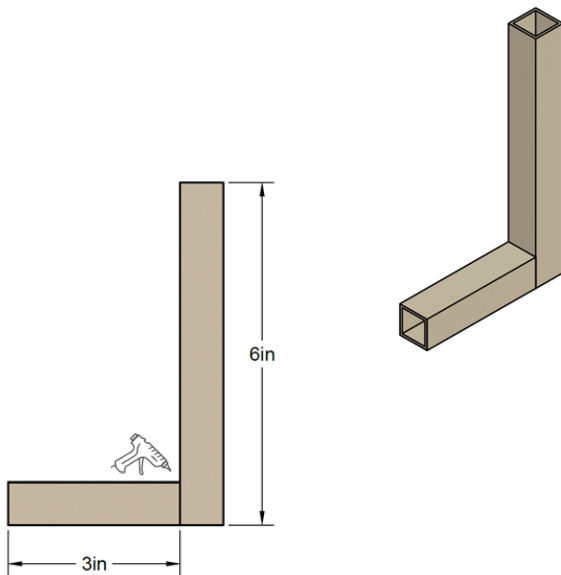
Ages 5+



Part	PN	Part name	Qty
	1001	Cori Beam 12in	4
	2011	Crank Arm for 1/4" Dowel	1
	2013	Adaptor for 1/4" Dowel to Filament	1
	2014	Mounting Foot for Filament	1
	9002	Dowel Wood Round 6" x 1/4"	1
	9003	Dowel Wood Round 1 1/2" x 1/4"	2
	9004	Classic Wood Wheel 1" x 3/8" x 1/4"	2
	9010	Orange 6" PLA 1.75mm Filament	1
	9011	Orange Jumbo Paper Straw	1

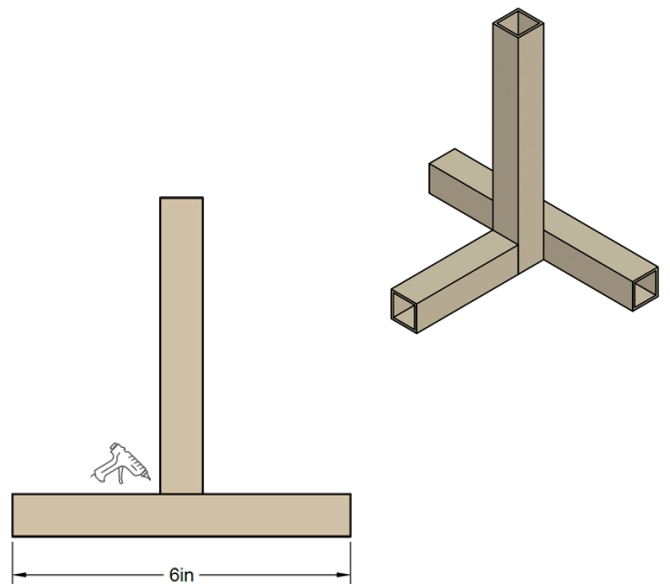
1

Cut and fold Cori sheets to the dimensions below to form the base. Glue where indicated.

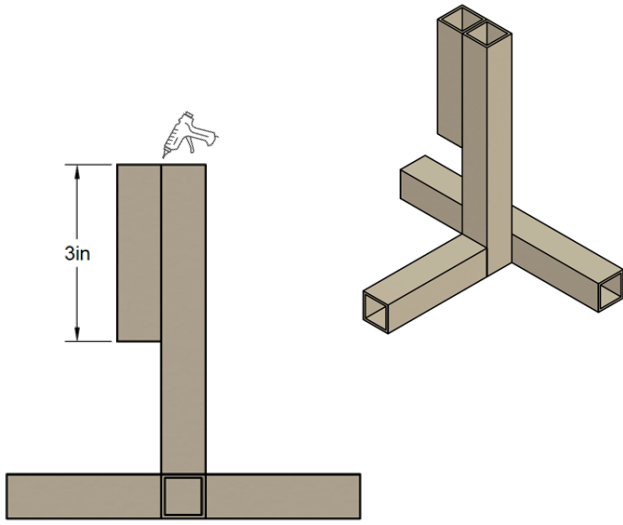


2

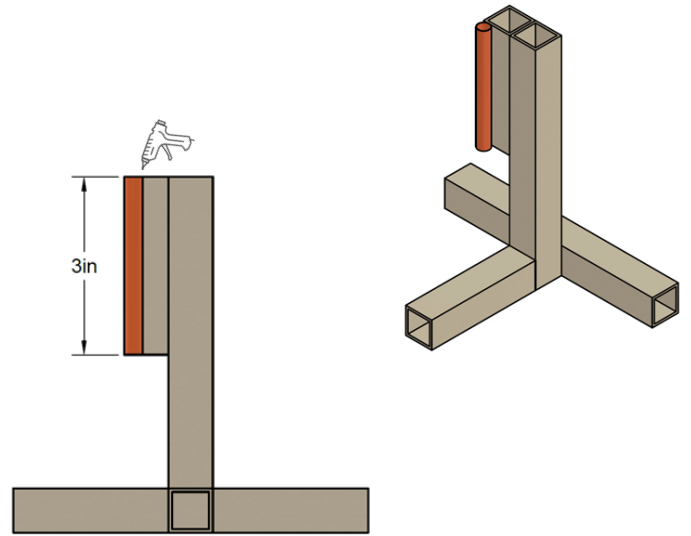
Glue an additional beam to support the base as shown.



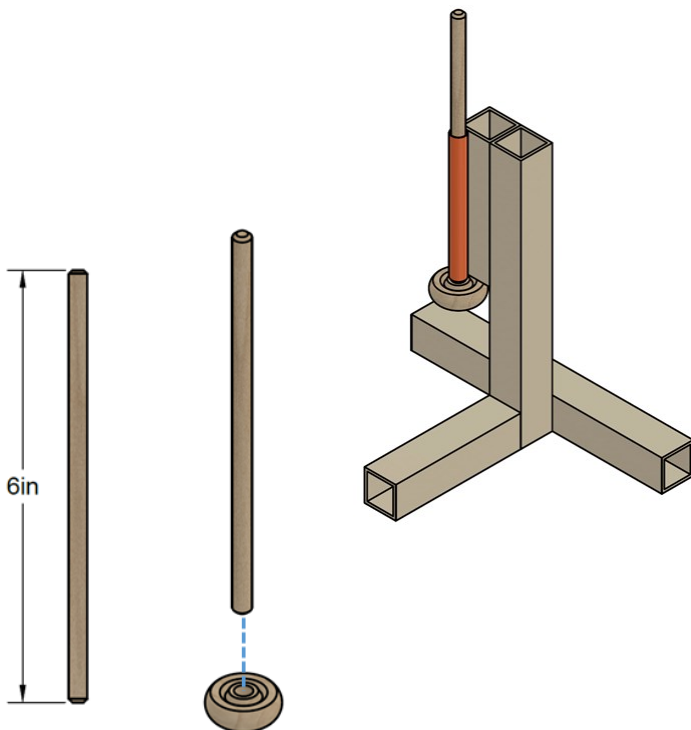
3 Add a vertical beam.



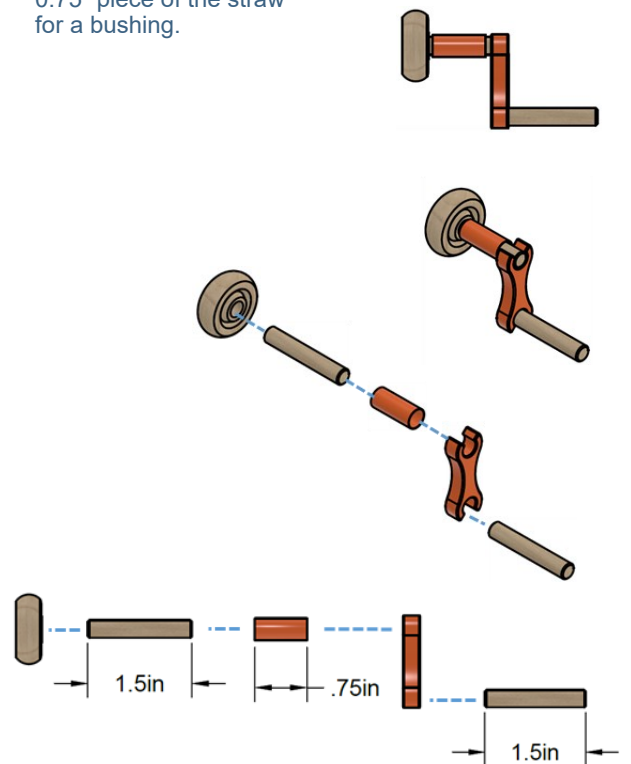
4 Cut and glue a straw to act as a bushing as illustrated below.



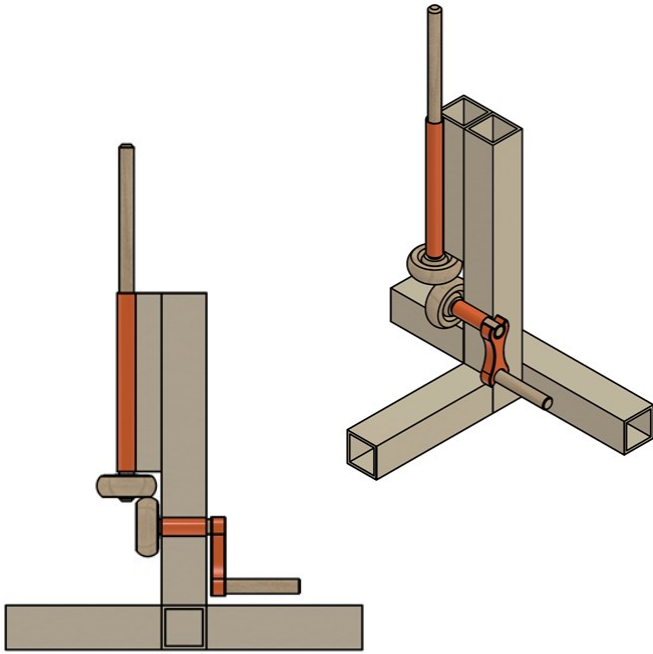
5 Assemble the wheel to the vertical drive shaft. Use glue if needed. Slide into bushing from step 4.



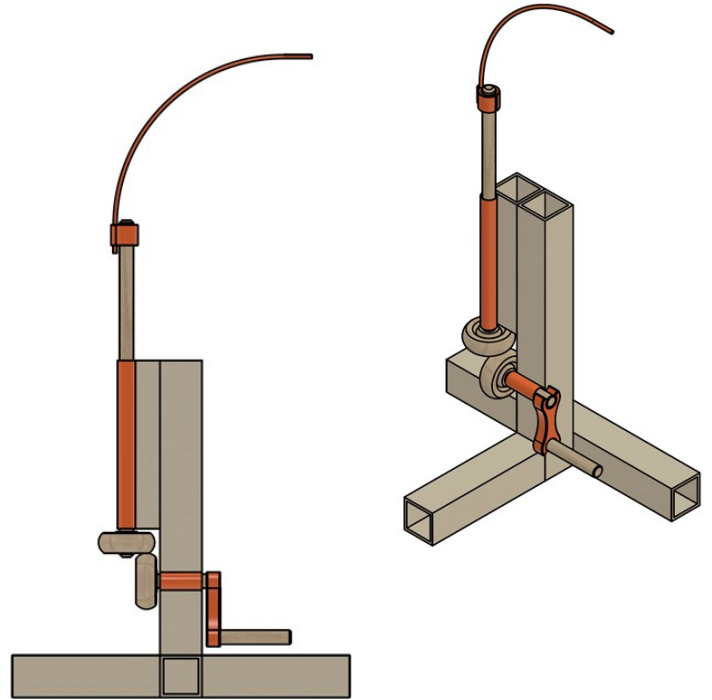
6 Assemble the crank shaft according to the drawing below. Cut a 0.75" piece of the straw for a bushing.



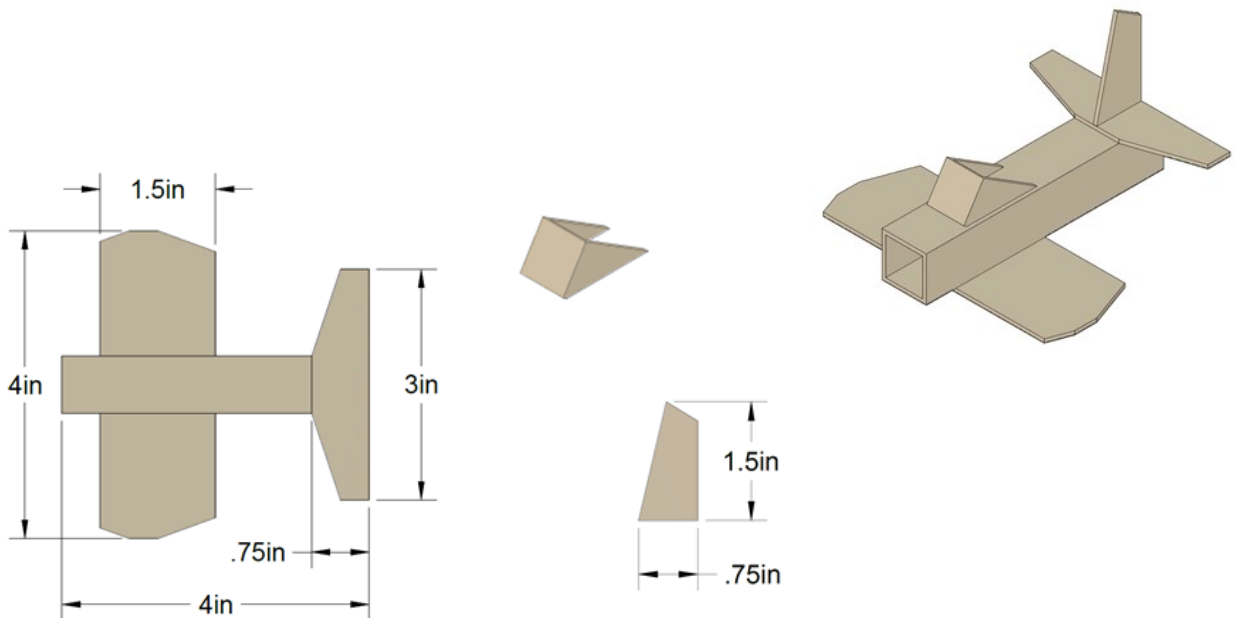
7 Carefully glue the crank shaft bushing onto the base lifting the vertical drive shaft in position. The crank arm should rotate freely.



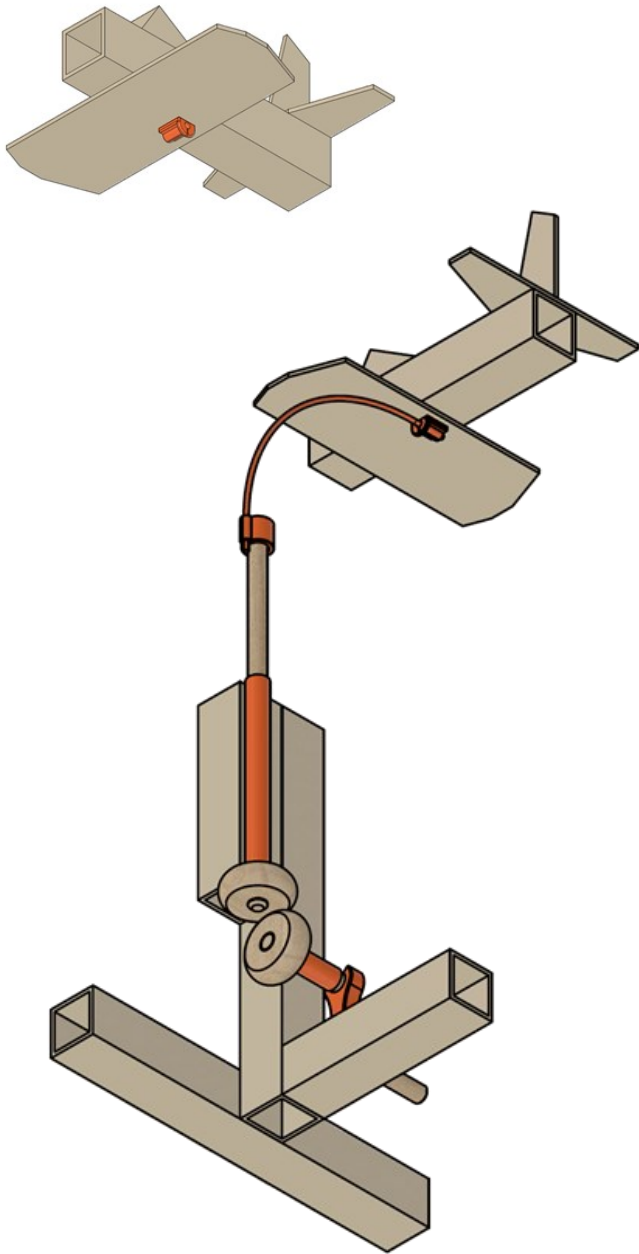
8 Insert the rod into the Dowel-to-rod adapter and press it onto the top of the vertical drive shaft. You may need to cut the length of the rod when you install the flying object.



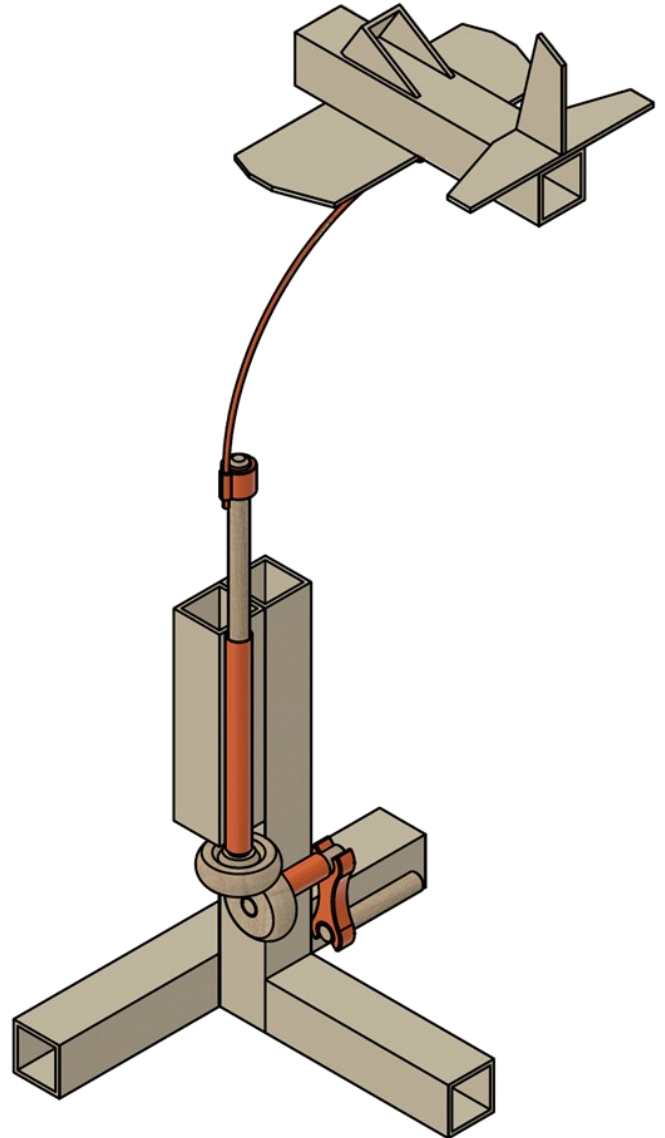
9 Get creative and design your own flying object, or use the template below for a flying plane.



**10** Glue the Rod foot onto your flying object and mount it onto the rod from step 8. Depending on the weight of your flying object, you may need to shorten the rod by trimming it with scissors.



**11** Modify and decorate your creation!



CORI support is here to help. Contact us at [support@coricreate.com](mailto:support@coricreate.com) if you have any questions or comments.

Share your designs using our hashtag #CoriCreate. Follow us on Facebook, Instagram and Twitter.