



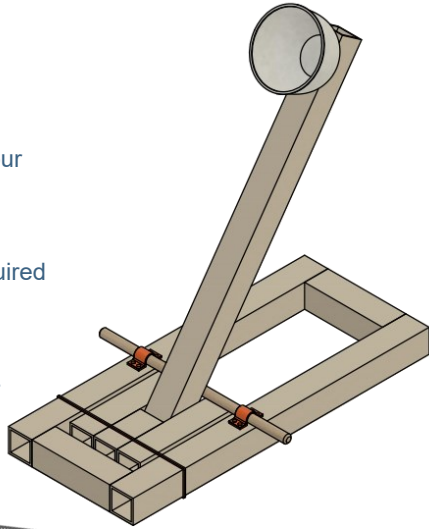
0.5-1 hour



Grit required



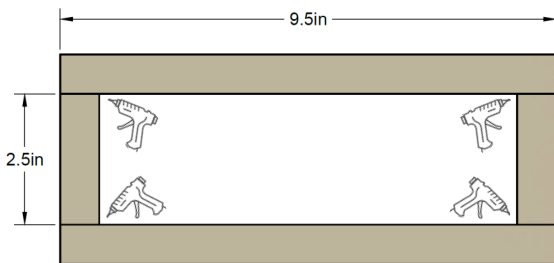
Ages 5+



Part	PN	Part name	Qty
	1001	Cori Beam 12in	4
	9013	Biodegradable Small Cup	1
	9002	Dowel Wood Round 6" x 1/4"	1
	2005	Strap for 1/4" Dowel	2
	9009	Orange Rubber Bands Size 19	1

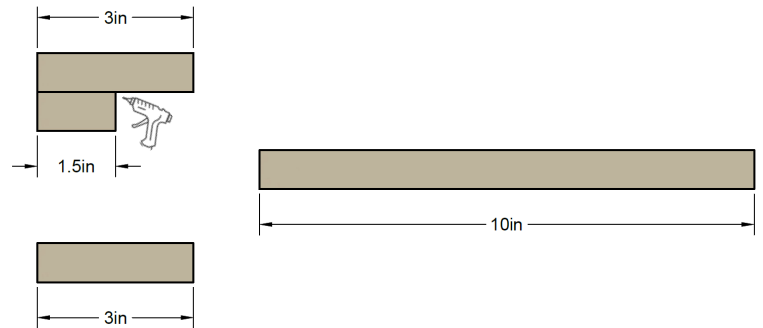
1

Cut and fold Cori sheets to the dimensions below to form the base. Glue where indicated. Set aside.



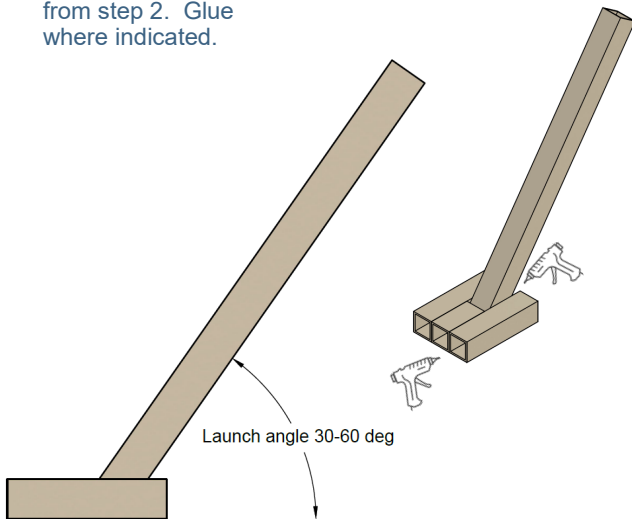
2

Cut and fold Cori sheets for the launch arm to the dimensions below. Glue where indicated.



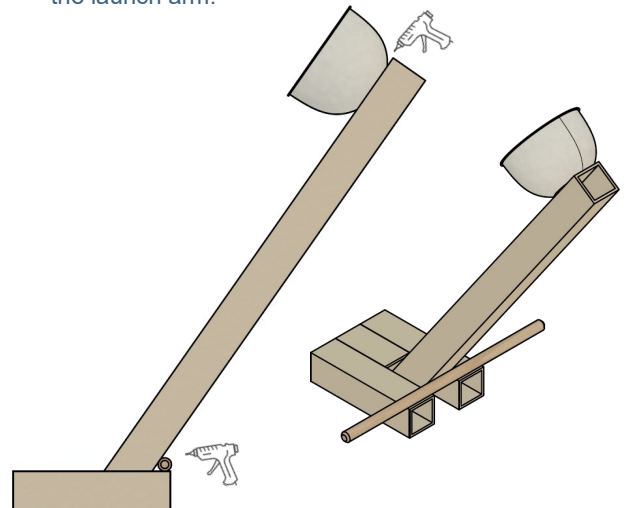
3

Assemble the launch arm using the parts from step 2. Glue where indicated.



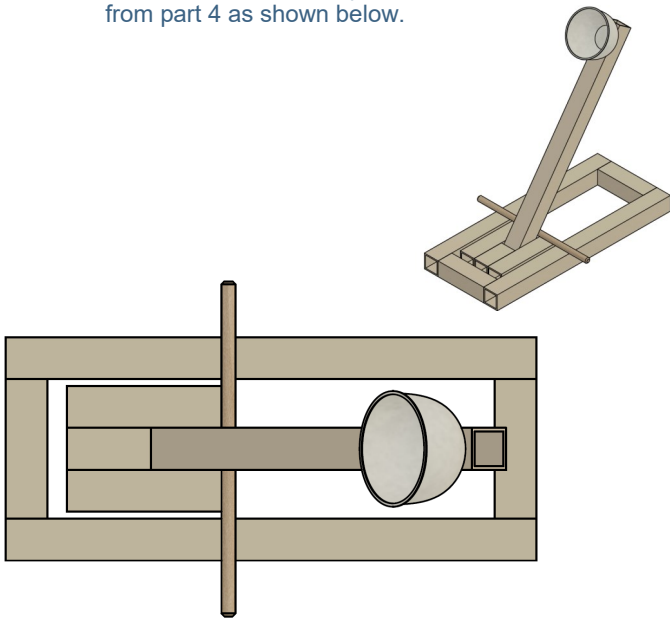
4

Glue the bucket and the pivot shaft onto the launch arm.



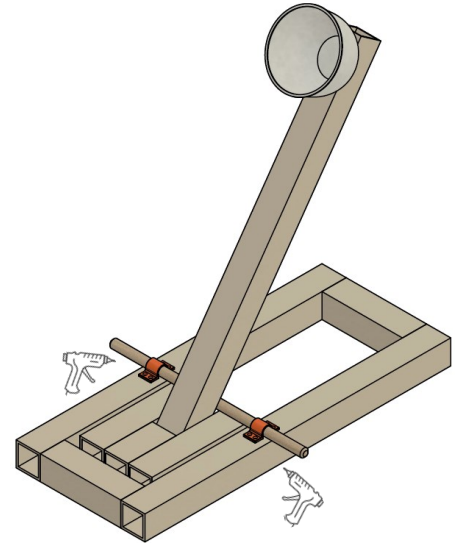
5

Position the assembly from part 1 and the assembly from part 4 as shown below.



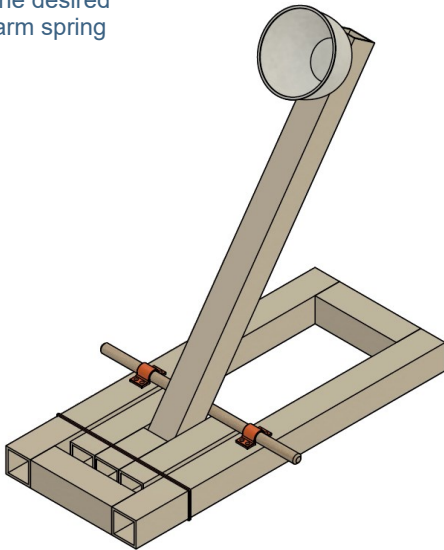
6

Glue the dowel straps to hold down the pivot shaft. Make sure the pivot shaft can spin freely.



7

Add one or more rubber bands to achieve the desired catapult arm spring action.



8

You have now completed the construction of your catapult. Now is the time to make it uniquely yours by adding paint, stickers, and any other material available. You may also want to create some targets to help improve your aim. Unleash your creativity!

CORI support is here to help. Contact us at [support@coricreate.com](mailto:support@coricreate.com) if you have any questions or comments.

Share your designs using our hashtag #CoriCreate. Follow us on Facebook, Instagram and Twitter.