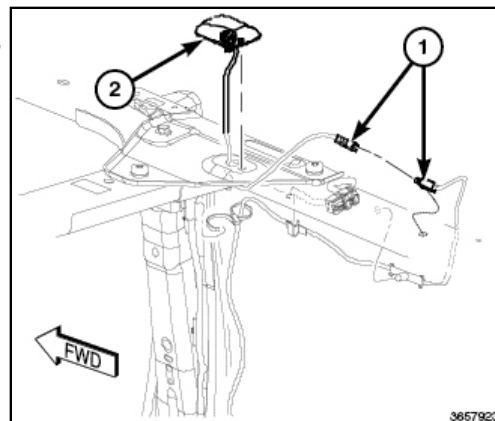
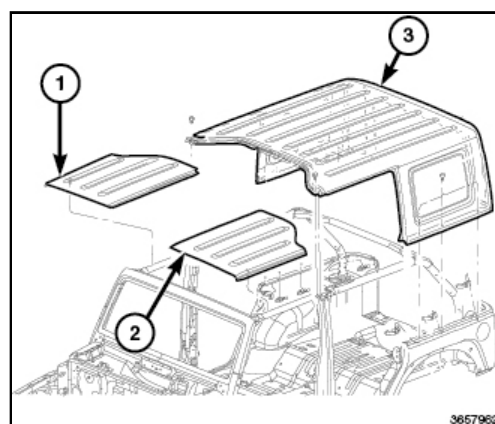


INSTALLATION

1. Insert wire harness through hole in roof panel. Press the antenna (2) into position until both retainers, on the antenna stud, and the locator stud engage into position.
2. Install the antenna mounting fastener. Tighten to 6.7 N·m (60 in. lbs.)
3. Connect the antenna connector (1).



4. If equipped, install the complete hard top ([Refer to 23 - Body/Removable Top - Installation](#)).



5. If equipped, position the soft top (1) back into position (1).
6. Connect the negative battery cable.

