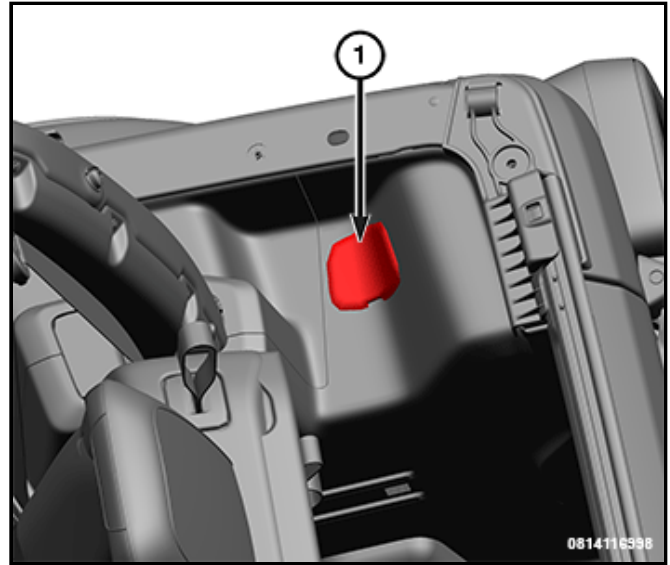


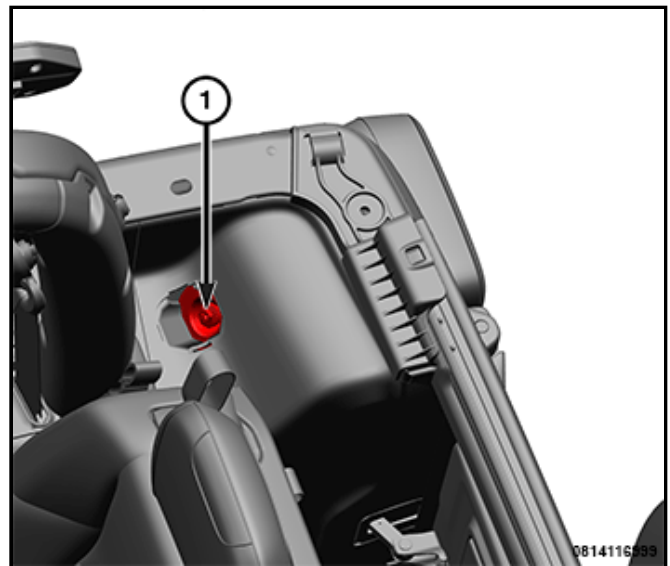
CENTER LAMP

REMOVAL

1. Disconnect and isolate the negative battery cable(s) ([Refer to 08 - Electrical/Battery System/Standard Procedure](#)).
2. Remove the rear lamp unit from the vehicle by removing the trim panel cover (1).



3. Remove the fastener from the tail lamp unit holder (1).
4. Pull the tail lamp unit from the mounting stud on the body.
5. Disconnect the wire harness connector from the lamp assembly.
6. Remove the tail lamp unit from the vehicle.



INSTALLATION

1. Connect the wire harness connector to the lamp assembly.
2. Install the lamp assembly to the body.
3. Install and securely tighten the tail lamp fastener.
4. Install the trim panel cover and make sure it is snapped in place securely.
5. Connect the negative battery cable(s) ([Refer to 08 - Electrical/Battery System/Standard Procedure](#)).