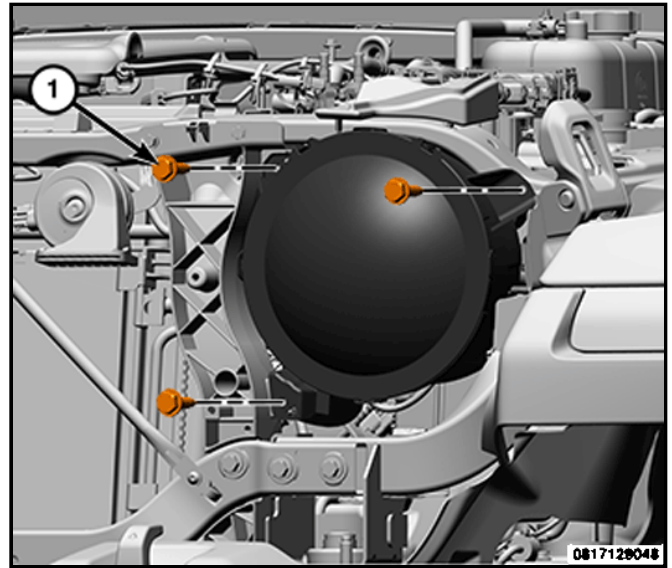


## HEADLAMP UNIT

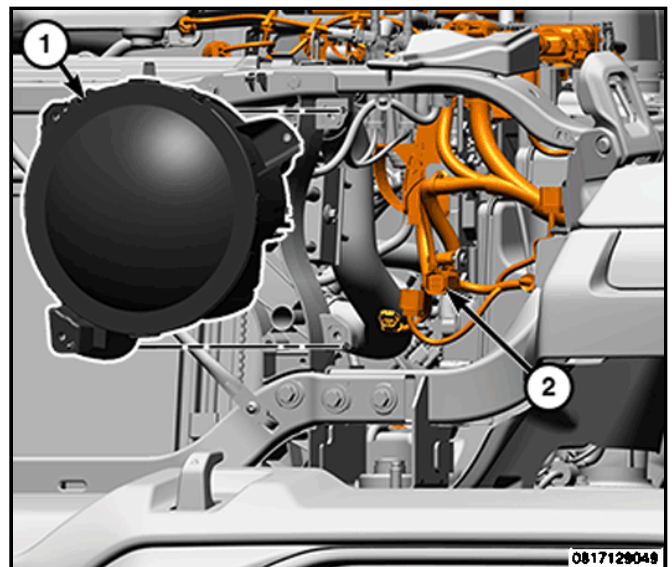
### REMOVAL AND INSTALLATION

#### REMOVAL

1. Disconnect and isolate the negative battery cable(s) ([Refer to 08 - Electrical/Battery System/Standard Procedure](#)).
2. Remove the grille ([Refer to 23 - Body/Exterior/GRILLE/Removal and Installation](#)).
3. Remove the fasteners (1).

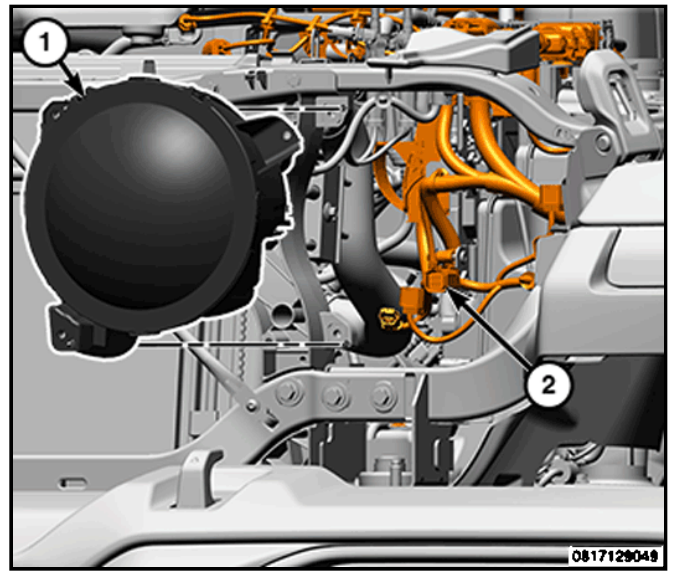


4. Remove the headlamp unit (1) and disconnect the wire harness connectors (2).



#### INSTALLATION

1. Position the headlamp unit for installation.
2. Connect the wire harness connectors (2) and install the headlamp unit (1).



3. Install and securely tighten the fasteners (1).
4. Install the grille ([Refer to 23 - Body/Exterior/GRILLE/Removal and Installation](#)).
5. Connect the negative battery cable(s) ([Refer to 08 - Electrical/Battery System/Standard Procedure](#)).

