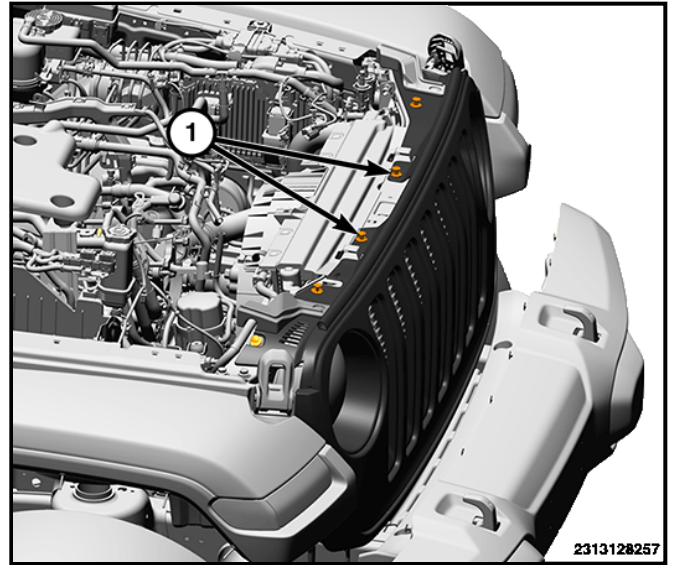


GRILLE

REMOVAL

1. Remove the push pins.



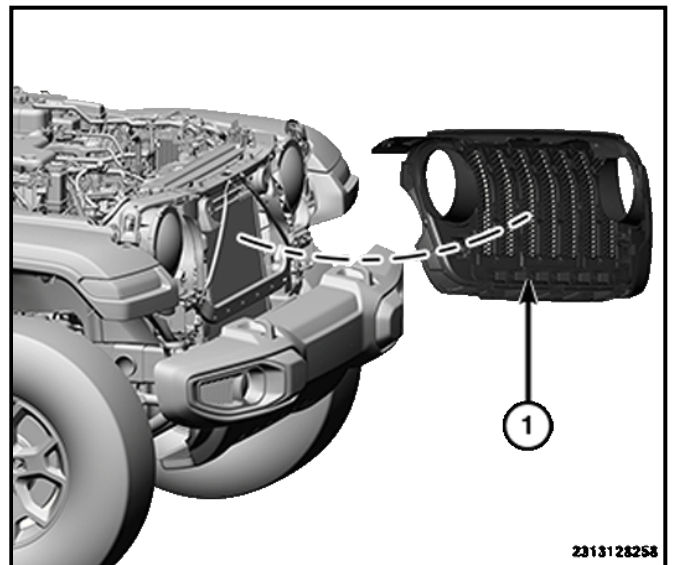
1 - Push Pins

2. Carefully release the grille lower clips.

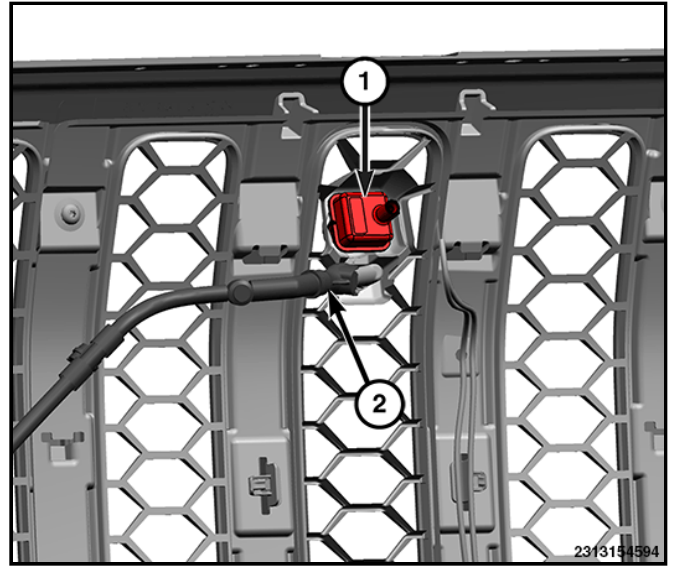


1 - Grille Lower Clip

3. Separate and remove the grille.



4. Disconnect the camera wire harness connector and washer hose, if equipped.



1 - Camera Wire

2 - Washer Hose

INSTALLATION

Follow the removal procedure in reverse for general reassembly of the components on the vehicle. The steps listed below are calling out specific procedures that should be followed during installation.

- Verify push pins are fully seated.