

katzkin® NEW PATTERN DATA SHEET

PATTERN #

Q2FO17

AVAILABLE

Ford F-250/350/450 Crew Cab XLT '17 w/ 40/20/40 Front Bench; w/ Side Impact Airbags

Factory Color	Recommended Katzkin Color
Black	Black
Medium Earth Gray	Stone

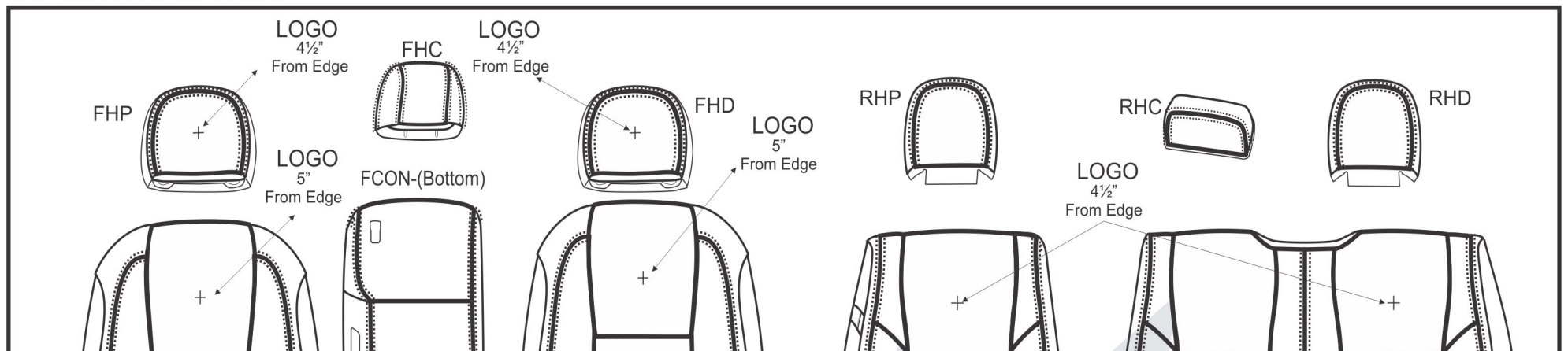
Other Seating Configurations	

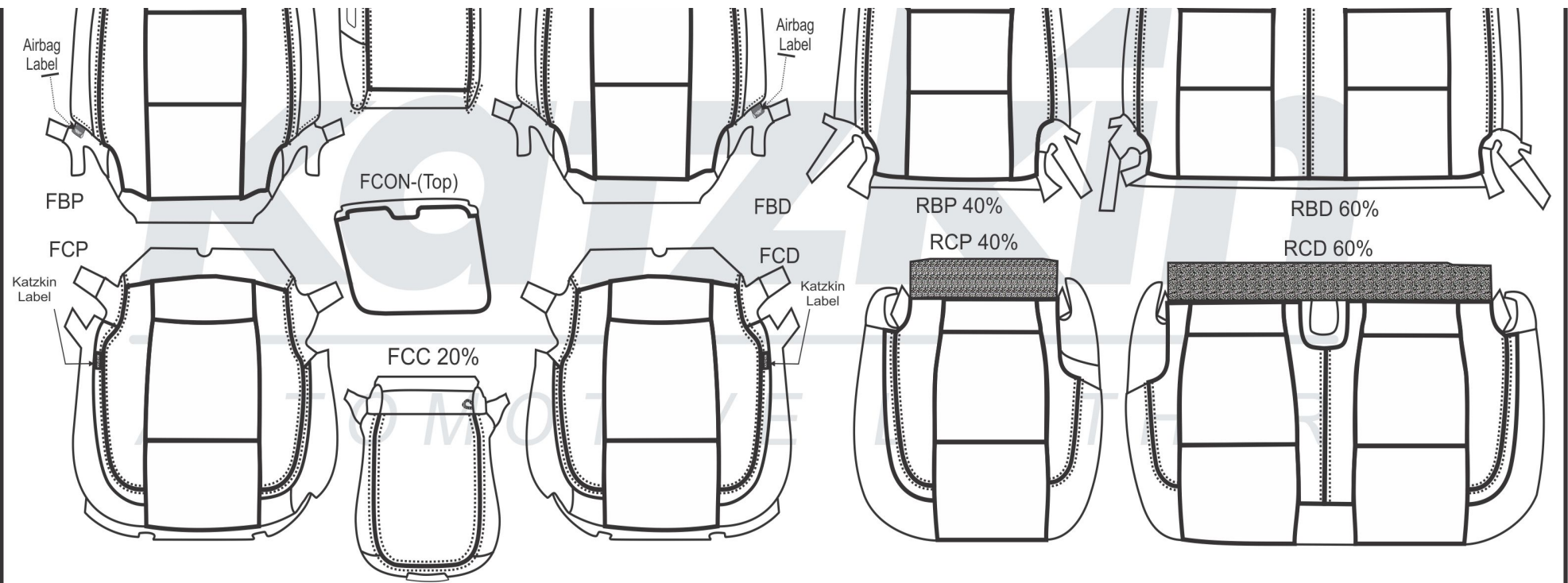
NOTES:

katzkin®
AUTOMOTIVE LEATHER

PATTERN SCHEMATIC

Ramon Avelar
Date Created: 09/13/2016
Revision: 1 - 01/12/2017





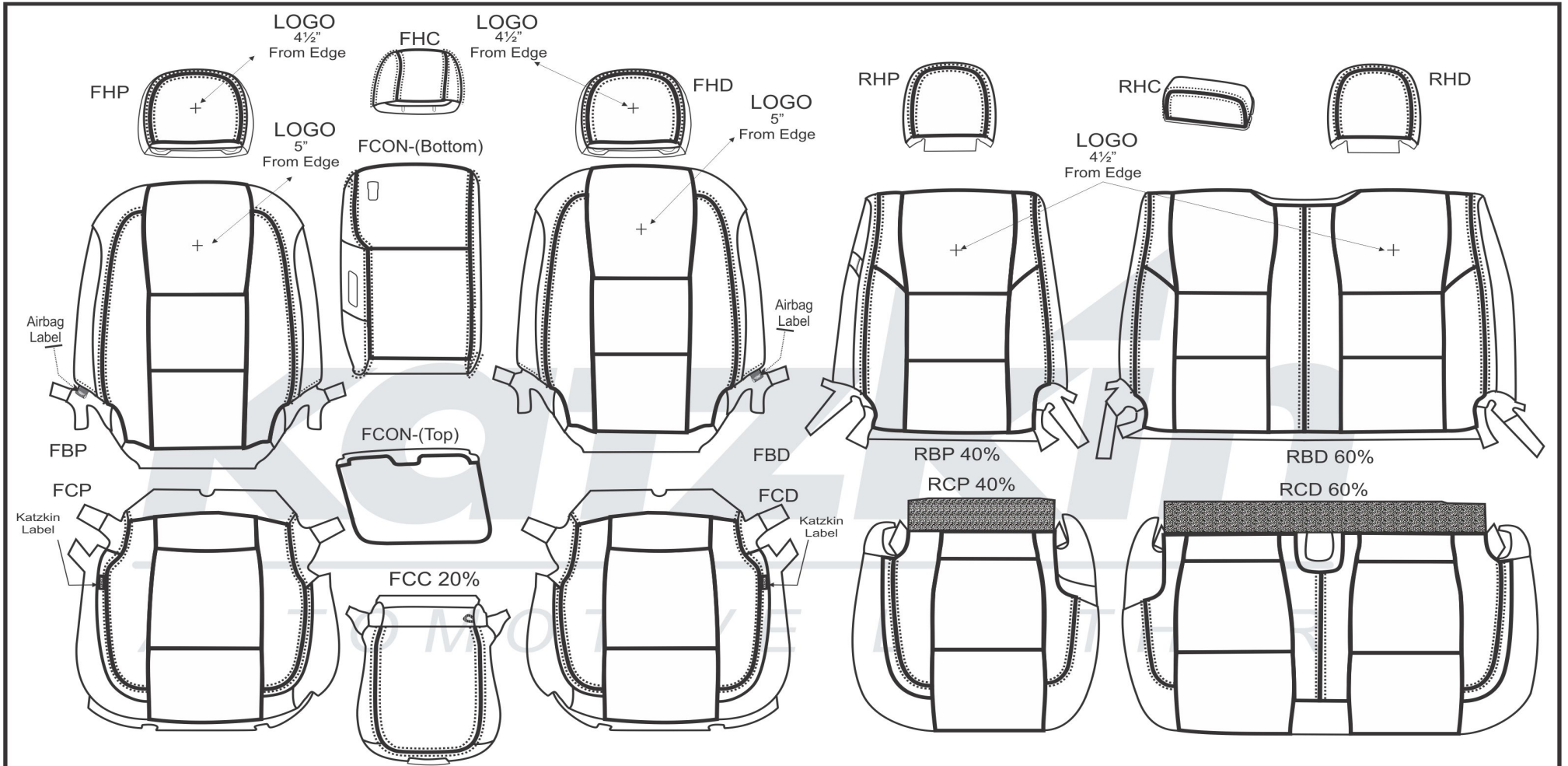
Q2FO17

2017 Ford F-250/350/450 Crew Cab XLT
with 40/20/40 Front Bench with Side Impact Airbags

SINGLE TONE

MIXING BUSINESS WITH LEATHER SINCE 1983

PATTERN SCHEMATIC

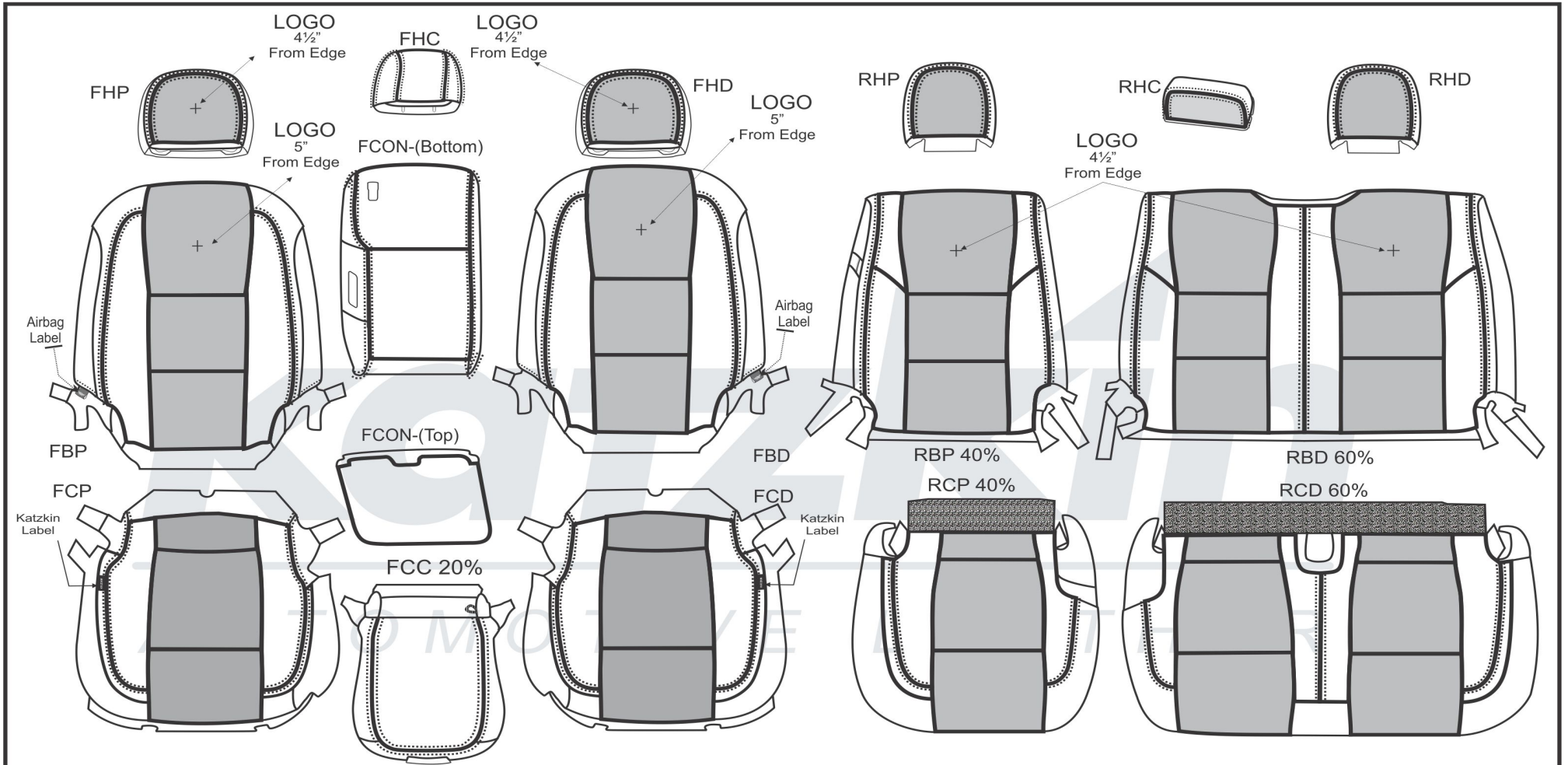


Q2FO17

2017 Ford F-250/350/450 Crew Cab XLT
with 40/20/40 Front Bench with Side Impact Airbags

SINGLE TONE

PATTERN SCHEMATIC

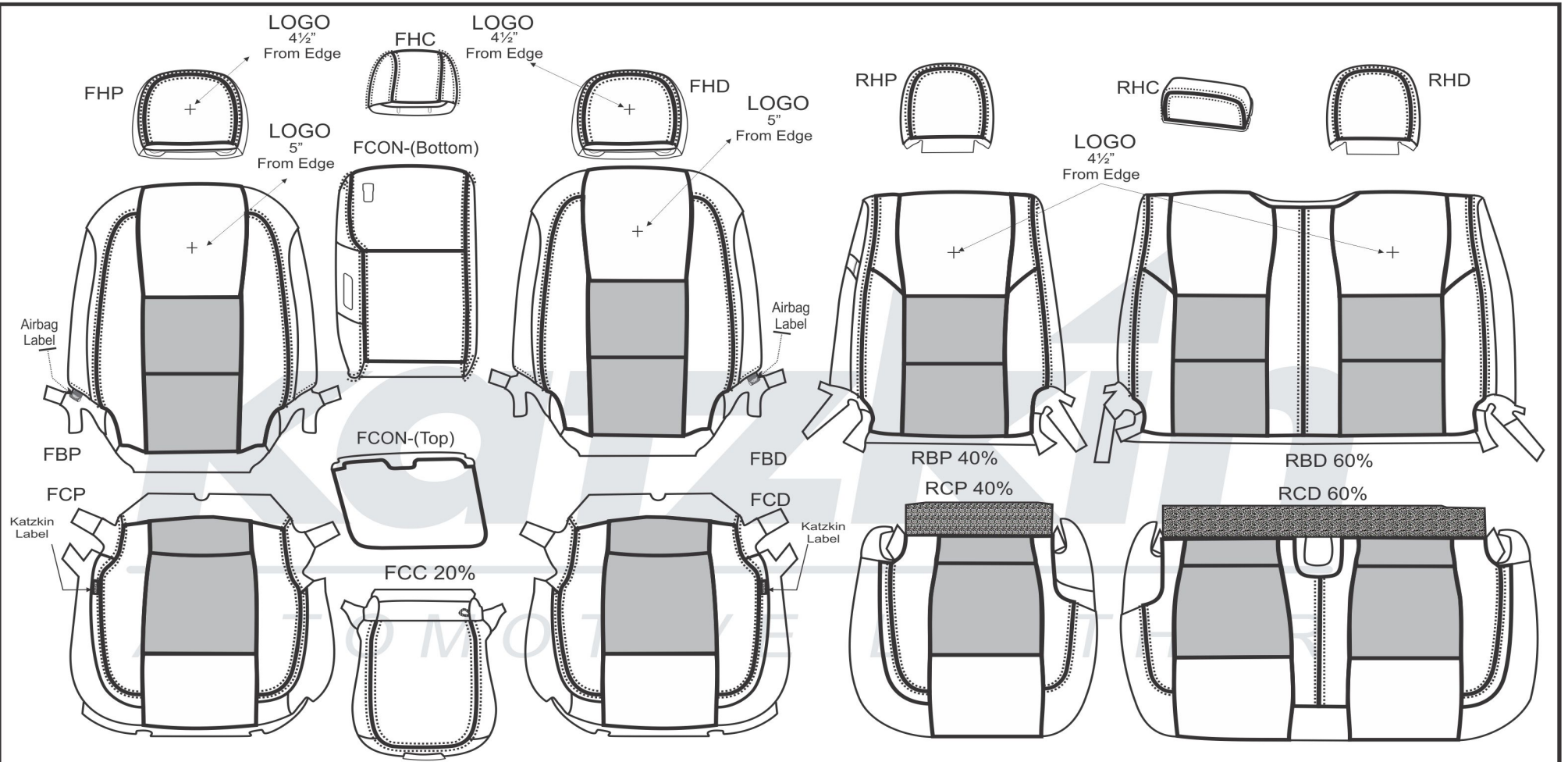


Q2FO17

**2017 Ford F-250/350/450 Crew Cab XLT
with 40/20/40 Front Bench with Side Impact Airbags**

CENTERS

PATTERN SCHEMATIC

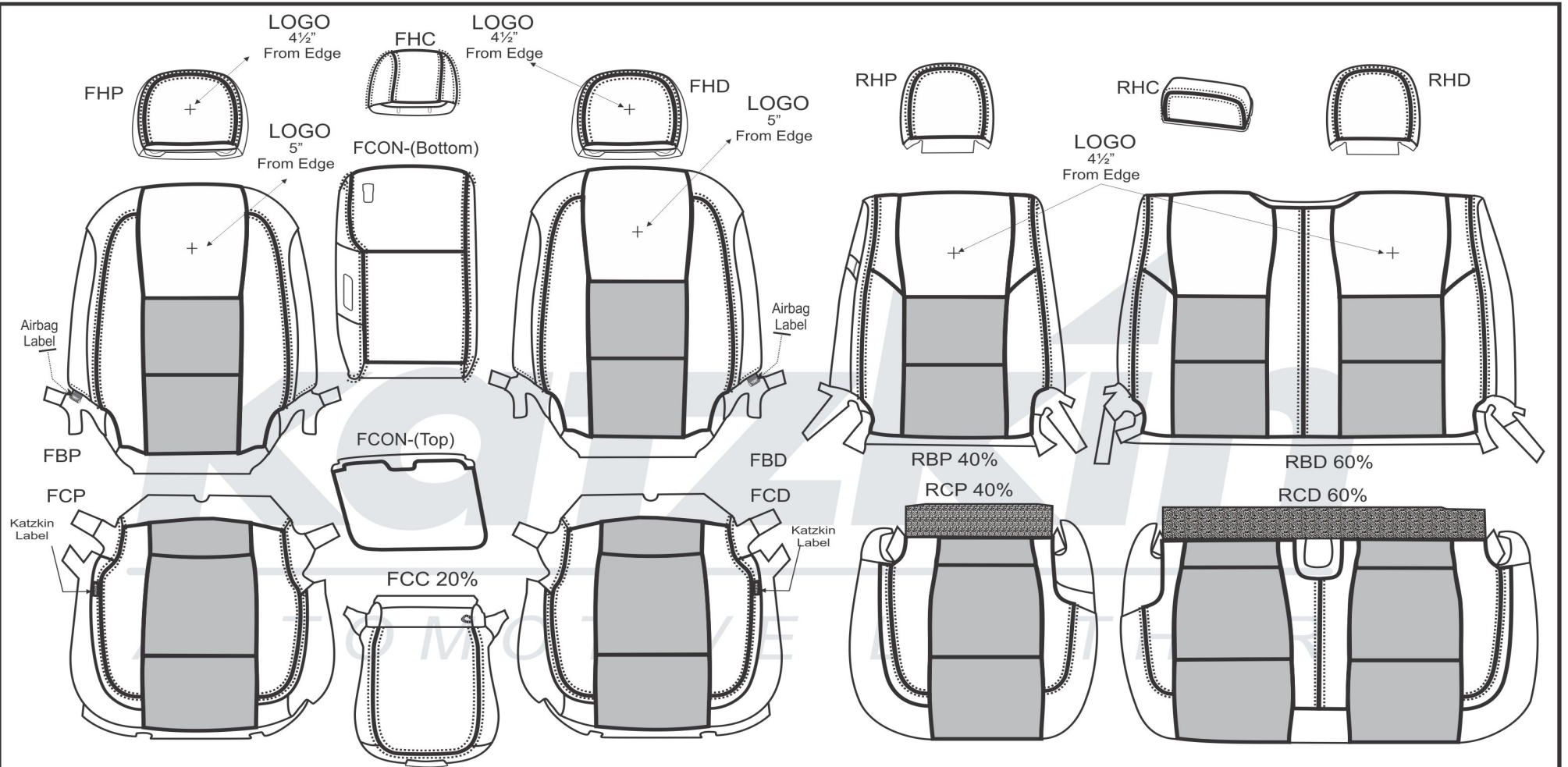


Q2FO17

**2017 Ford F-250/350/450 Crew Cab XLT
with 40/20/40 Front Bench with Side Impact Airbags**

INSERTS

PATTERN SCHEMATIC

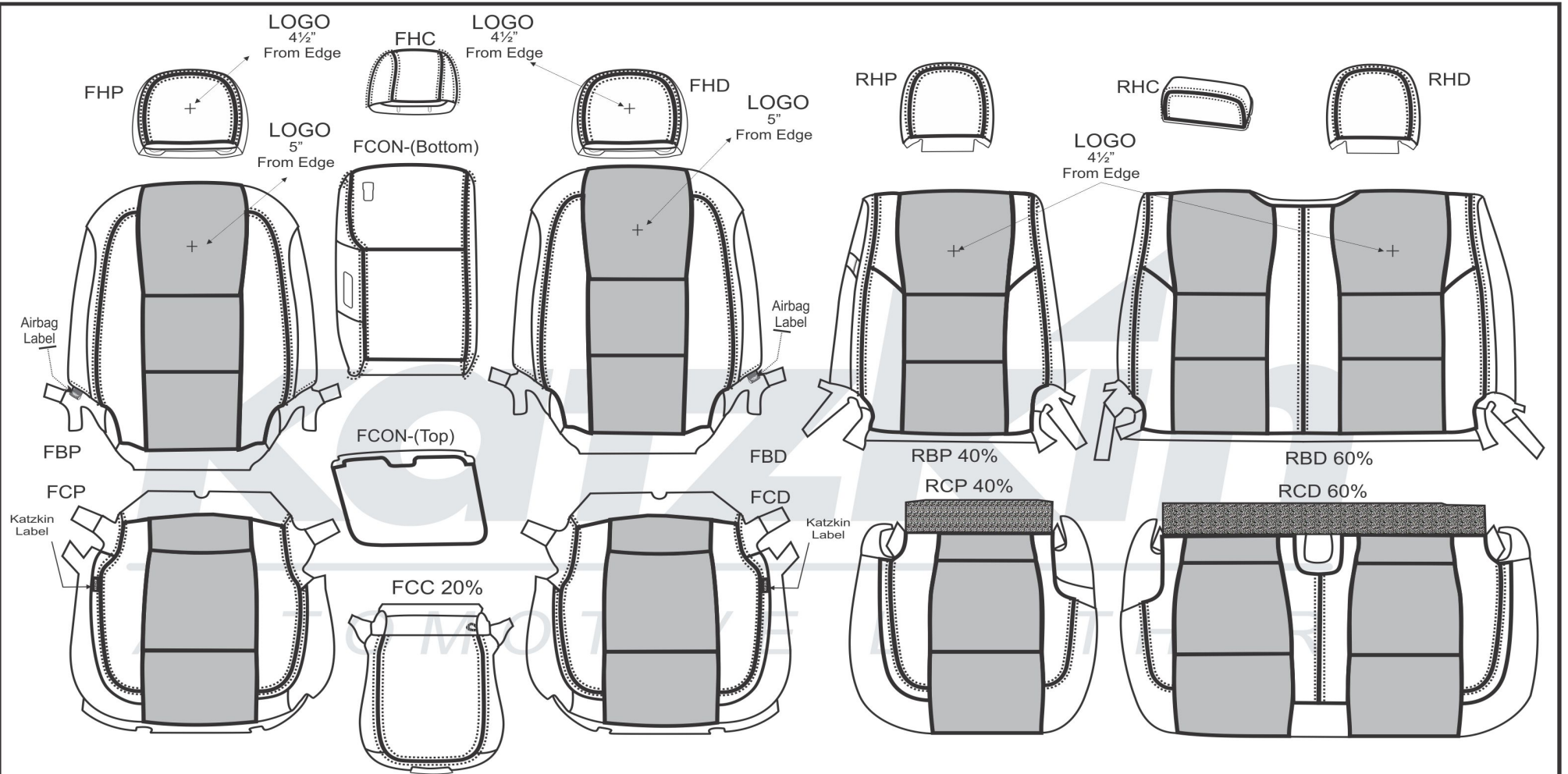


Q2FO17

2017 Ford F-250/350/450 Crew Cab XLT
with 40/20/40 Front Bench with Side Impact Airbags

COMBO

PATTERN SCHEMATIC

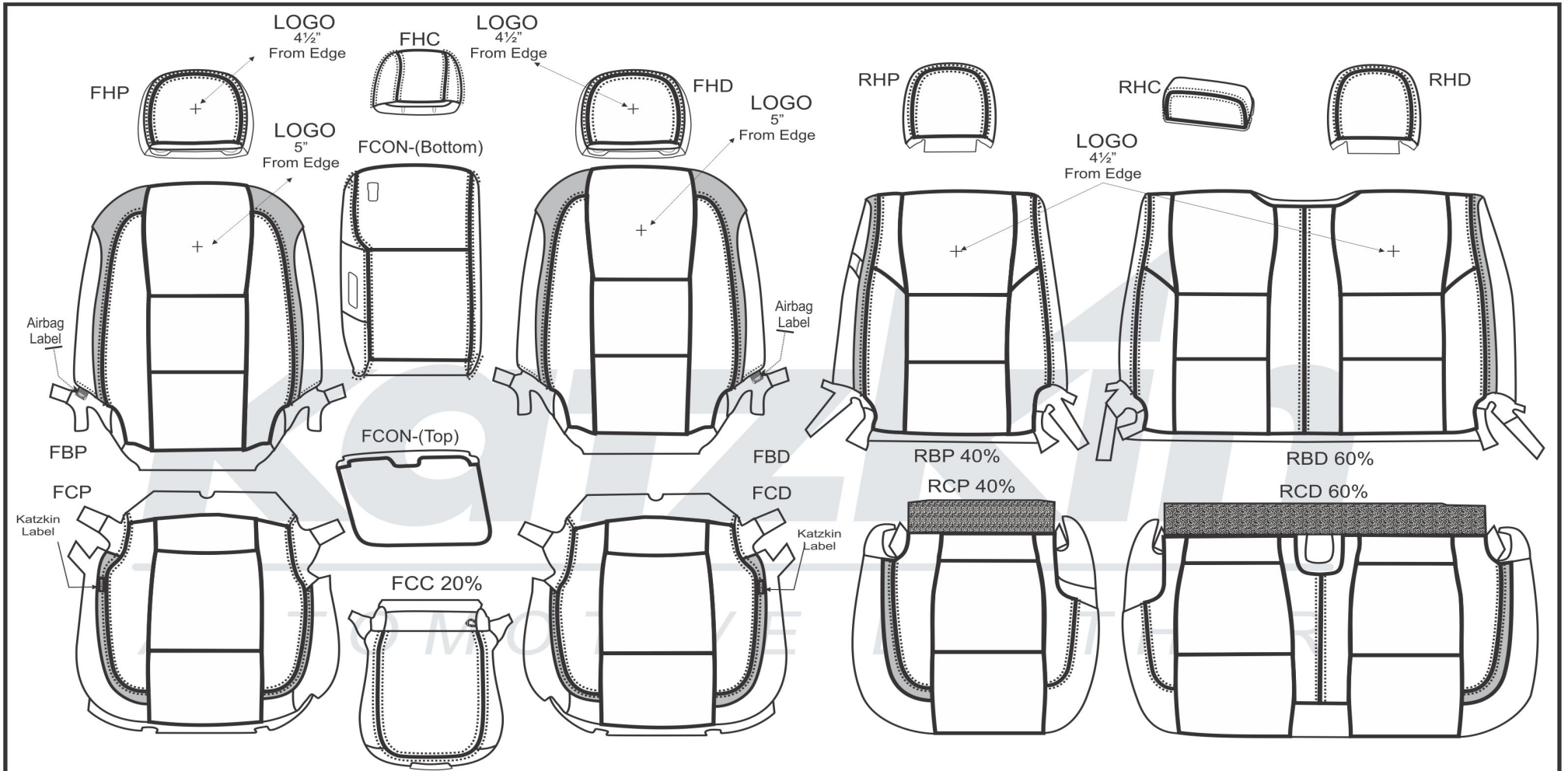


Q2FO17

**2017 Ford F-250/350/450 Crew Cab XLT
with 40/20/40 Front Bench with Side Impact Airbags**

BODY

PATTERN SCHEMATIC



Q2FO17

**2017 Ford F-250/350/450 Crew Cab XLT
with 40/20/40 Front Bench with Side Impact Airbags**

WINGS