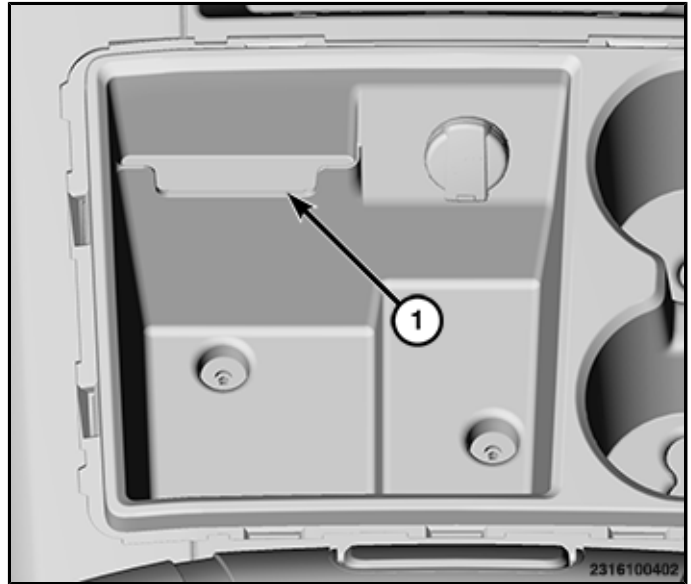
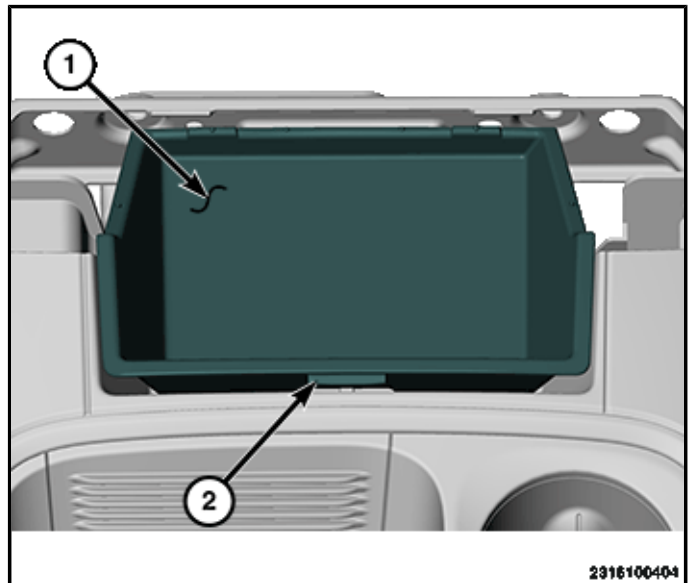


## REMOVAL-TYPE 1

**NOTE:** Type 1 style console bezels have a mini storage tray (1) without a cell phone holder.



1. Using a trim stick [C-4755](#) or equivalent, release the rear retaining tab (2) of the front rubber mat (1).

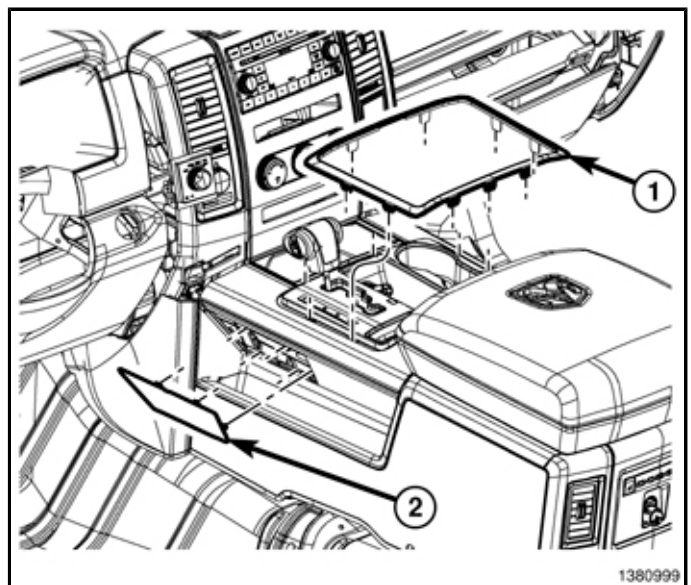


2. Lift out the rubber mat (1).

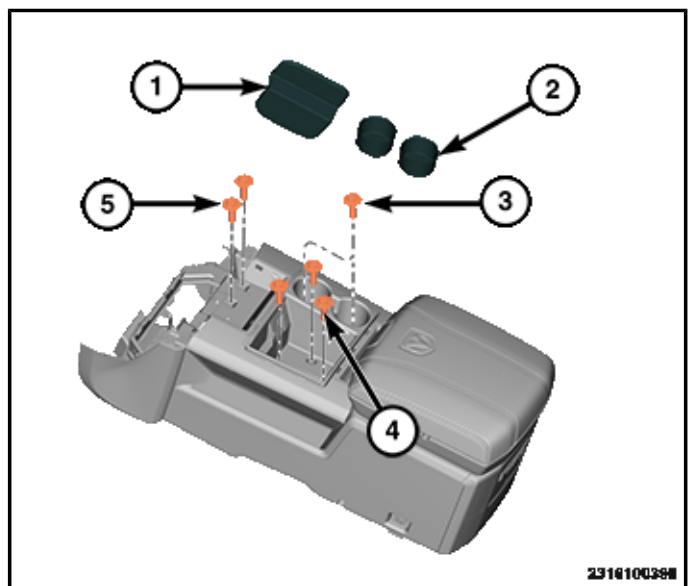


**CAUTION:** The chrome trim ring is not removable for Type 2 version consoles bezels. It is heat staked to the bezel and will damage the trim ring and bezel if it is removed.

3. Using a trim stick or equivalent, remove shift bezel trim ring (1).



4. Remove the front screws (5).
5. Remove the rubber mat (1) and remove the screws (4).
6. Remove the cup holder inserts (2) and remove the two screws (3).



7. Open the armrest lid and using trim stick or equivalent, separate the retaining clips and remove shift bezel (2).
8. Disconnect the wire harness connector.

