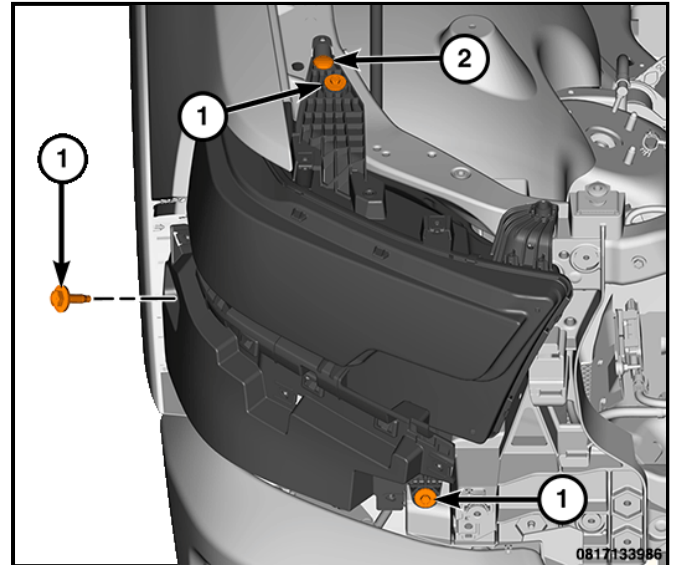


08 - Electrical / 8L - Lamps and Lighting / Lamps/Lighting - Exterior / UNIT, Front Lamp / Removal and Installation**HEADLAMP UNIT****REMOVAL AND INSTALLATION****REMOVAL**

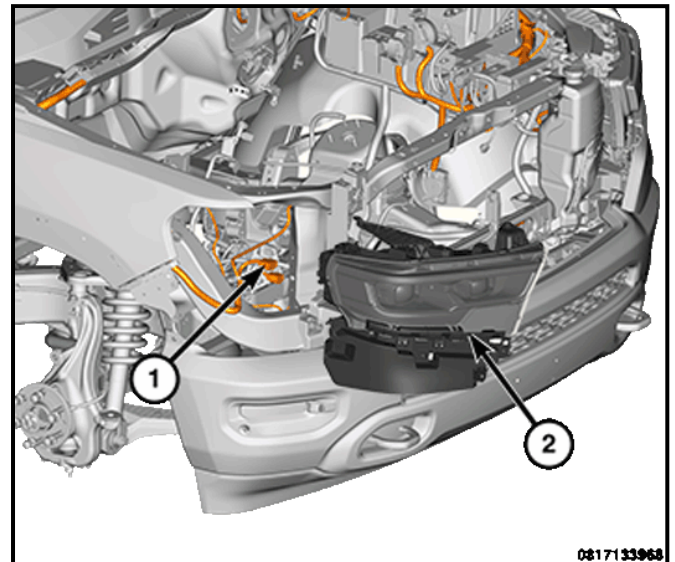
1. Disconnect and isolate the negative battery cable(s) ([Refer to 08 - Electrical/Battery System/Standard Procedure](#)).

2. Remove the grille, ([Refer to 23 - Body/Exterior/GRILLE/Removal and Installation](#)).

3. Remove the fasteners (1, 2).



4. Remove the headlamp unit (2) and disconnect the wire harness connectors (1).

**INSTALLATION**

1. Connect the wire harness connectors and install the headlamp unit.

2. Install the fasteners and tighten securely.

3. Install the grille, ([Refer to 23 - Body/Exterior/GRILLE/Removal and Installation](#)).
4. Connect the negative battery cable(s) ([Refer to 08 - Electrical/Battery System/Standard Procedure](#)).