

katzkin® NEW PATTERN DATA SHEET

PATTERN #

N2FO24

AVAILABLE

Ford Mustang GT Coupe (Recaro Style) '15 w/ Side Impact Airbags

Factory Color	Recommended Katzkin Color
Ebony	Black

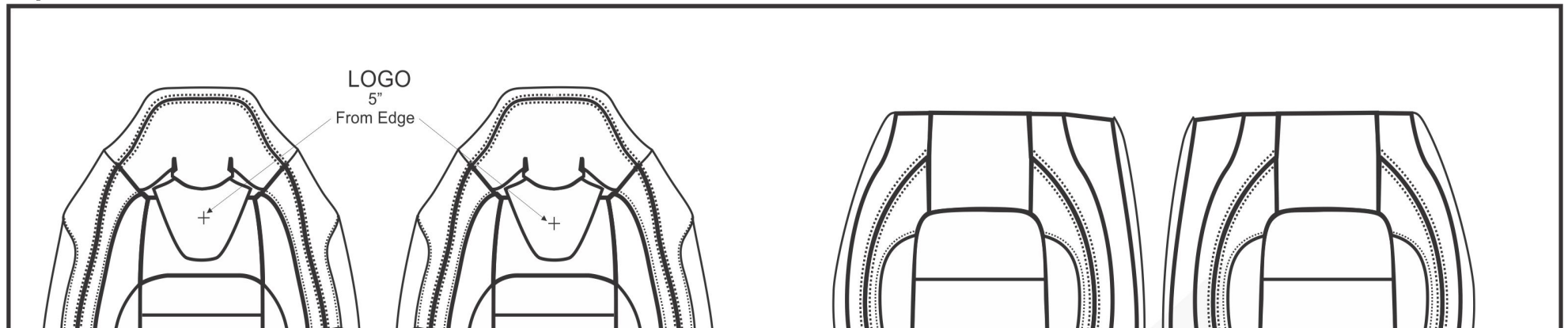
Other Seating Configurations	

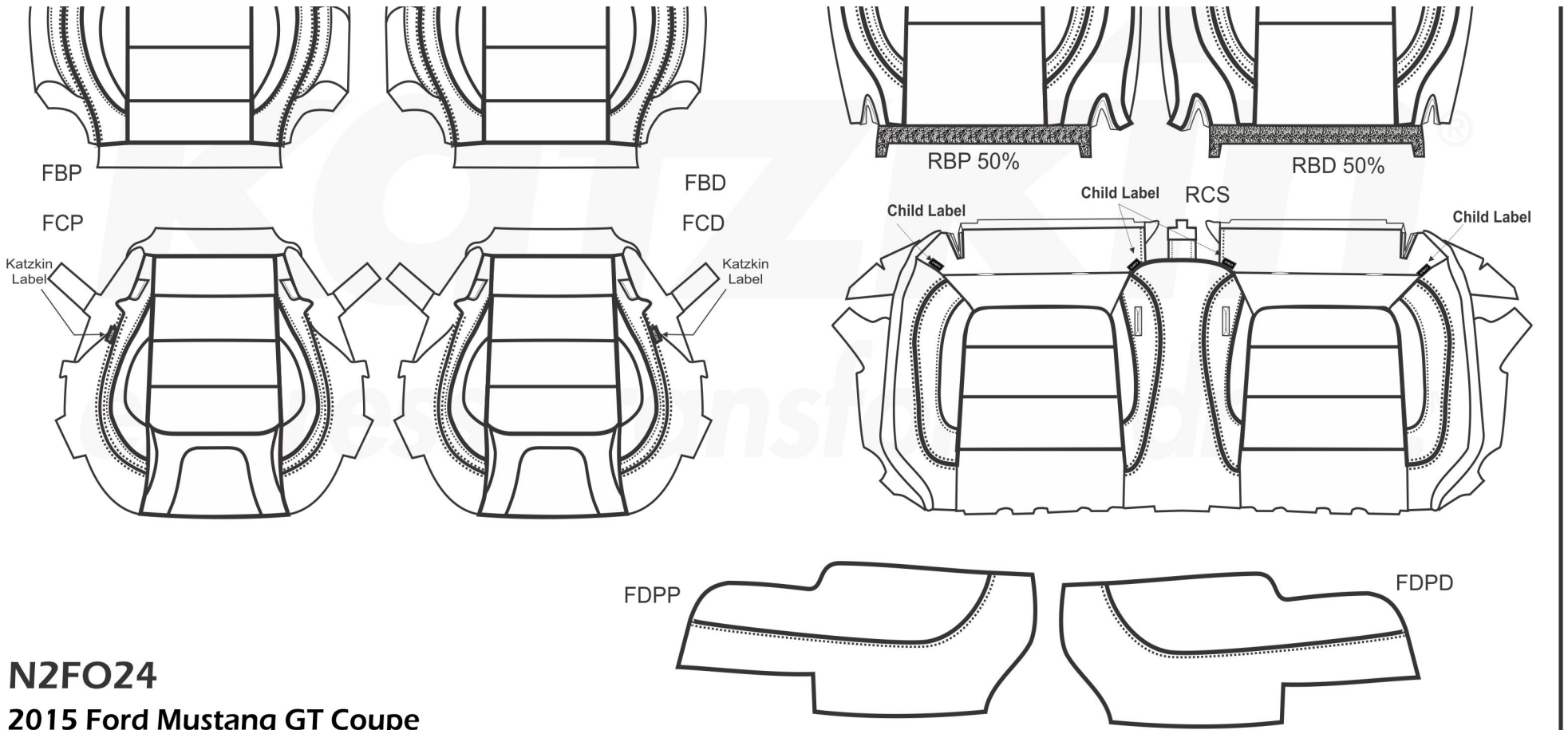
NOTES:

katzkin®
express. transform. drive.™

PATTERN SCHEMATIC

Ramon Avelar
Date Created: 01/19/2015
Revision: 1 - 06/07/2016





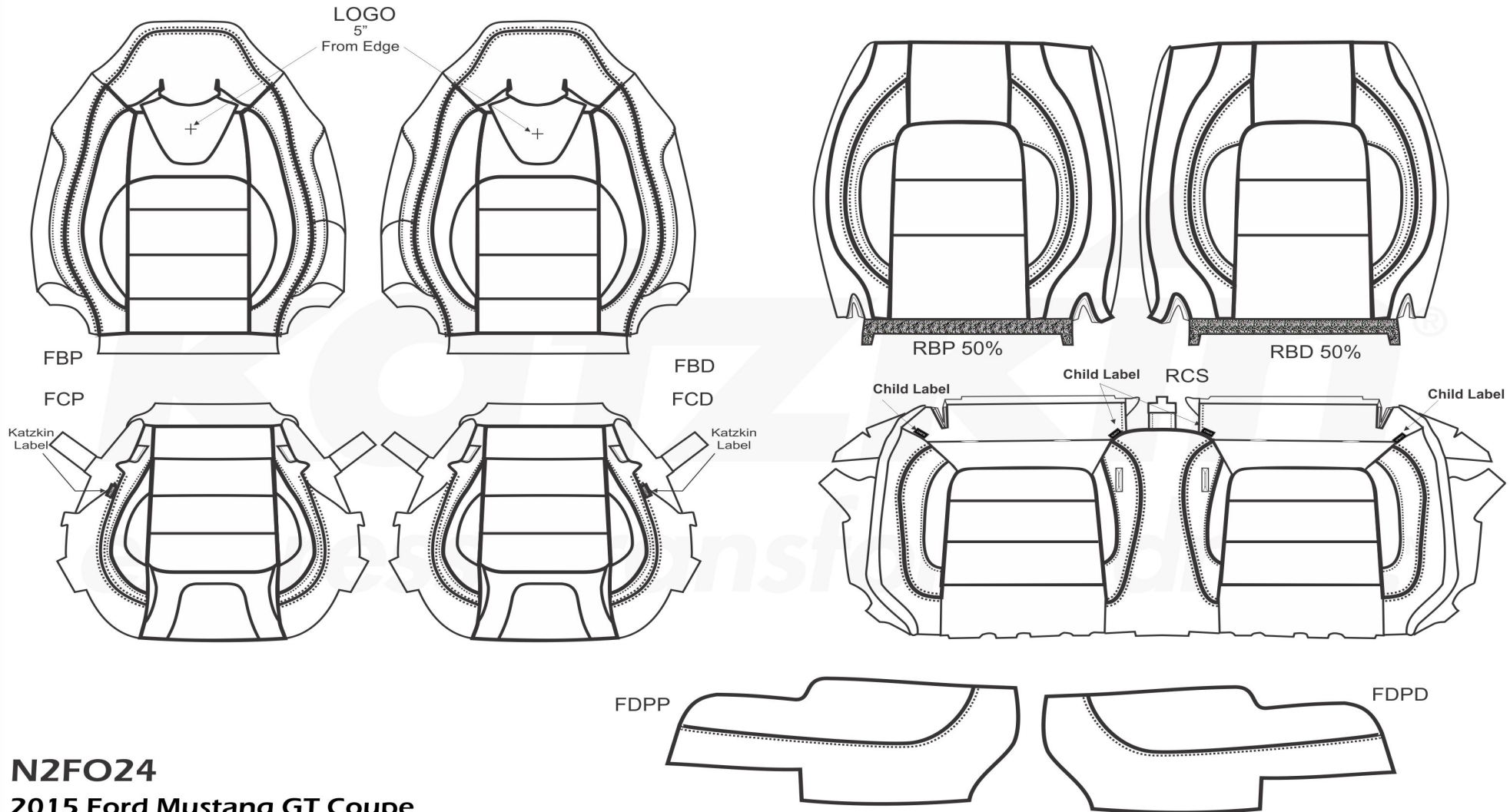
N2FO24

**2015 Ford Mustang GT Coupe
(Recaro Style) with Side Impact Airbags**

SINGLE TONE

MIXING BUSINESS WITH LEATHER SINCE 1983

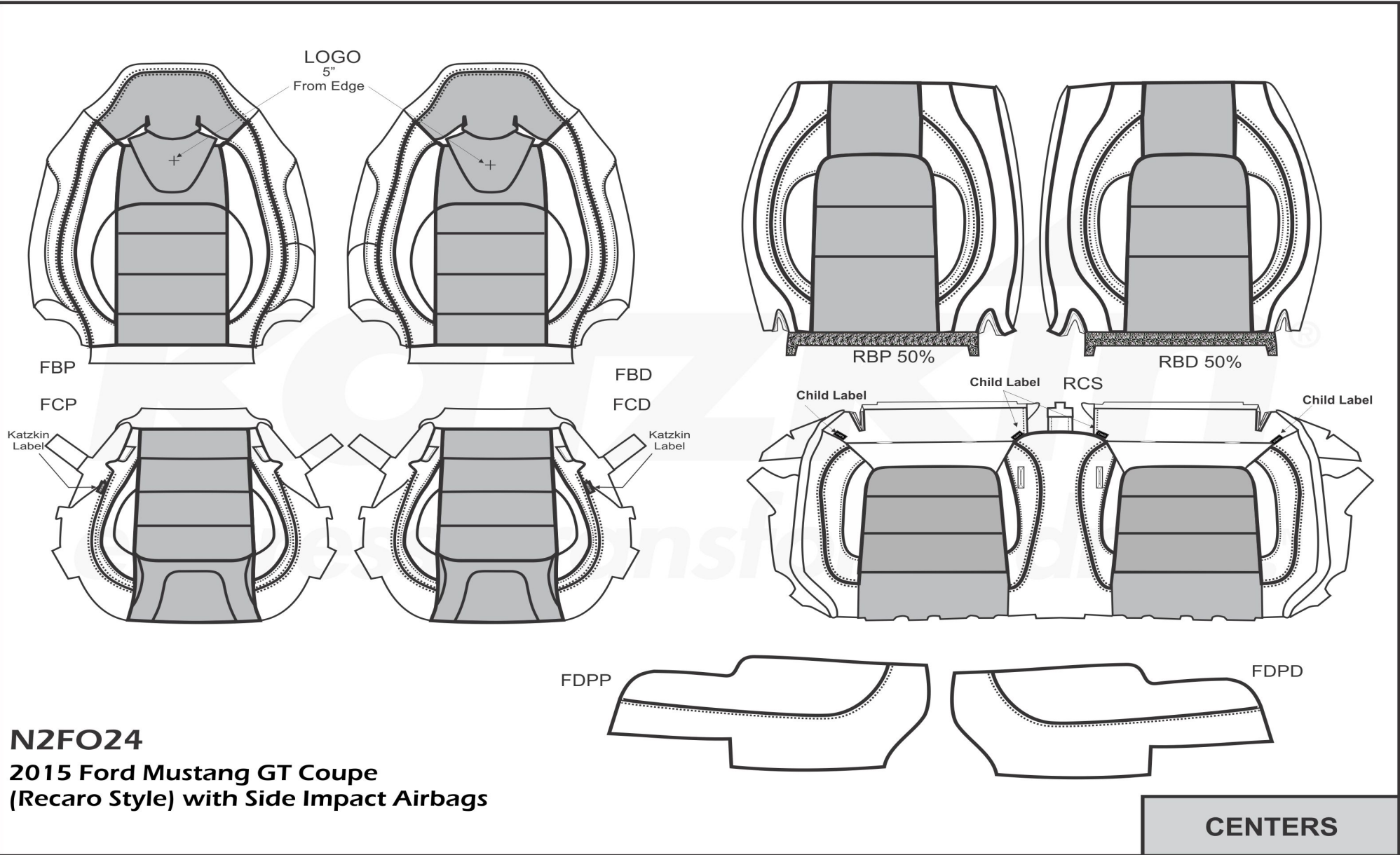
PATTERN SCHEMATIC



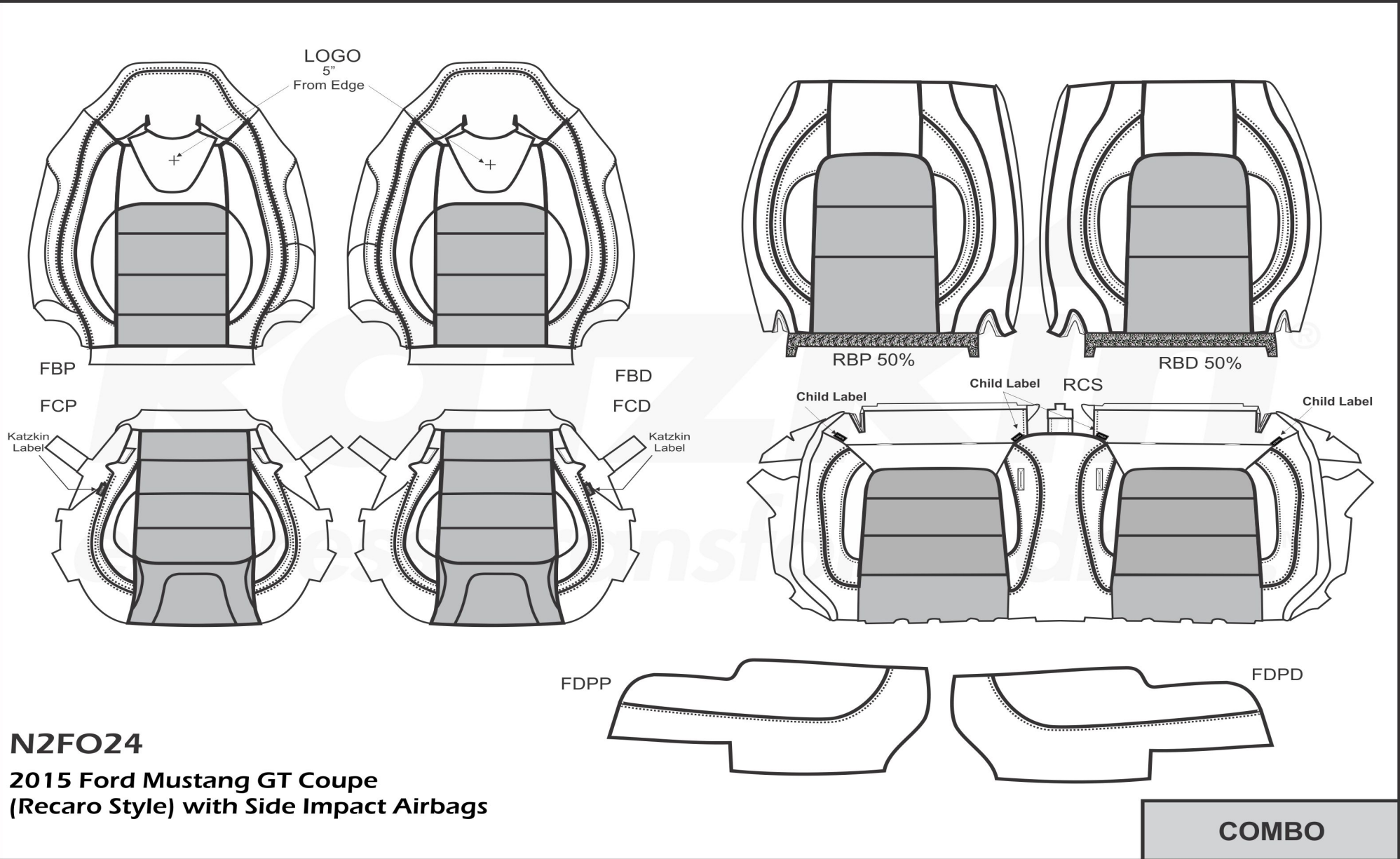
N2FO24
 2015 Ford Mustang GT Coupe
 (Recaro Style) with Side Impact Airbags

SINGLE TONE

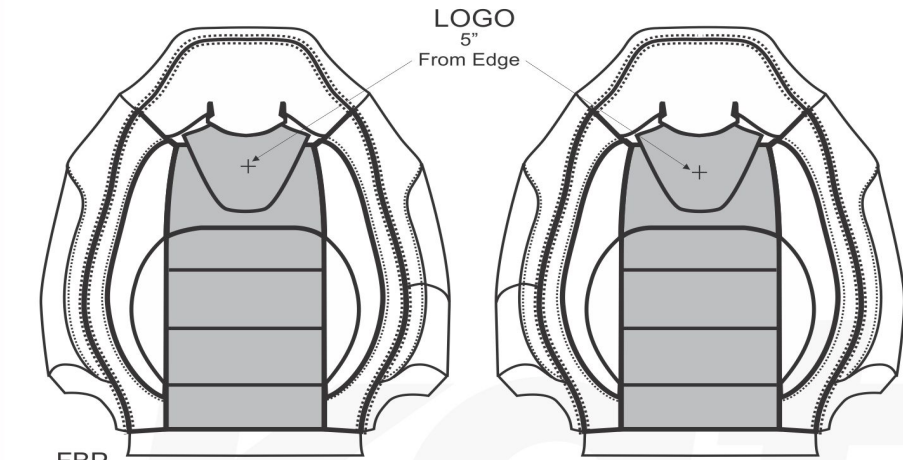
PATTERN SCHEMATIC



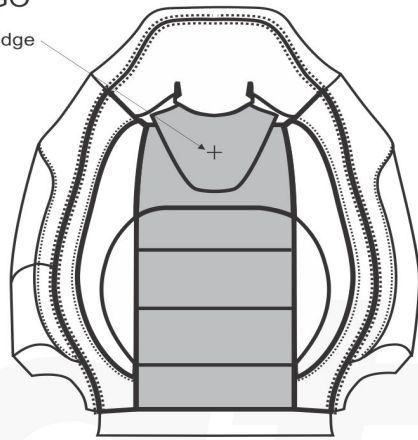
PATTERN SCHEMATIC



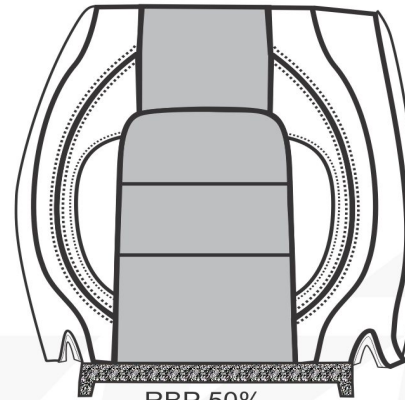
PATTERN SCHEMATIC



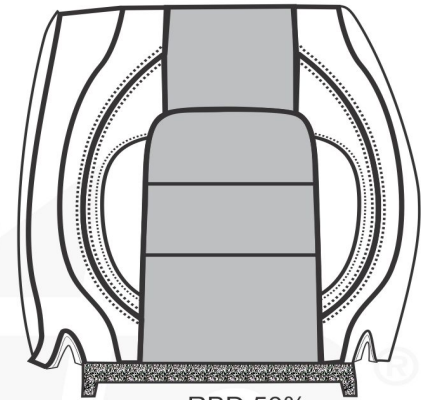
FBP



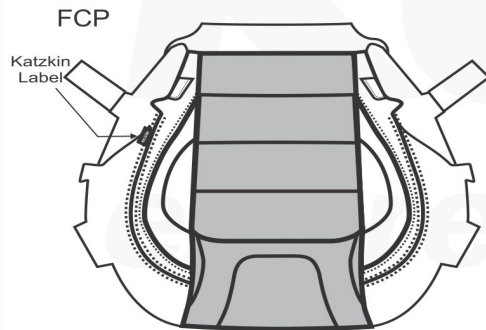
FBD



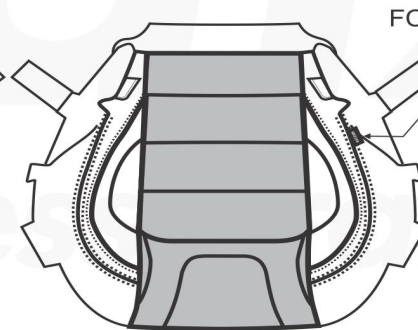
RBP 50%



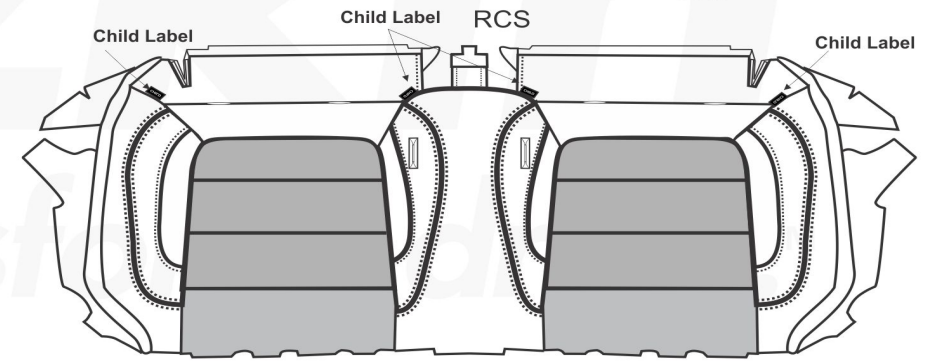
RBD 50%



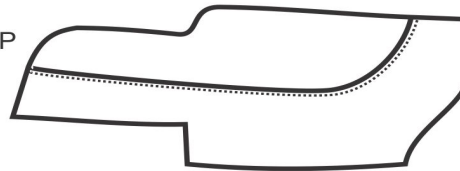
FCP



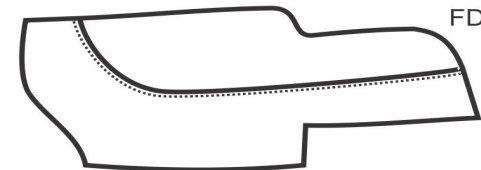
FCD



FDPP



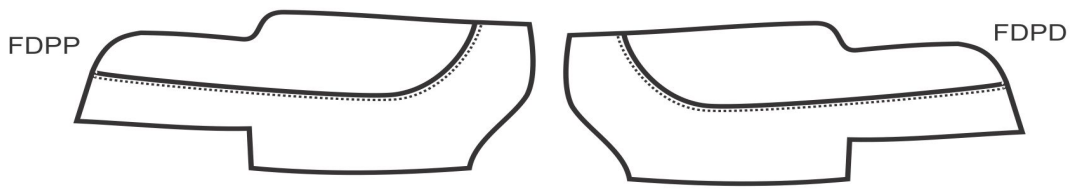
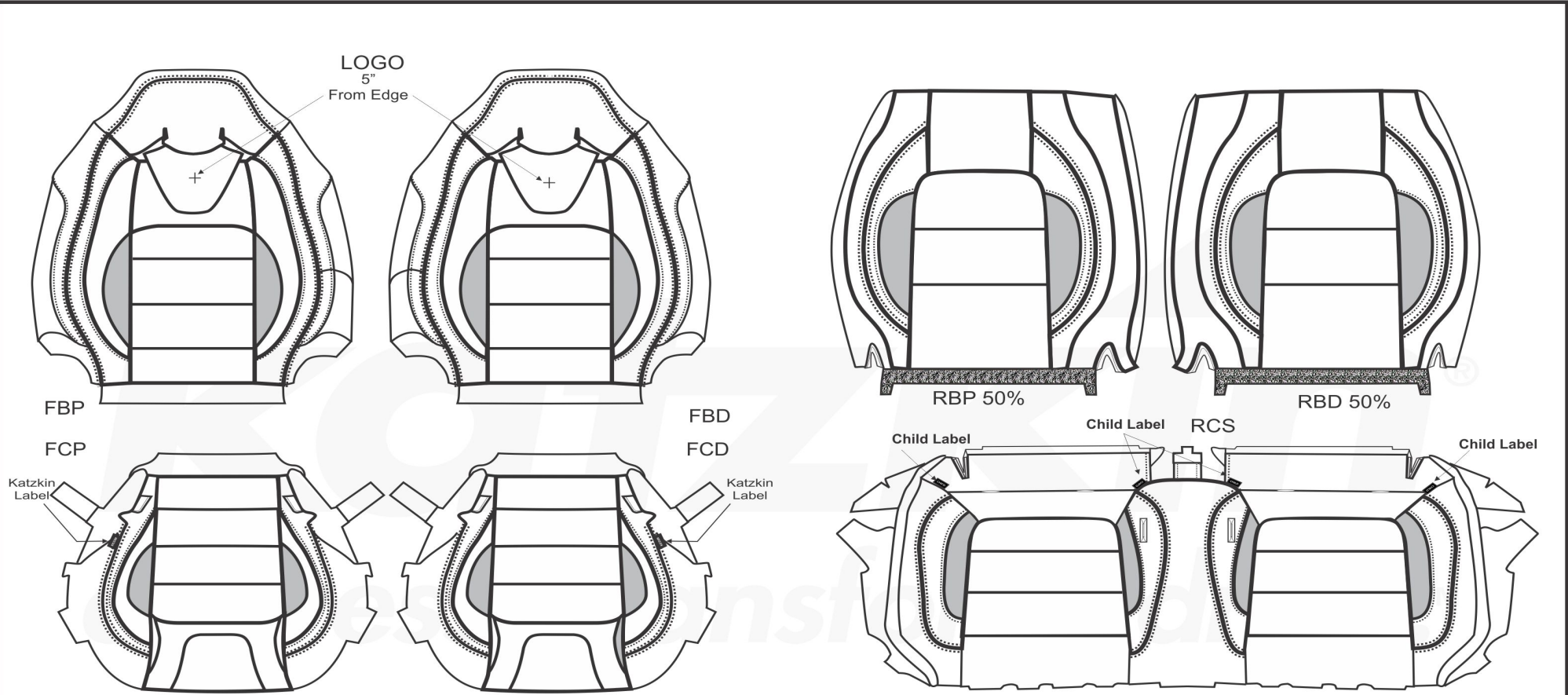
FDPD



N2FO24
 2015 Ford Mustang GT Coupe
 (Recaro Style) with Side Impact Airbags

BODY

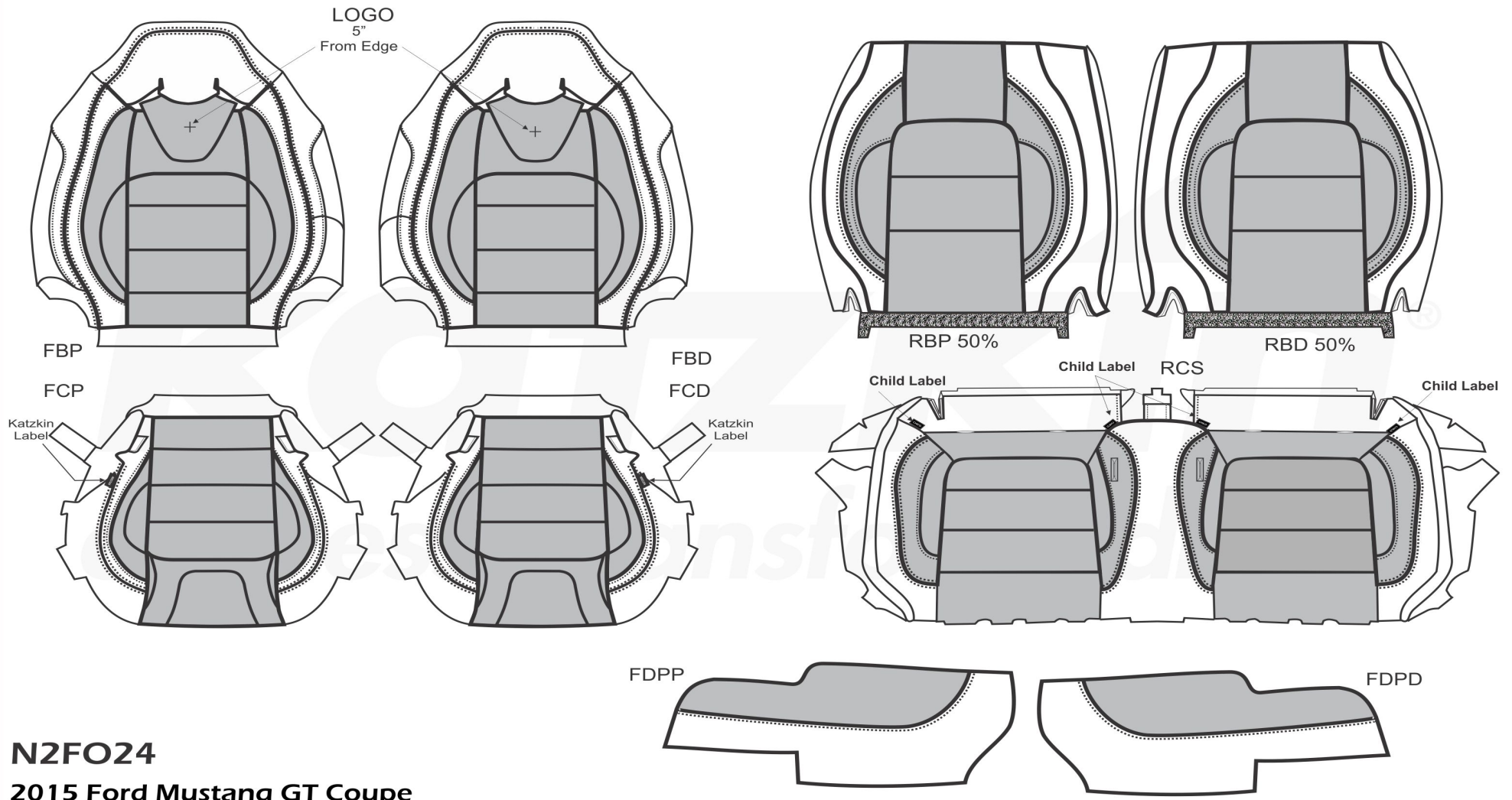
PATTERN SCHEMATIC



N2FO24
 2015 Ford Mustang GT Coupe
 (Recaro Style) with Side Impact Airbags

WINGS

PATTERN SCHEMATIC



N2FO24

**2015 Ford Mustang GT Coupe
 (Recaro Style) with Side Impact Airbags**

FACE