

23 - Body / Interior / BAR, Sport, Speaker Pod / Removal and Installation

REMOVAL AND INSTALLATION

REMOVAL

1. Disconnect and isolate the negative battery cable(s) ([Refer to 08 - Electrical/Battery System/Standard Procedure](#)).

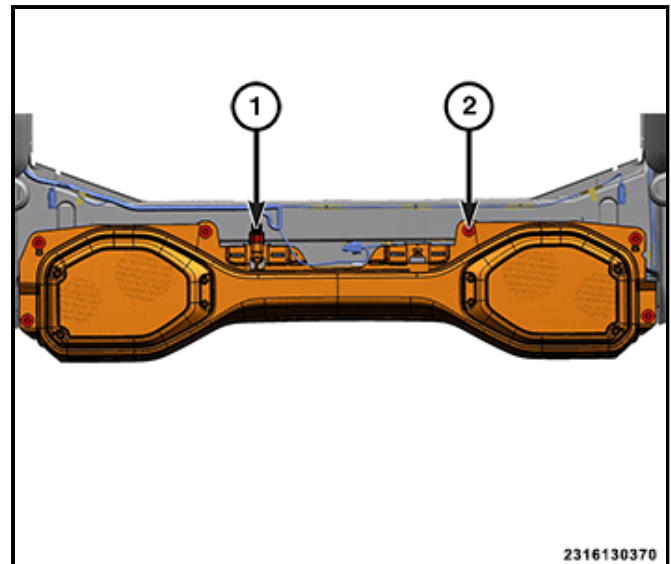
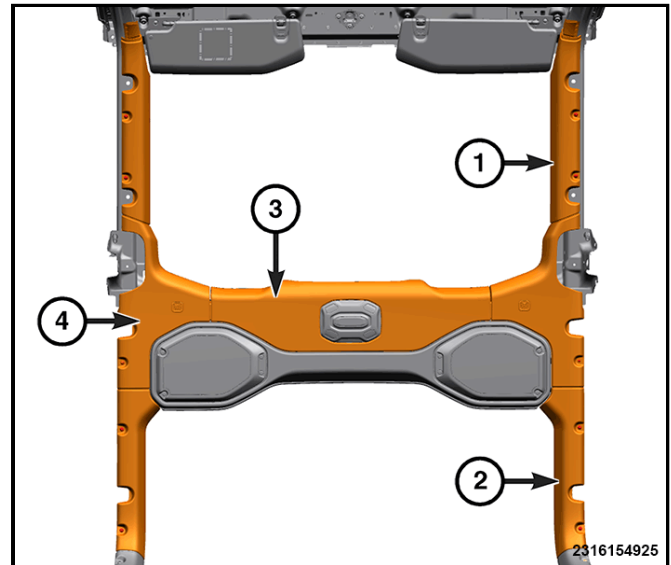
2. Remove the four screws from the driver and passenger side front door sport bar covers (1). Remove both trim covers from vehicle.

3. Remove the four screws from the driver and passenger side rear door sport bar covers (2). Remove both trim covers from vehicle.

4. Remove the three screws from the center sport bar cover (3) and disconnect electrical connector for dome light. Remove center sport bar cover from vehicle.

5. Remove the screw and plastic fastener from the driver and passenger side sport bar cover (4). Using a trim stick of equivalent, remove both trim covers from vehicle.

6. Disconnect the wire harness connector (1), remove the six bolts (2) and lower the speaker pod.



INSTALLATION

1. Position the speaker pod to the sport bar and connect the wire harness connector.

2. Install the six bolts and tighten.

3. Install the sports bar covers in the reverse order of removal.

4. Install the sports bar cover screws and tighten securely.

5. Connect the negative battery cable(s) [\(Refer to 08 - Electrical/Battery System/Standard Procedure\)](#).