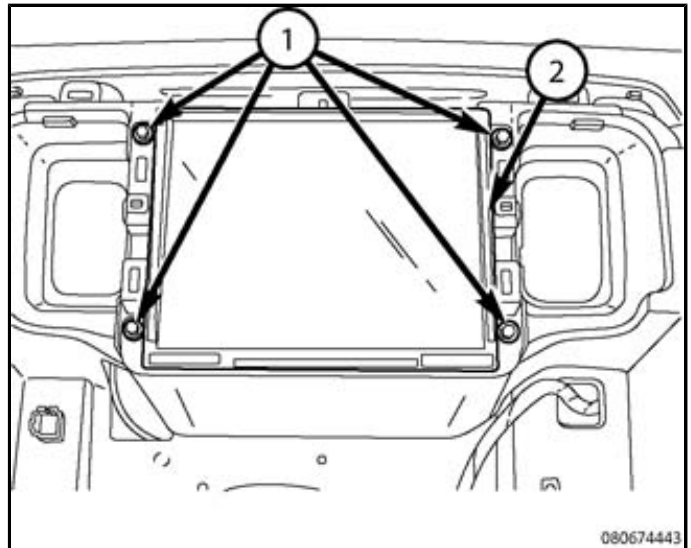


REMOVAL

1. Disconnect the negative battery cable.
2. Remove the center trim bezel from the instrument panel, (Refer to 23 - Body/Instrument Panel/BEZEL, Instrument Panel - Removal).

CAUTION: Pulling the antenna cable straight out of the radio without pulling on the locking antenna connector could damage the cable or radio.

3. Remove the four fasteners (1) securing the Radio Receiver Module (RRM) (2) to the instrument panel.
4. Pull the RRM out far enough to access the back of the RRM.



5. Disconnect the antennas (2), and electrical connector (1).
6. If equipped, disconnect the USB connector (3).
7. Remove the RRM from the instrument panel.

