

katzkin® NEW PATTERN DATA SHEET

PATTERN #

N2FO11

AVAILABLE

Ford F-150 Super Crew XLT '15 w/ 40/20/40 Front Bench; w/ Side Impact Airbags

Factory Color	Recommended Katzkin Color
Black	Black
Medium Earth Gray	Stone
Medium Light Camel	Bisque

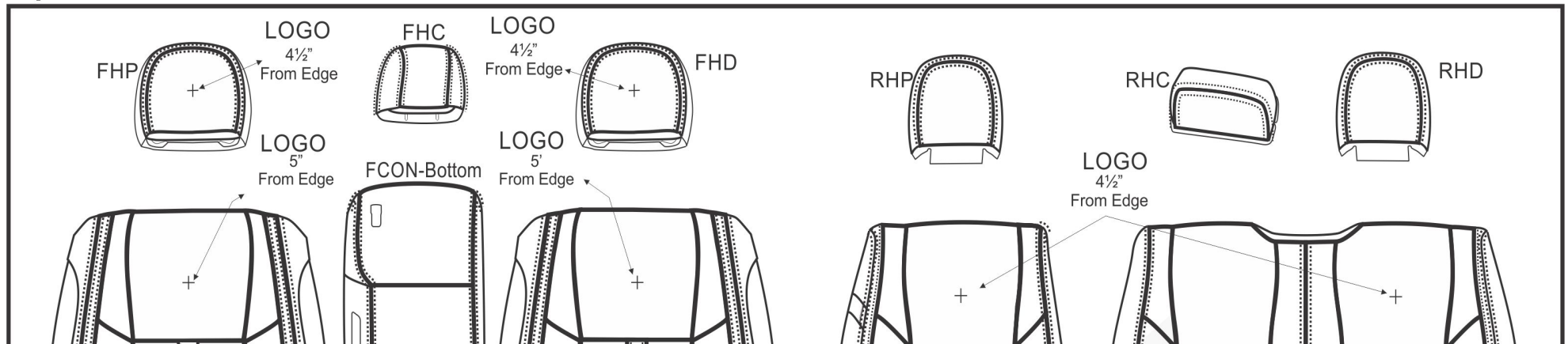
Other Seating Configurations	

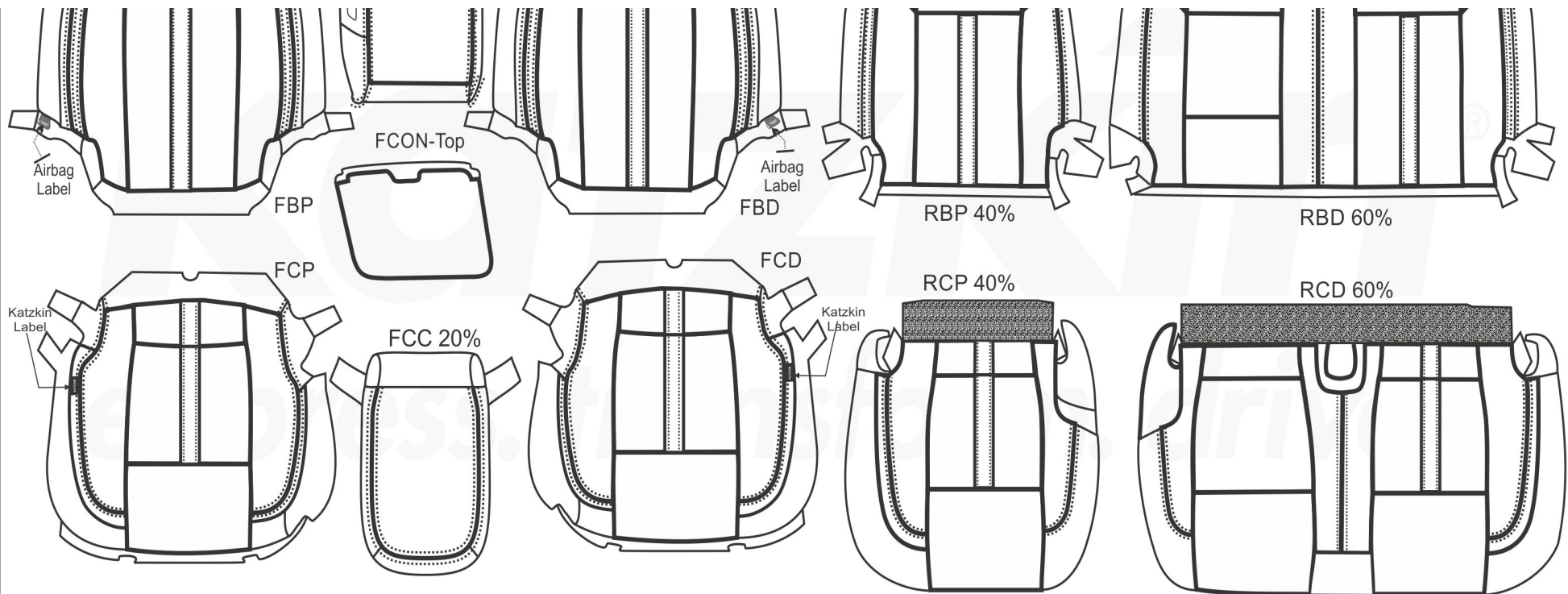
NOTES:

katzkin®
express. transform. drive.™

PATTERN SCHEMATIC

Ramon Avelar
Date Created: 01/19/2015
Revision: 7 - 06/26/2018





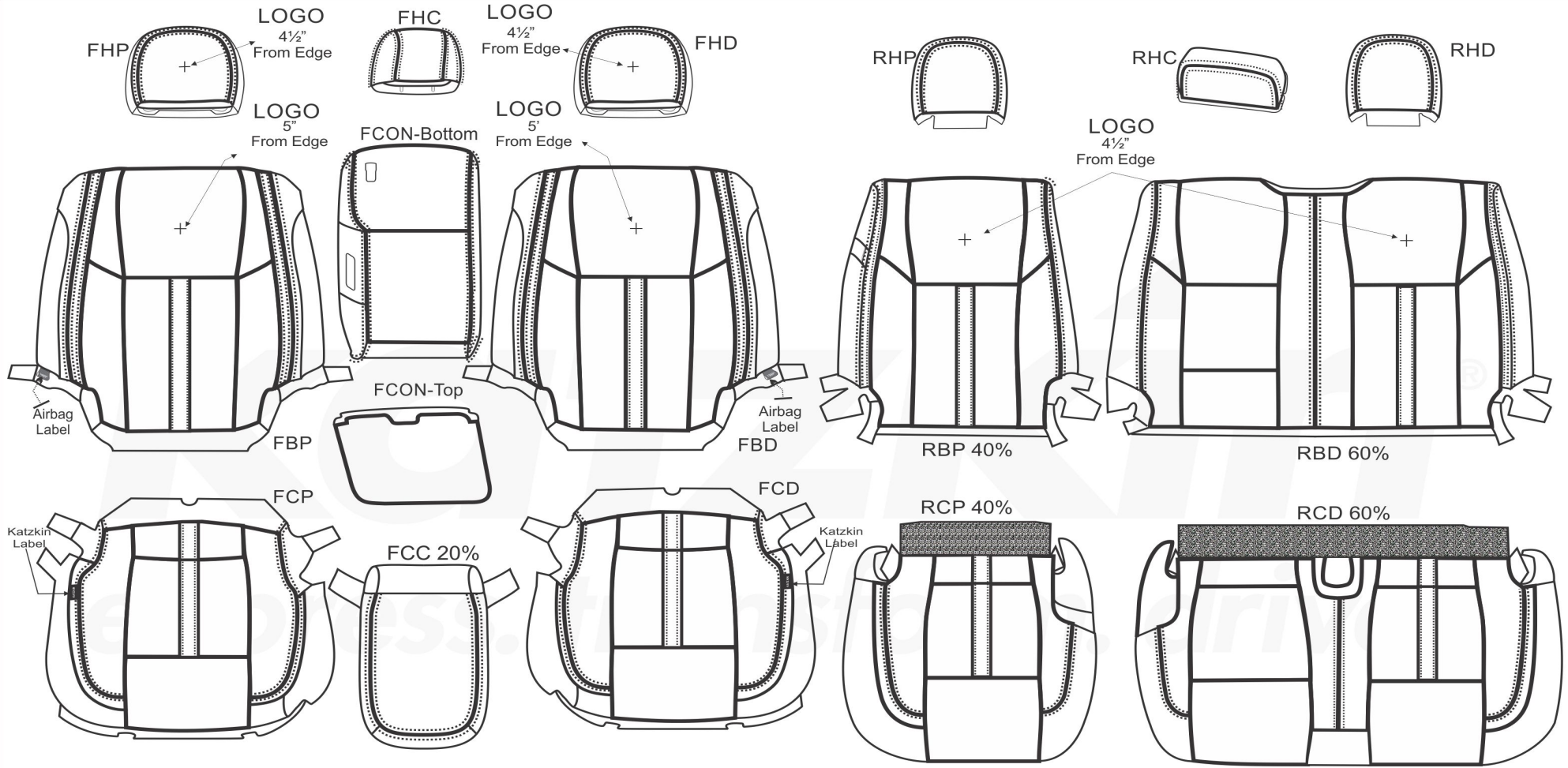
N2FO11

**2015 Ford F150 Super Crew XLT
with 40/20/40 Front Bench
with Side Impact Airbags**

SINGLE TONE

MIXING BUSINESS WITH LEATHER SINCE 1983

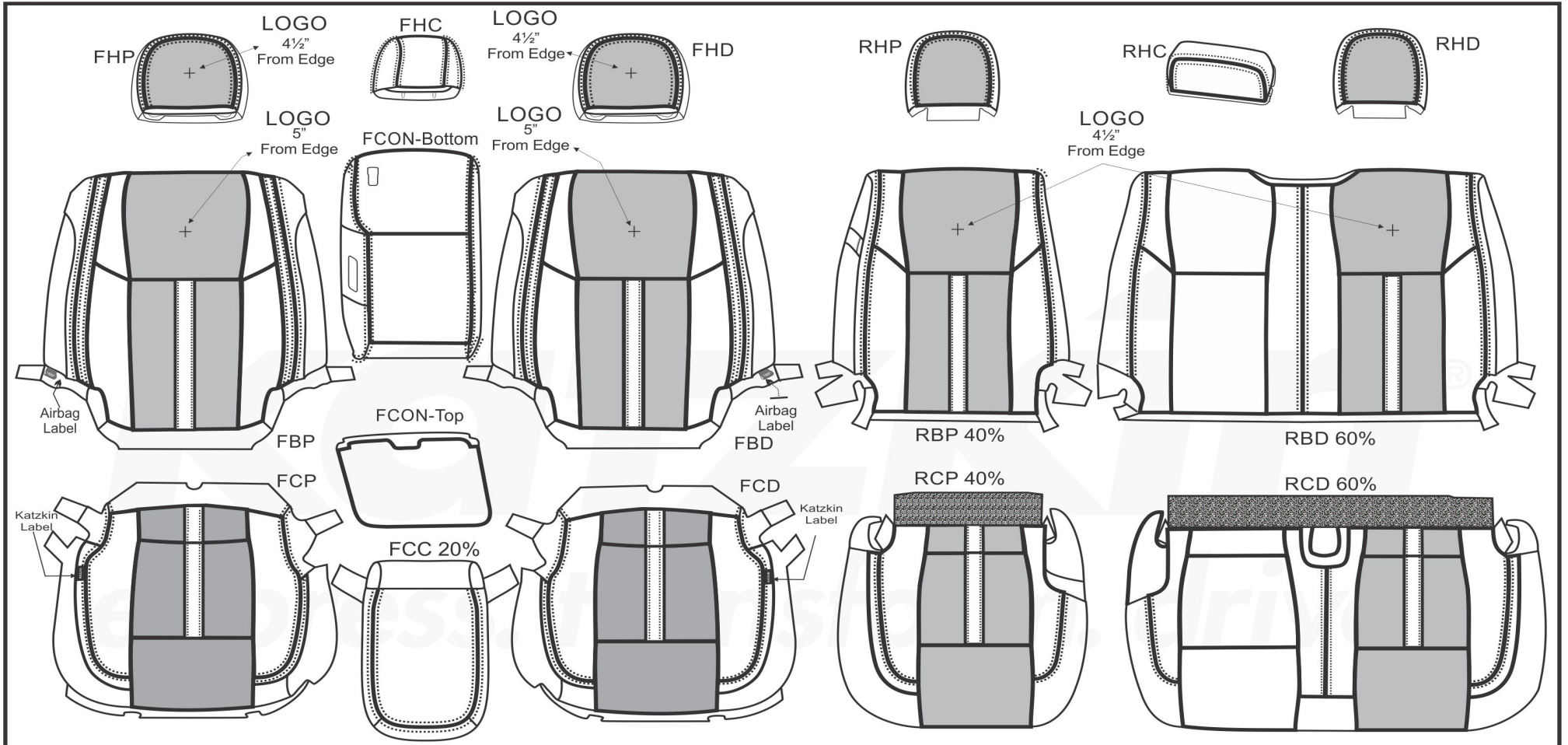
PATTERN SCHEMATIC



N2FO11
2015 Ford F150 Super Crew XLT
with 40/20/40 Front Bench
with Side Impact Airbags

SINGLE TONE

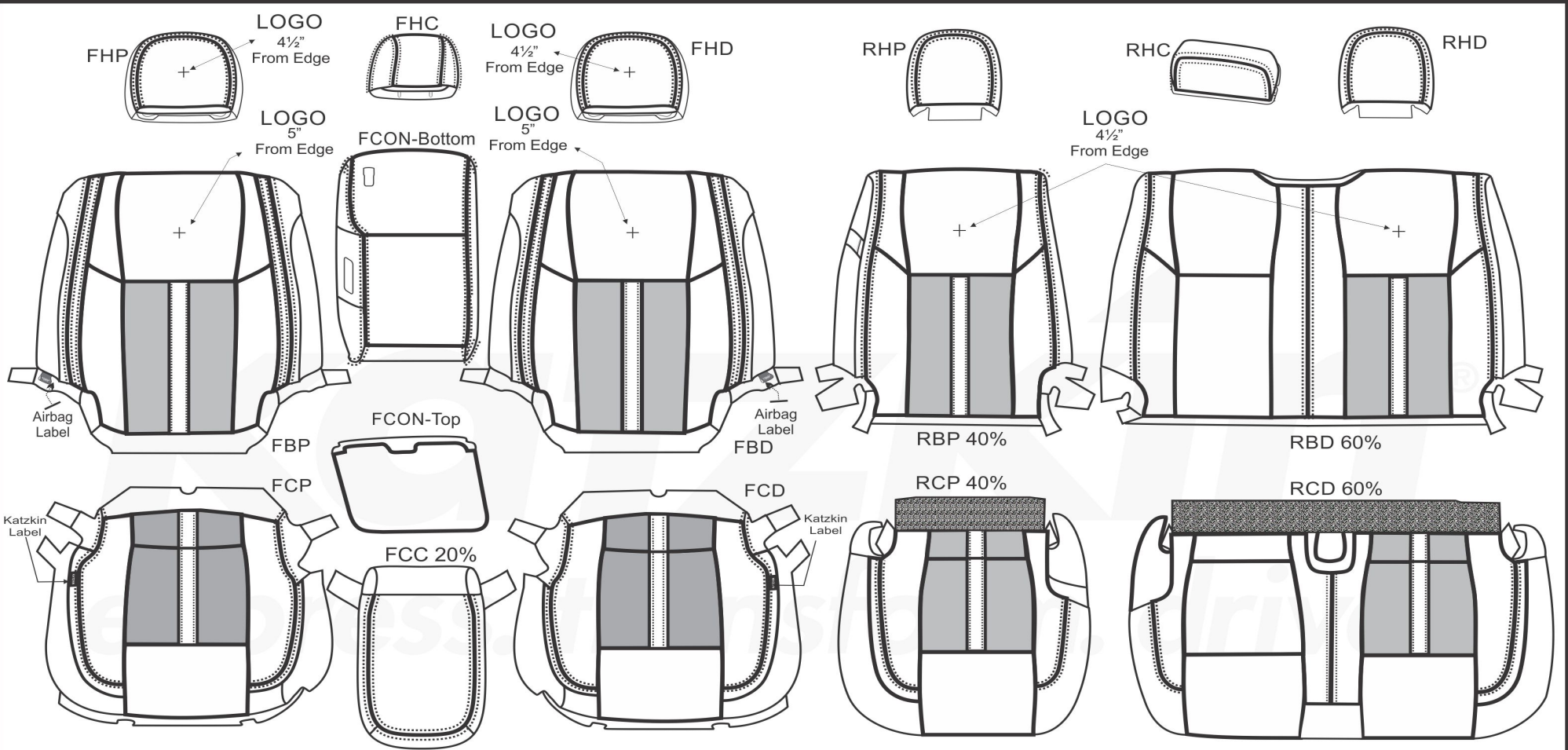
PATTERN SCHEMATIC



N2FO11
2015 Ford F150 Super Crew XLT
with 40/20/40 Front Bench
with Side Impact Airbags

CENTERS

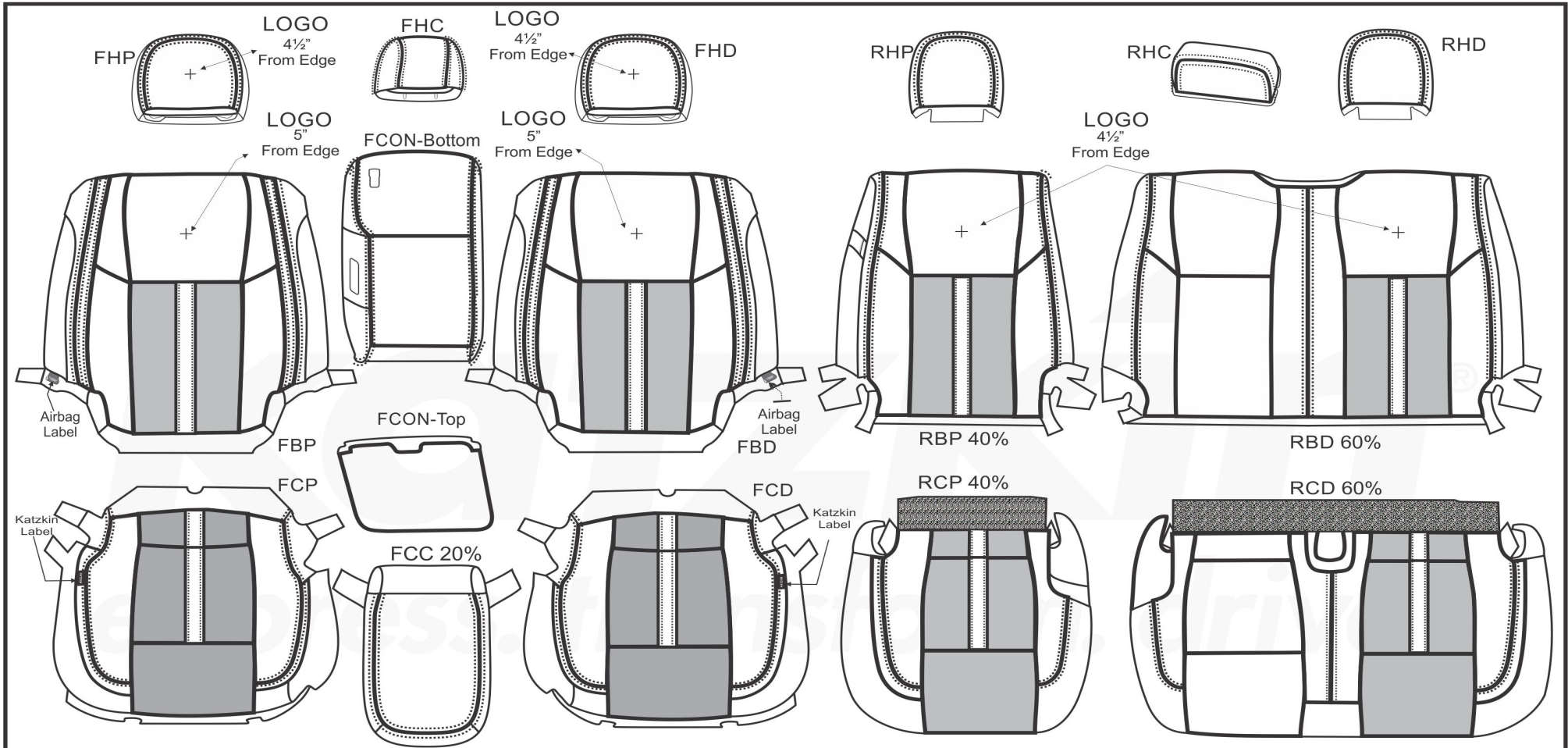
PATTERN SCHEMATIC



N2FO11
 2015 Ford F150 Super Crew XLT
 with 40/20/40 Front Bench
 with Side Impact Airbags

INSERTS

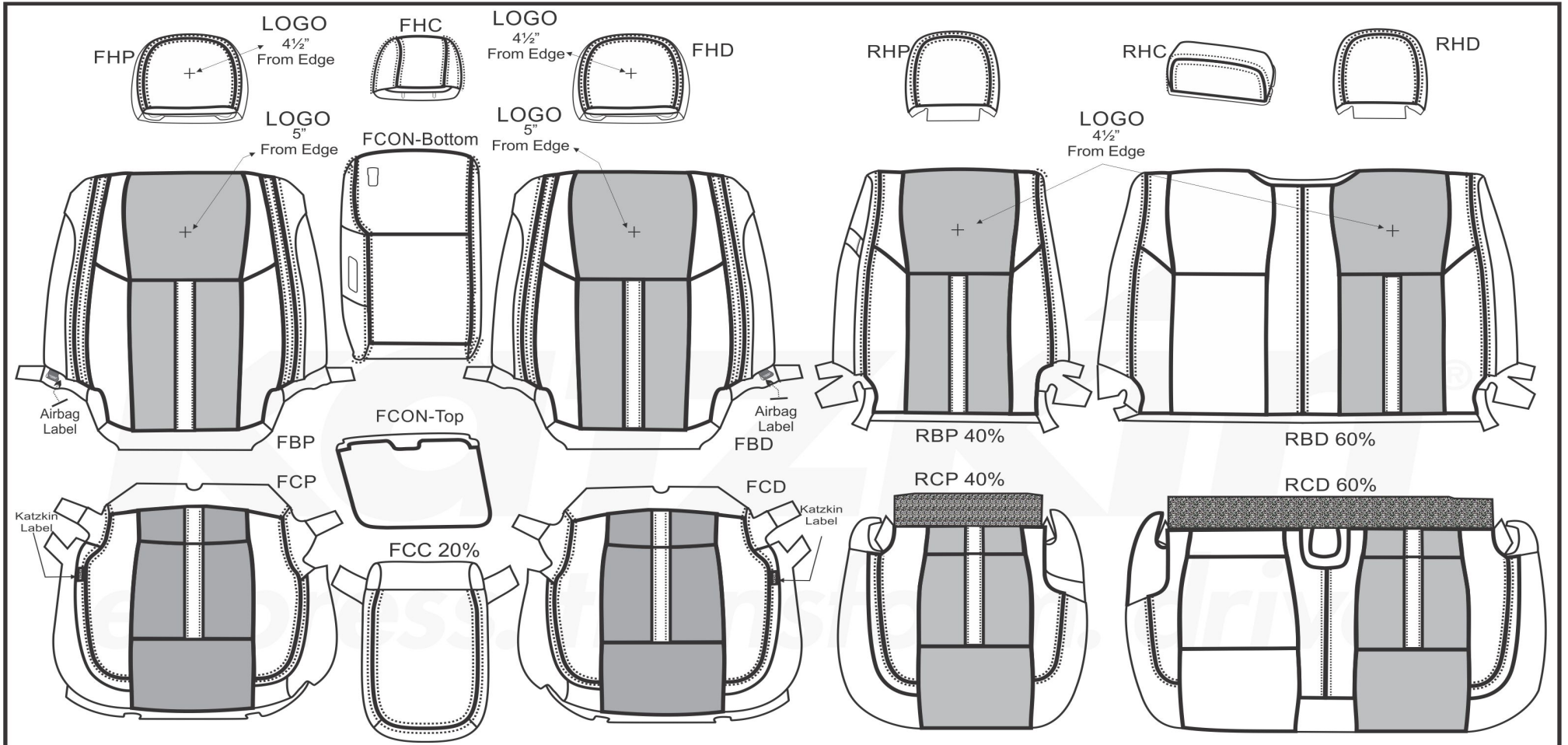
PATTERN SCHEMATIC



N2FO11
 2015 Ford F150 Super Crew XLT
 with 40/20/40 Front Bench
 with Side Impact Airbags

COMBO

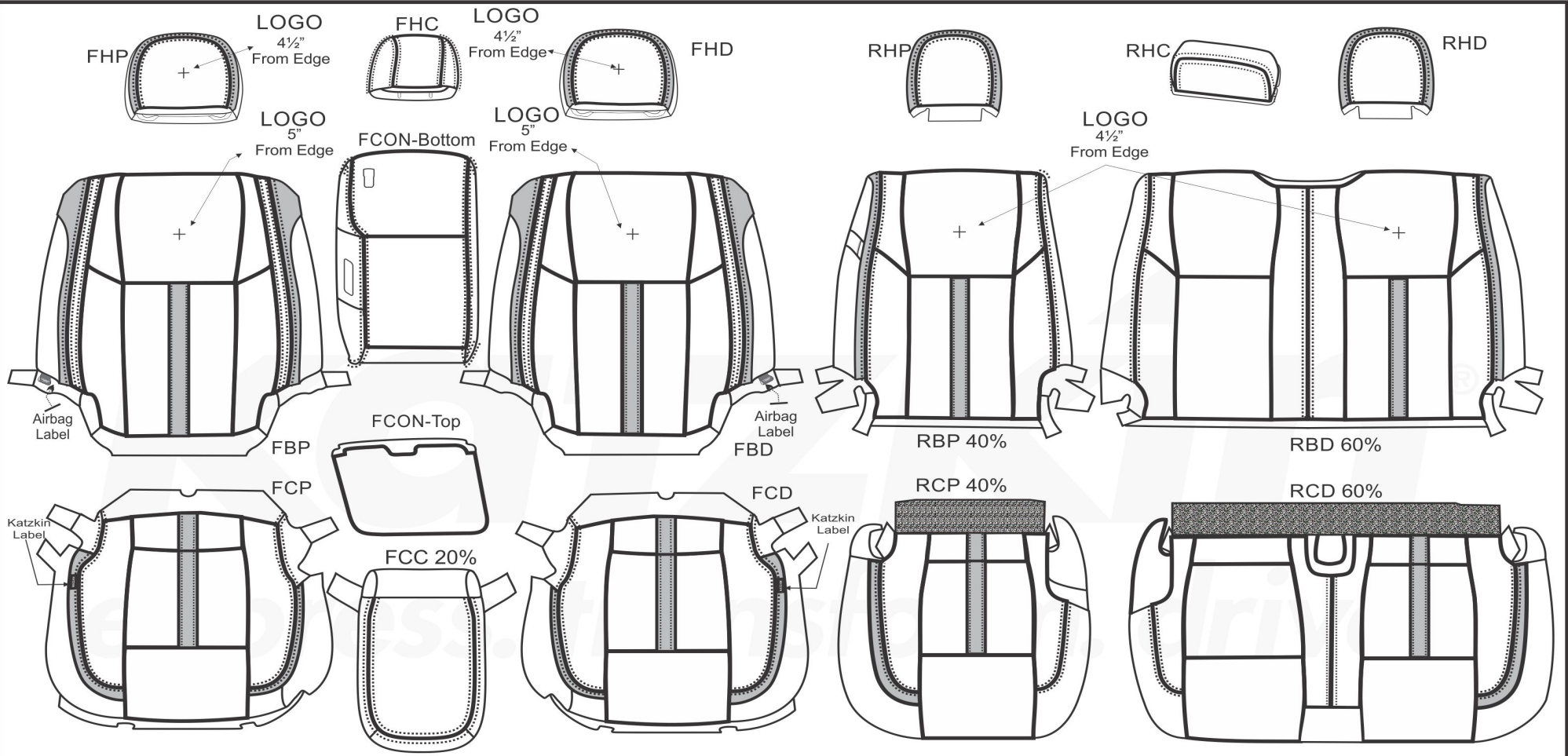
PATTERN SCHEMATIC



N2FO11
2015 Ford F150 Super Crew XLT
with 40/20/40 Front Bench
with Side Impact Airbags

BODY

PATTERN SCHEMATIC



N2FO11
 2015 Ford F150 Super Crew XLT
 with 40/20/40 Front Bench
 with Side Impact Airbags

WINGS