

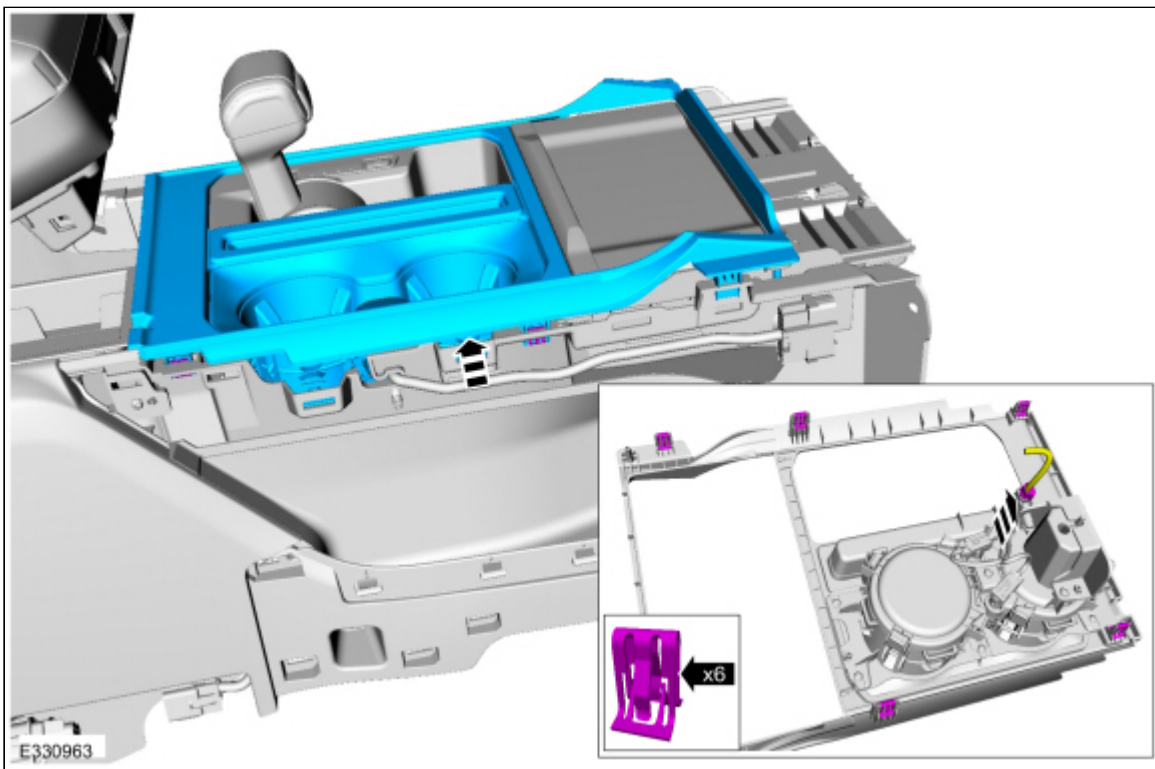
Wireless Accessory Charging Module (WACM)

Removal

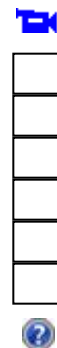
1. **NOTE:** If installing a new module, it is necessary to upload the module configuration information to the scan tool prior to removing the module. This information must be downloaded into the new module after installation.

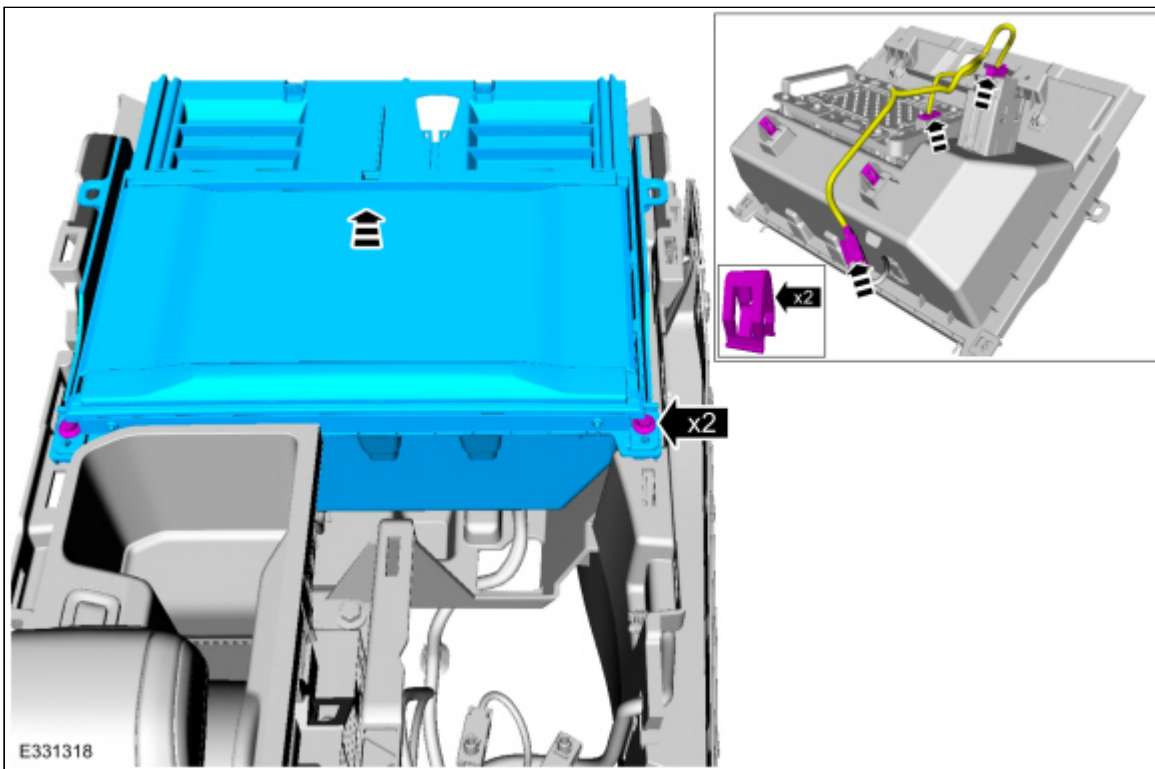
Using a diagnostic scan tool, begin the PMI process for the WACM following the on-screen instructions.

2. Remove the floor console.
Refer to: [Floor Console](#) (501-12 Instrument Panel and Console, Removal and Installation).
3. Release the clips and remove the upper trim panel.
 - Disconnect the electrical connector.

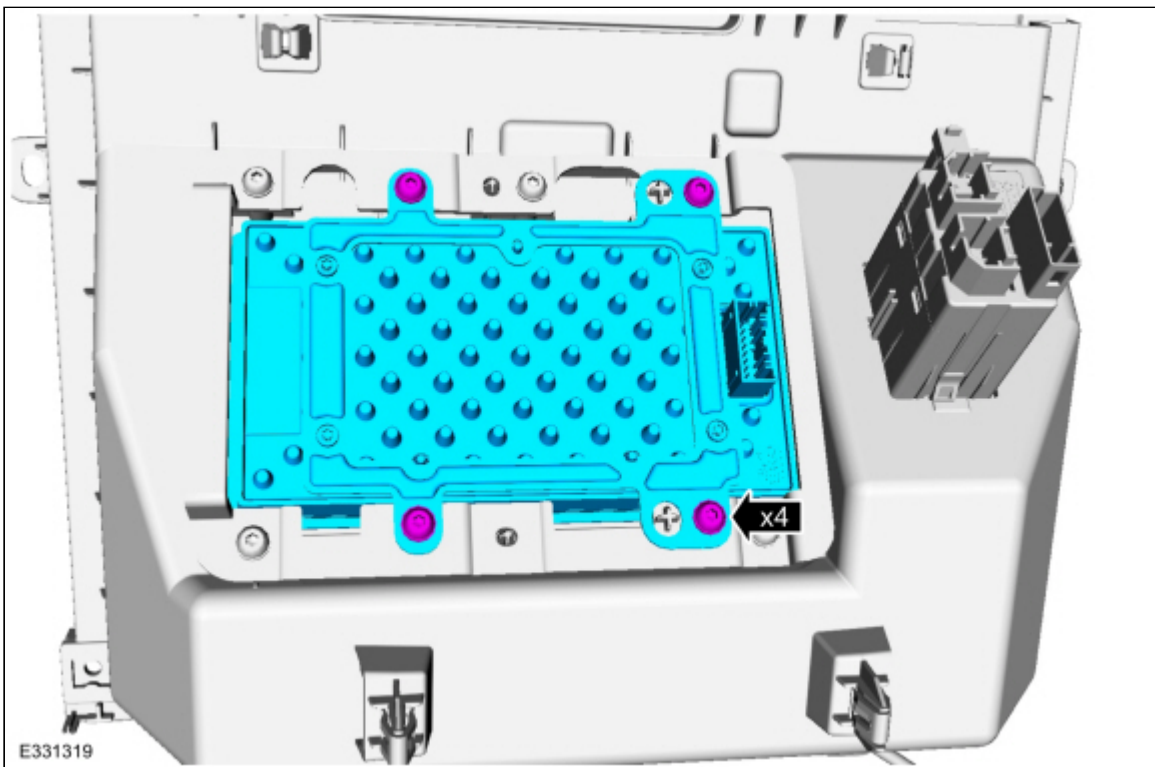


4. Remove the bolts release the clips and remove the storage bin.
 - Disconnect the electrical connector.





5. Remove the screws and the WACM .



Installation

1. To install, reverse the removal procedure.
2. **NOTE:** *This step is only necessary if replacing the WACM .*

Using a diagnostic scan tool, complete the PMI process for the WACM following the on-screen instructions.

