

Audio Front Control Module (ACM)

Special Tool(s) / General Equipment

Interior Trim Remover

Removal

NOTE: Removal steps in this procedure may contain installation details.

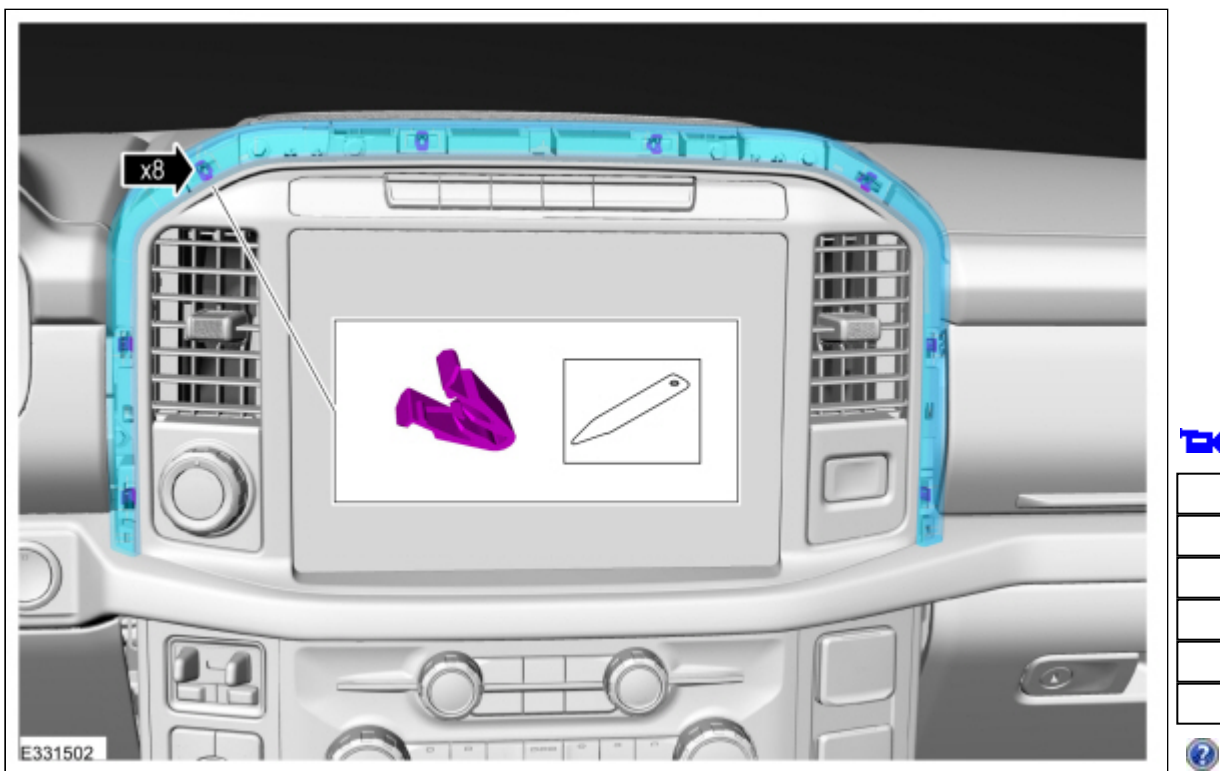
All vehicles

1. **NOTE:** If installing a new module, it is necessary to upload the module configuration information to the scan tool prior to removing the module. This information must be downloaded into the new module after installation.

Using a diagnostic scan tool, begin the [PMI](#) process for the [ACM](#) following the onscreen instructions.

2. **NOTE:** 12 inch screen shown, 10 inch screen is similar.

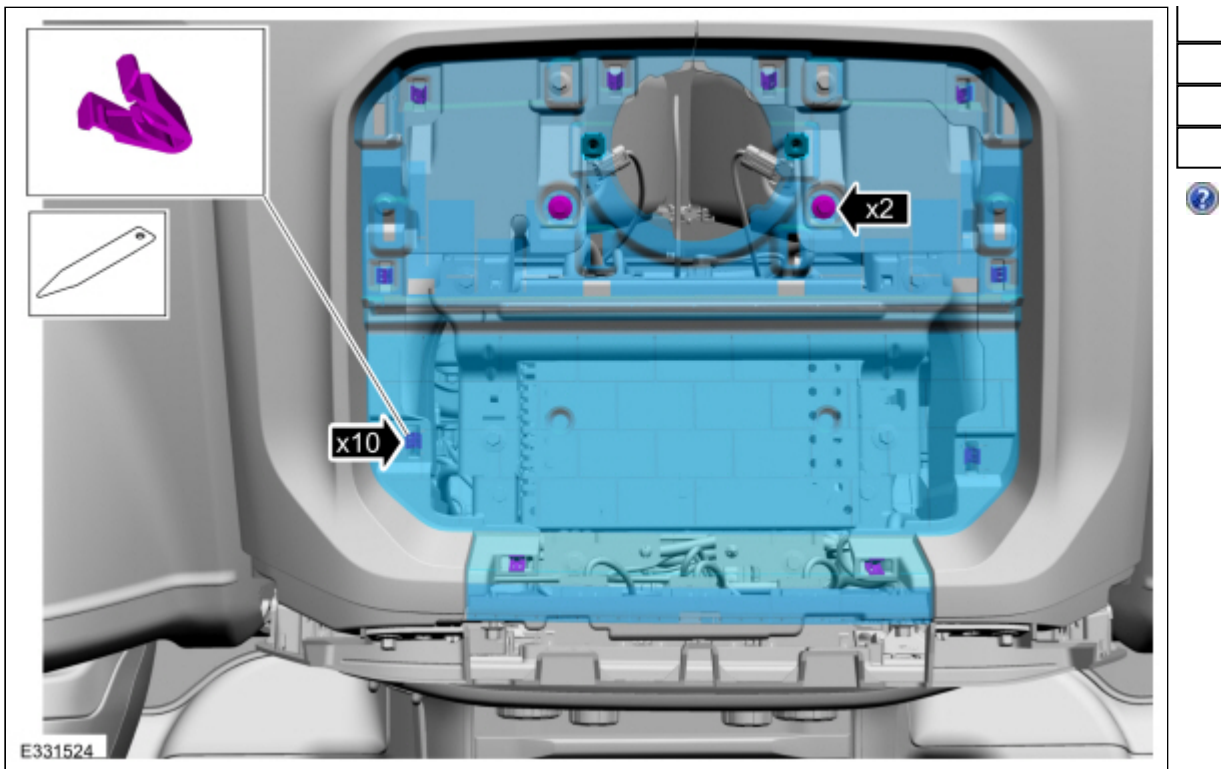
Release the clips and remove the upper centerstack bezel.
Use the General Equipment: Interior Trim Remover



Vehicles equipped with an instrument panel center speaker

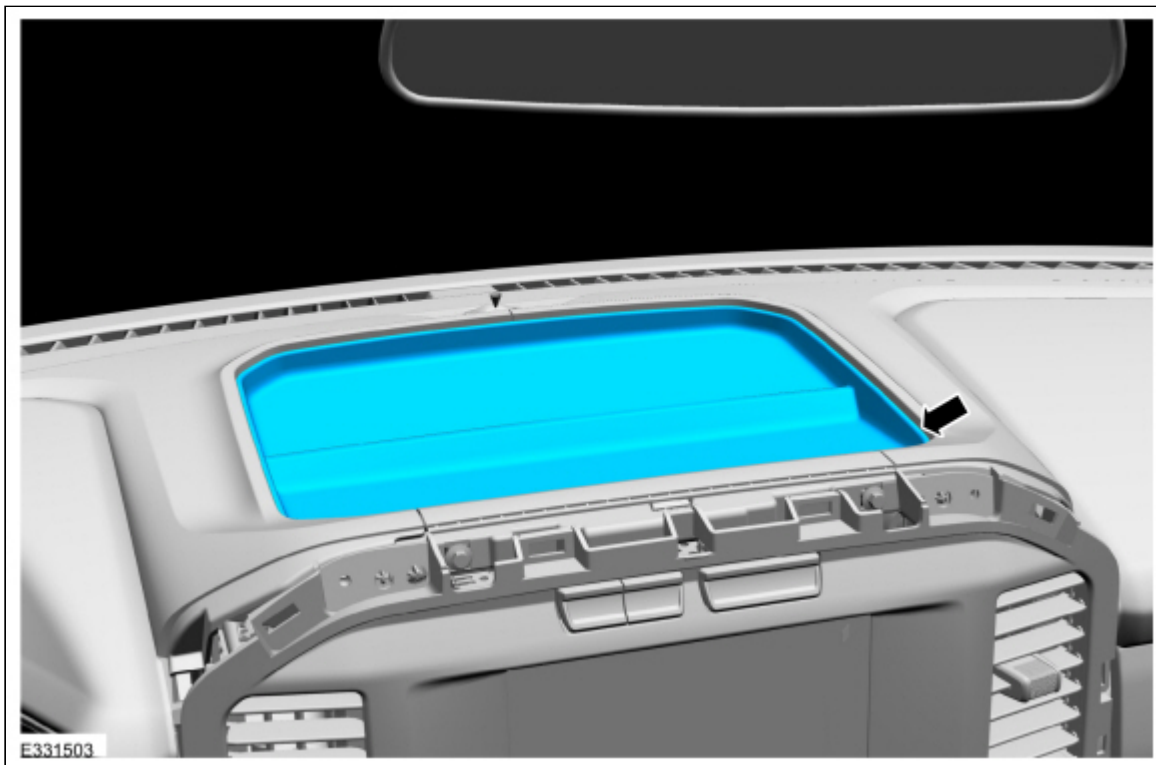
3. Remove the instrument panel center speaker.
Refer to: [Instrument Panel Center Speaker](#) (415-00 Information and Entertainment System - General Information, Removal and Installation).
4. Remove the screws, release the clips and remove the instrument panel center speaker mounting plate.



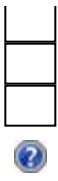
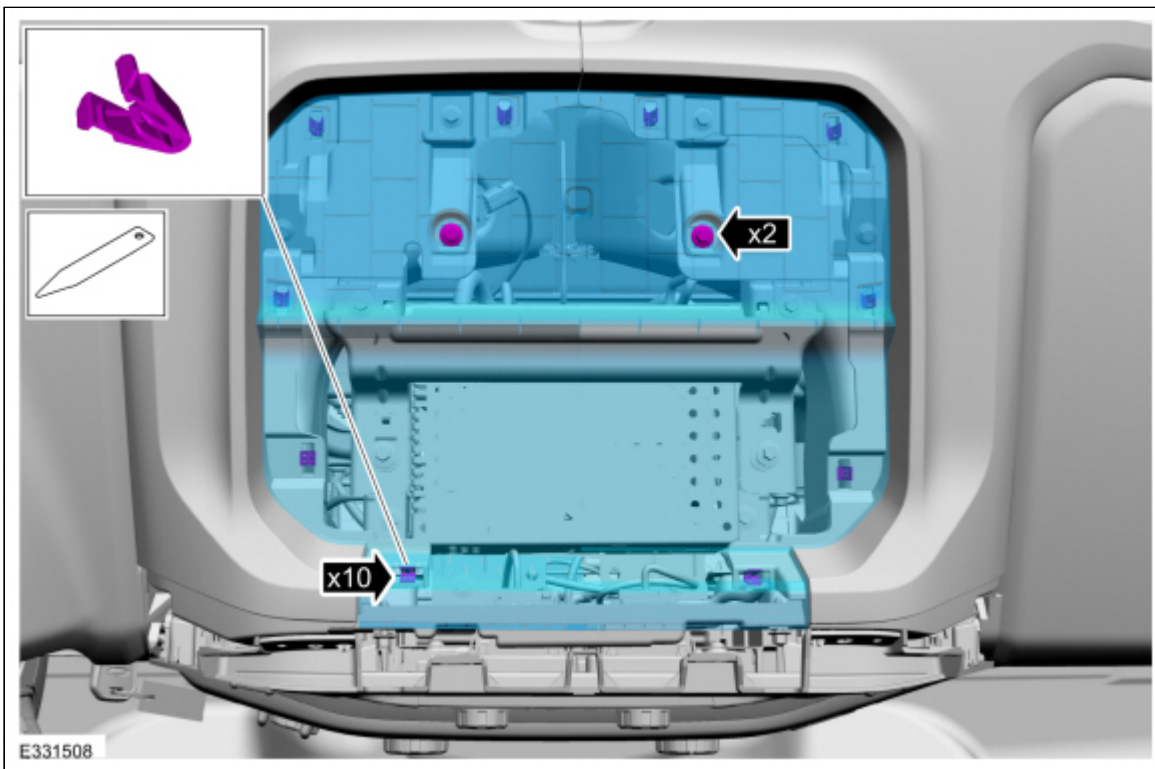


Vehicles not equipped with an instrument panel center speaker

5. Remove the upper instrument panel tray liner.

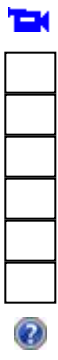
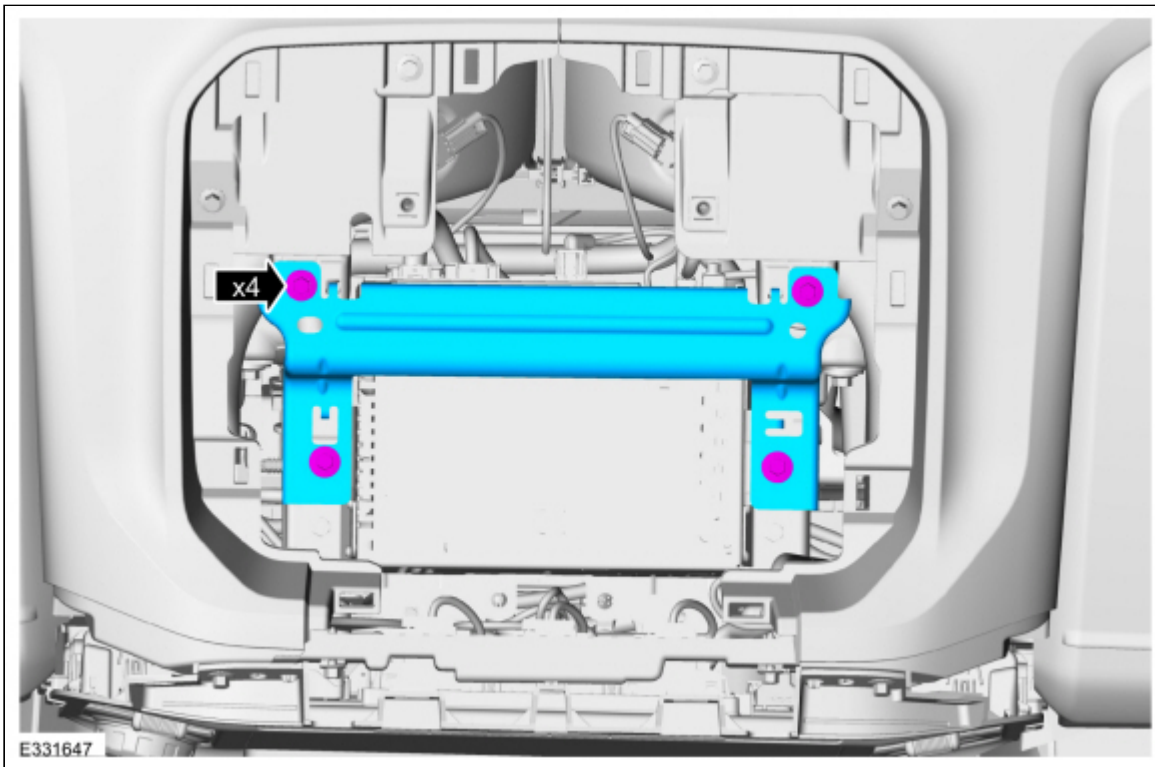


6. Remove the screws, release the clips and remove the upper instrument panel tray.

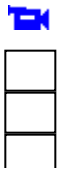


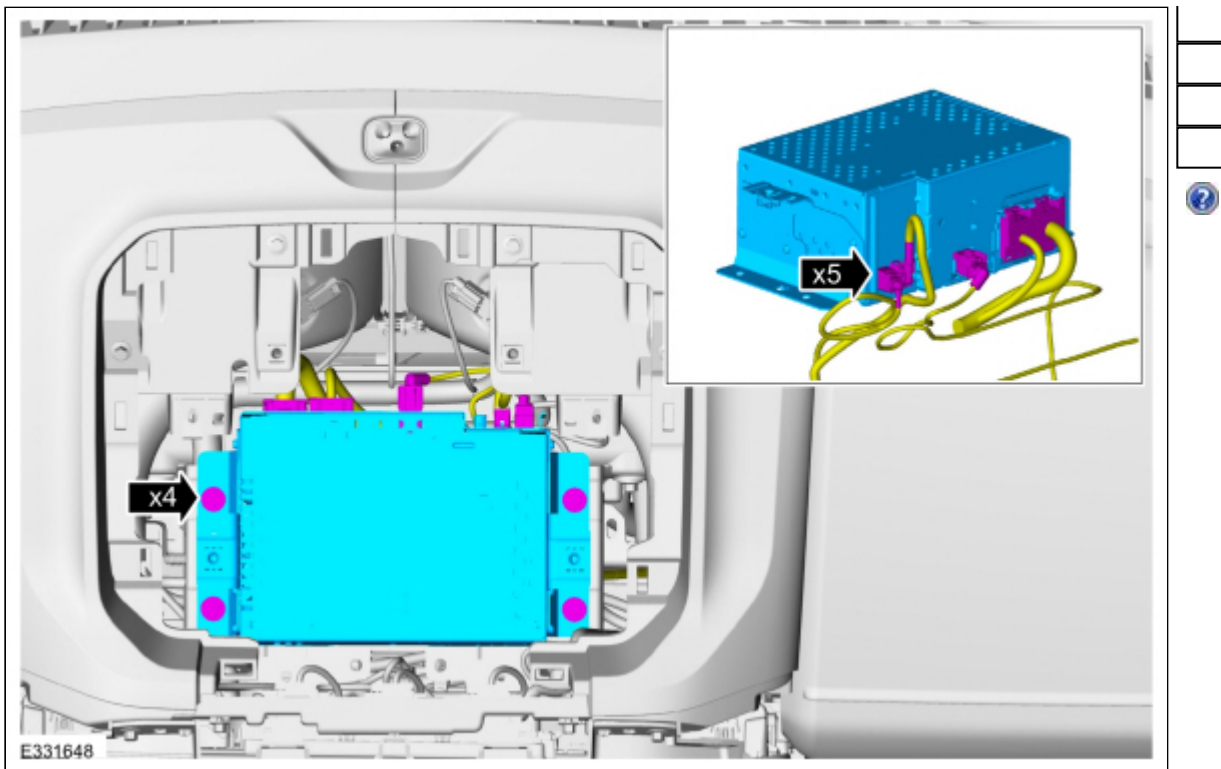
All vehicles

7. Remove the bolts and the bracket.
Torque: 55 lb.in (6.2 Nm)



8. Remove the bolts, disconnect the electrical connectors and remove the ACM .





Installation

1. To install, reverse the removal procedure.
2. **NOTE:** *This step is only necessary if replacing the component.*

Using a diagnostic scan tool, complete the PMI process for the ACM following the on-screen instructions.