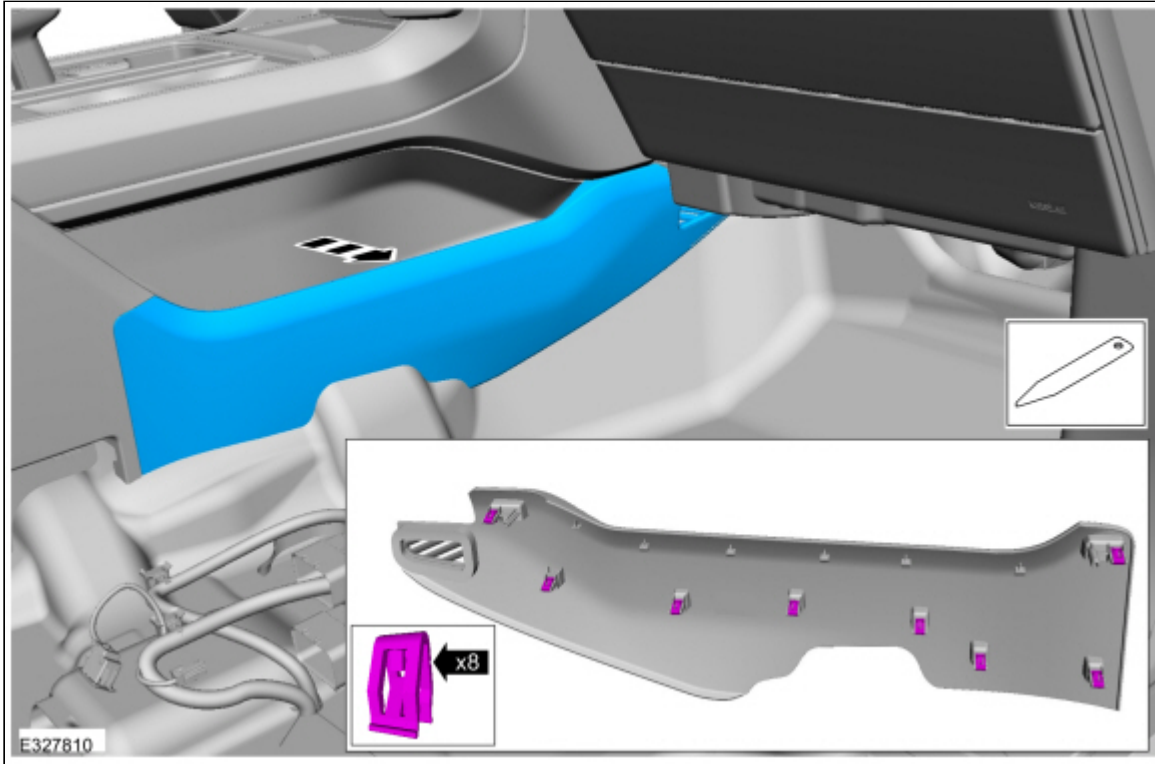


Floor Console

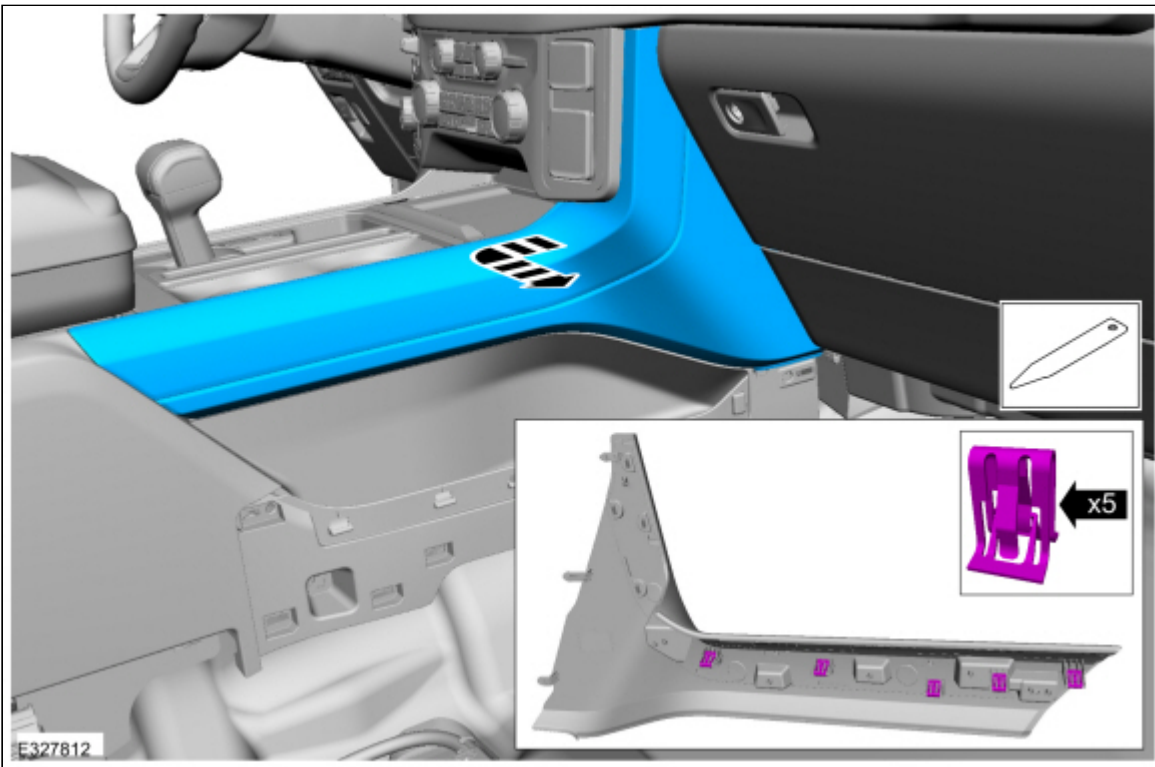
Removal

1. Remove the front seats.
Refer to: [Front Seat](#) (501-10A Front Seats, Removal and Installation).
2. Release the clips and remove the floor console lower RH trim panel.

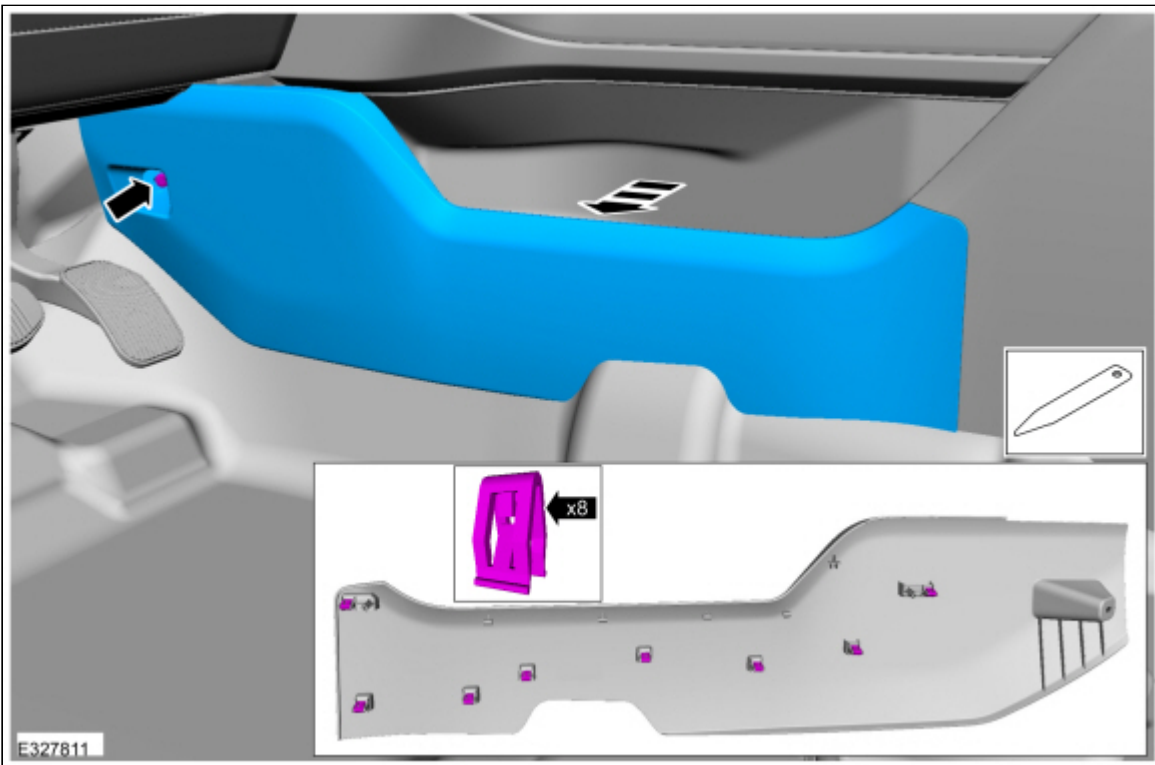


3. Release the clips and remove the floor console upper RH trim panel.

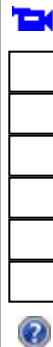


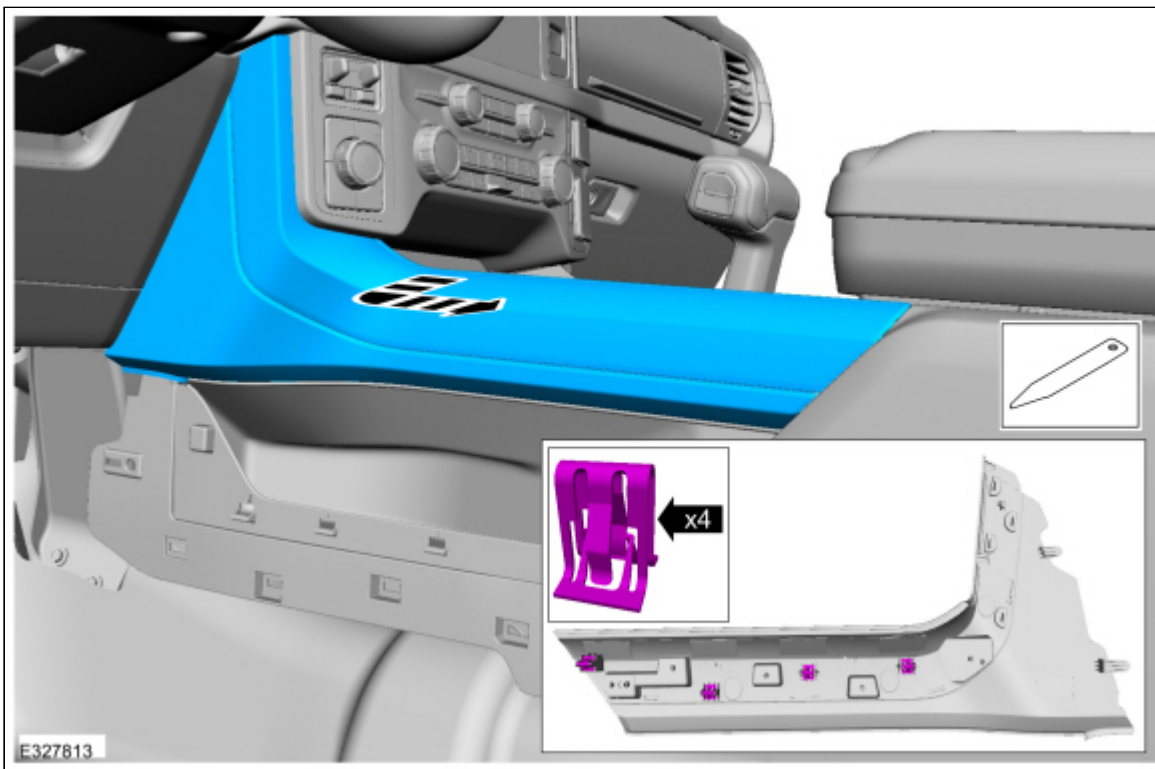


4. Release the clips and remove the floor console lower LH trim panel.

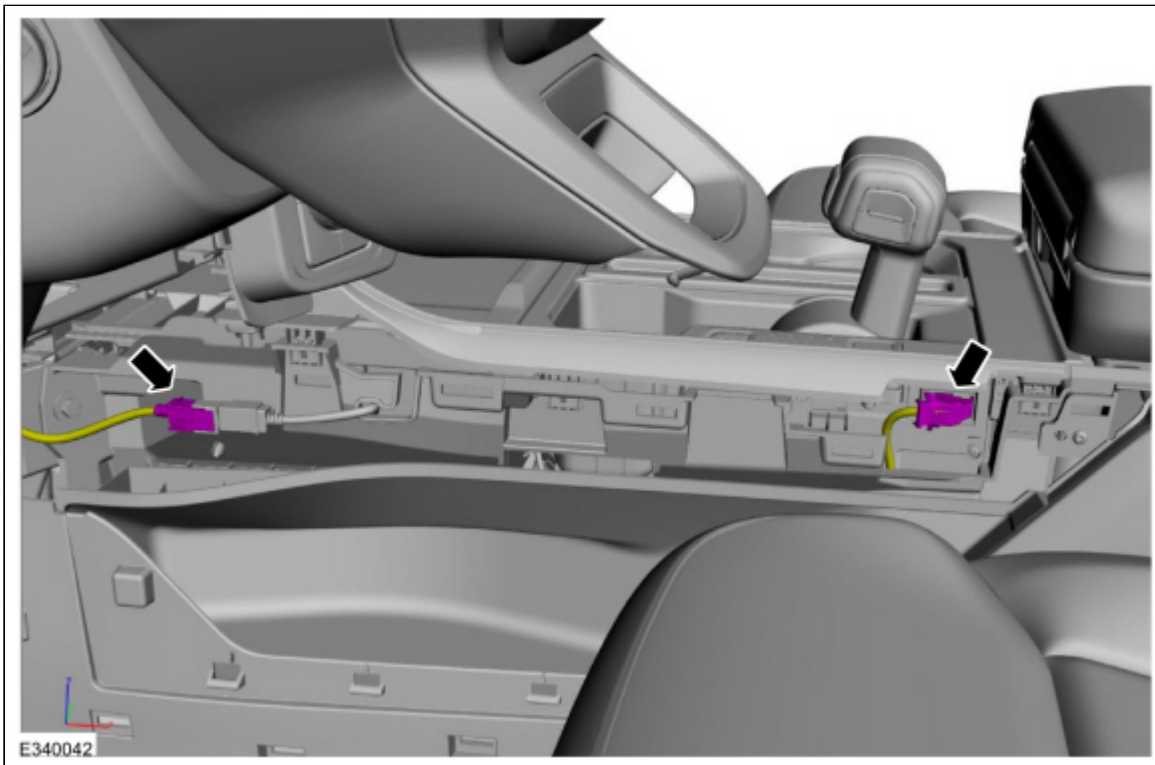


5. Release the clips and remove the floor console upper LH trim panel.

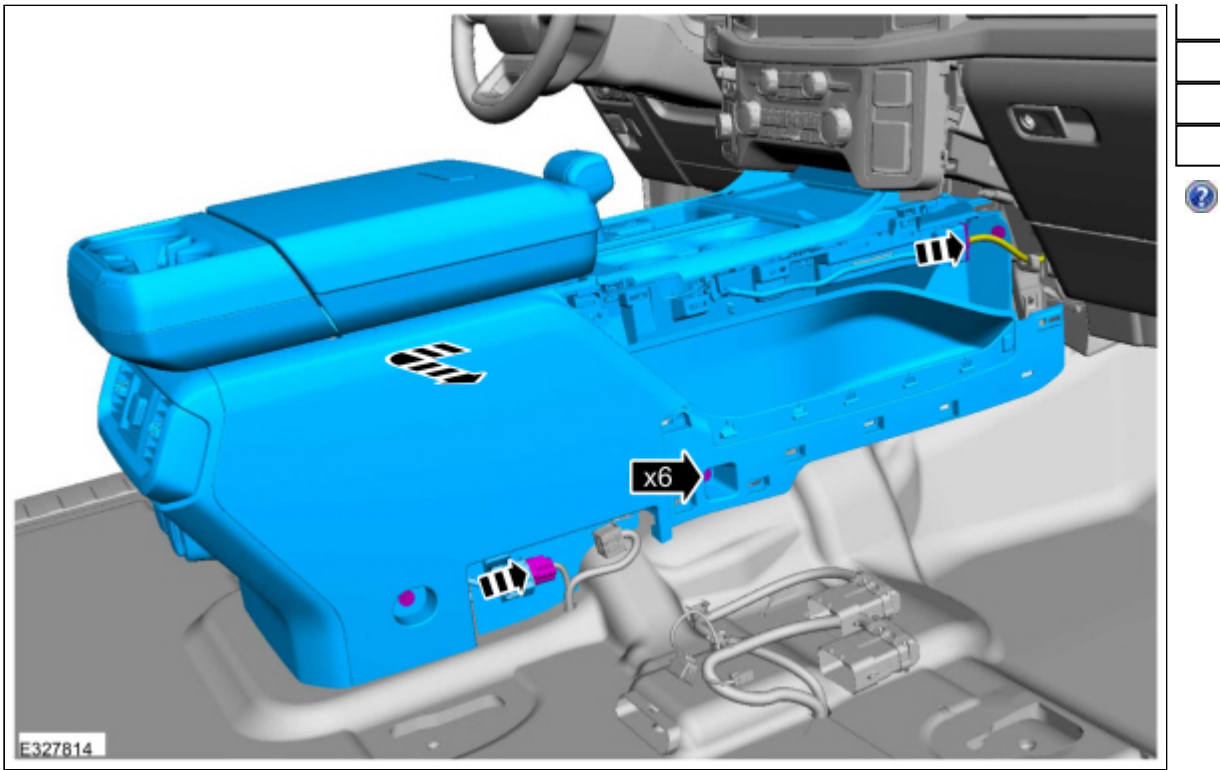




6. Disconnect the electrical connectors.



7. Remove the bolts and the floor console.
• Disconnect the electrical connectors.
Torque: 48 lb.in (5.4 Nm)



Installation

1. To install, reverse the removal procedure.