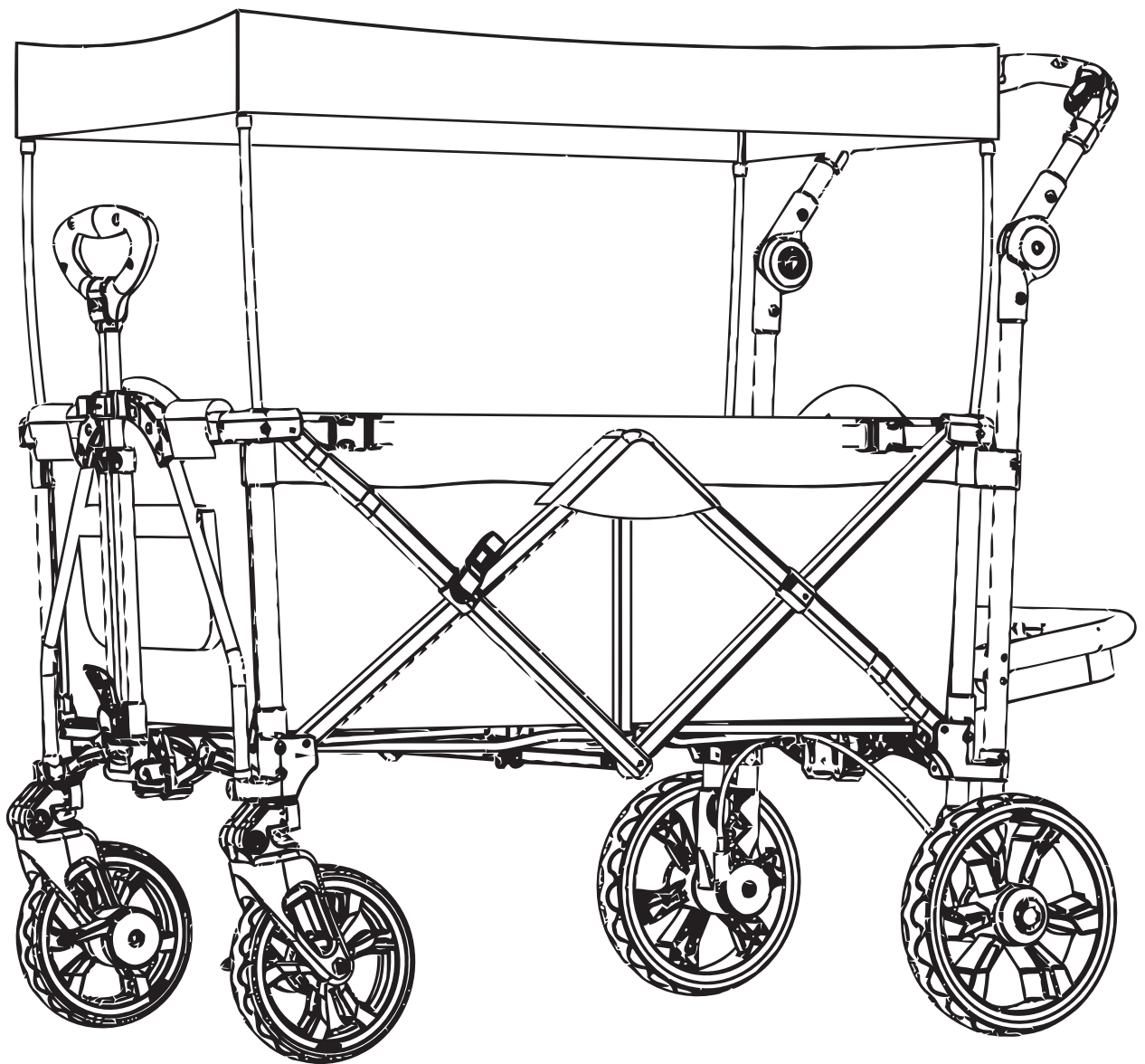


CREATIVE OUTDOOR™



Platinum Pack & Push Folding Stroller Wagon

Parts and Assembly Instructions

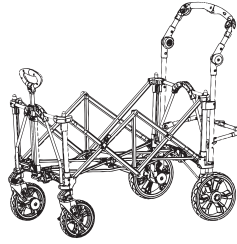


customfoldingwagons.com | 949-381-7367

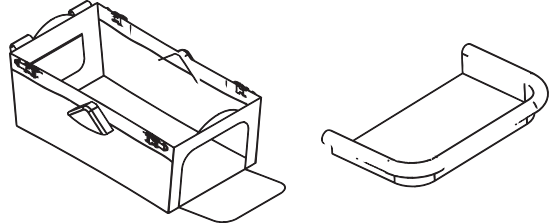
Due to continued product enhancements, product images may differ slightly from actual product purchased.

Parts List

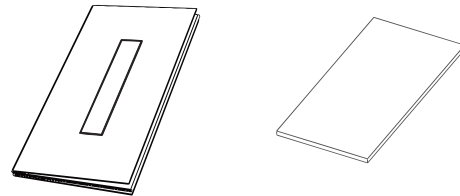
Wagon frame



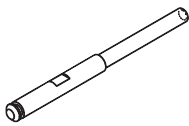
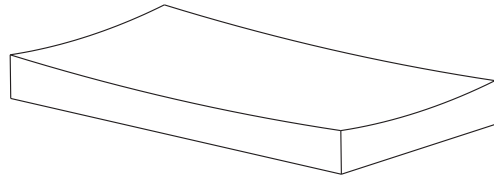
Wagon and rear tray
fabric liners



Wagon floor and rear tray
structural support inserts



Sunshade
Canopy



2



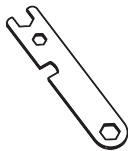
2



1



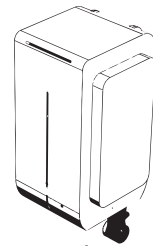
1



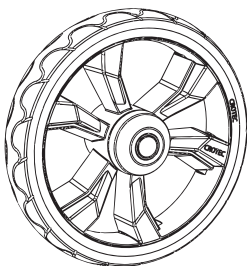
1



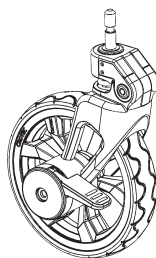
1



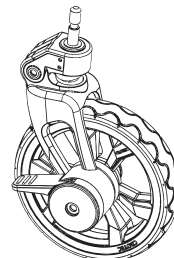
1



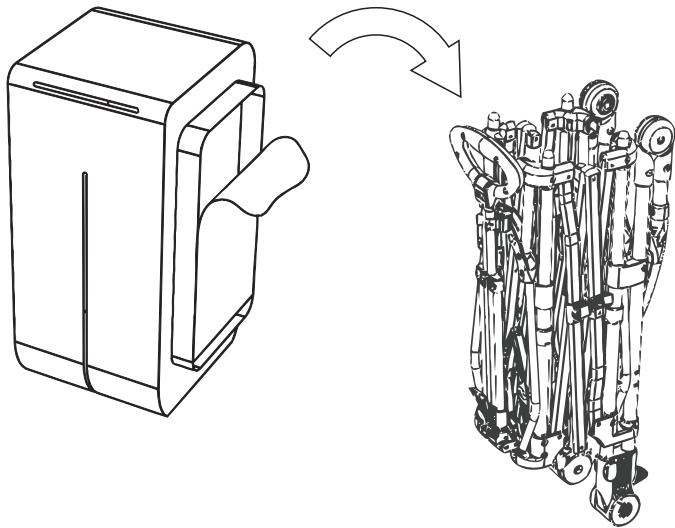
2



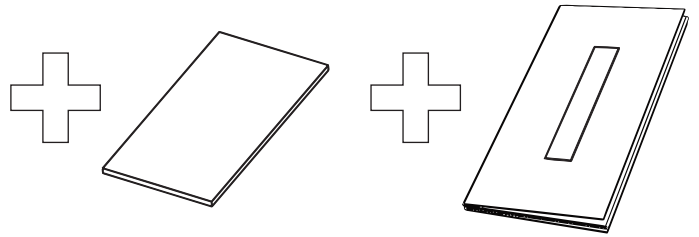
1



1

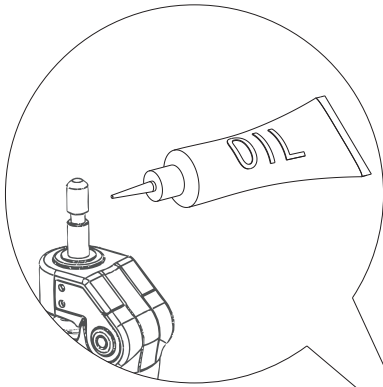
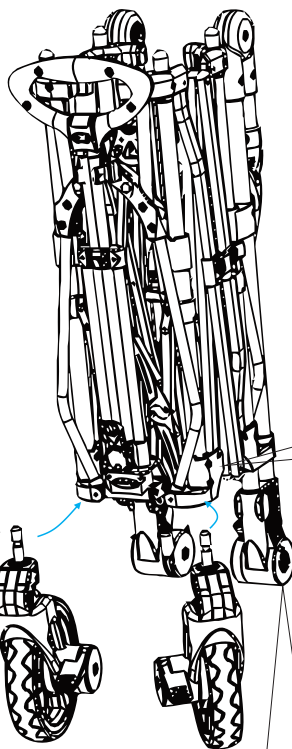


Remove wagon frame and wagon floor and rear tray structural support inserts from carry bag.

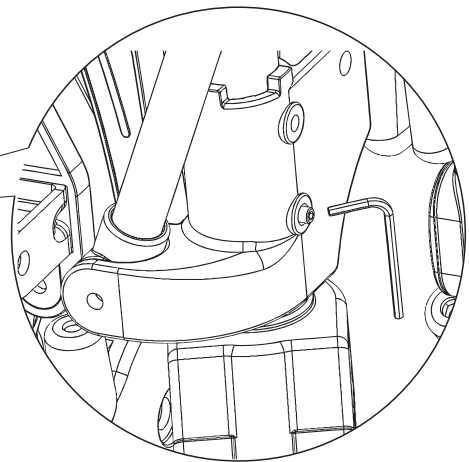


Insert the left and right front wheel posts into the frame. Tighten the set screw with the supplied hex wrench to prevent the wheel from slipping out.

Do not over tighten.
Overtightening will restrict swivel.



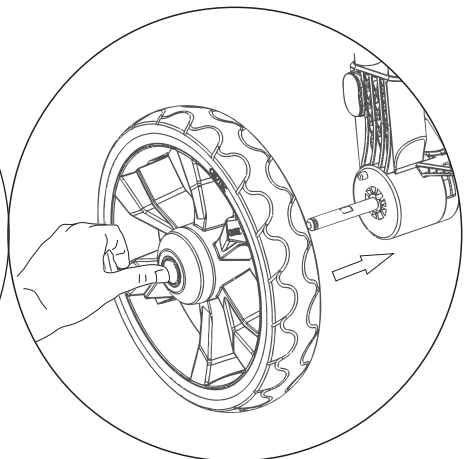
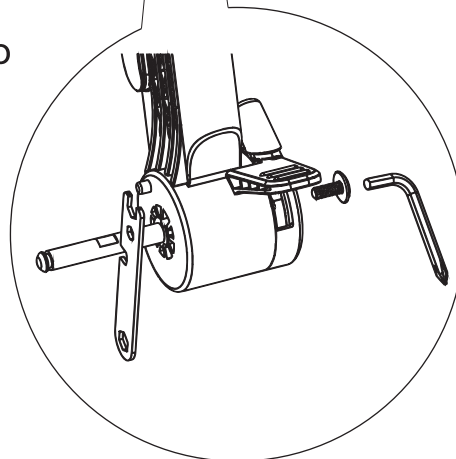
Add a few drops of lubricating oil to front wheel post before inserting.



Install the two rear axles into the rear mounting holes in the frame.

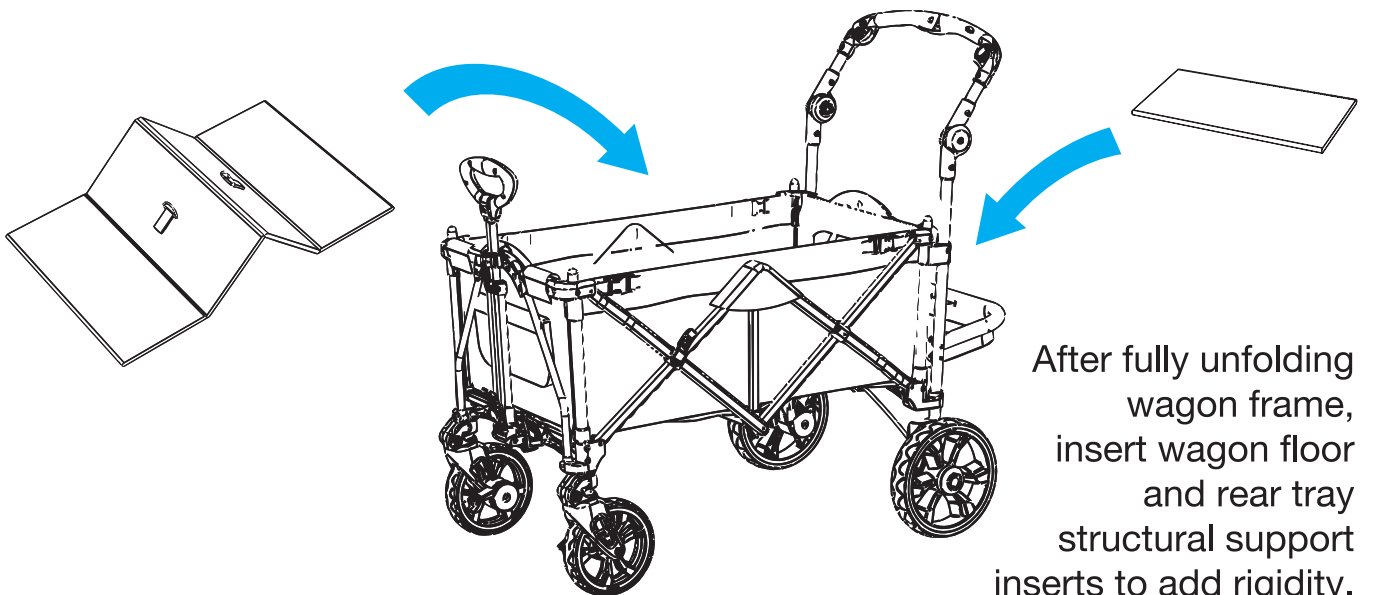
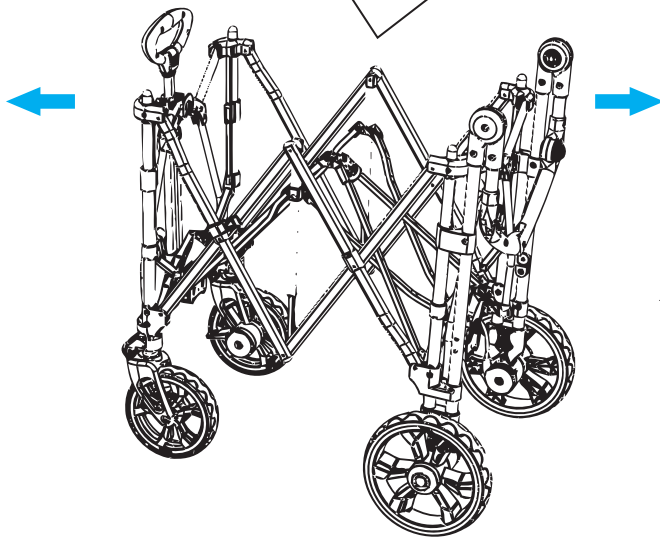
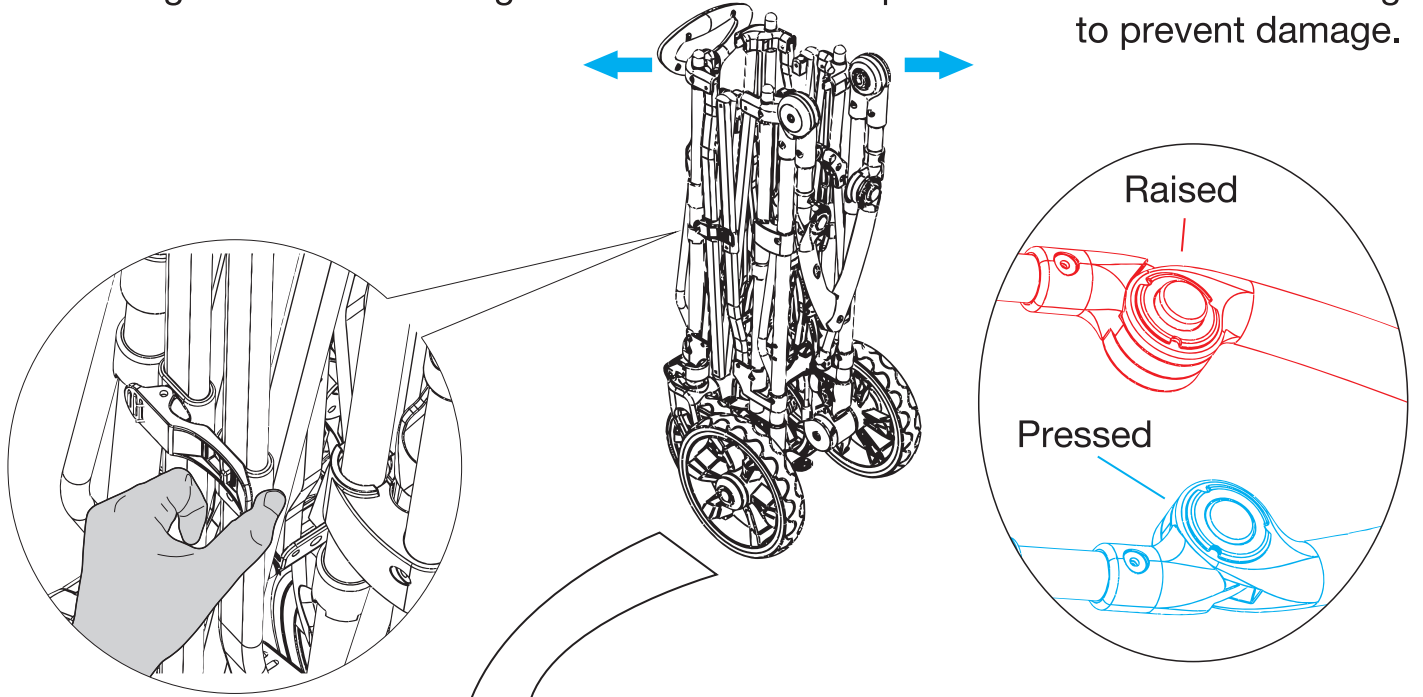
Press and hold the button on the center of each wheel and slip onto the axle.

Release the button to lock.

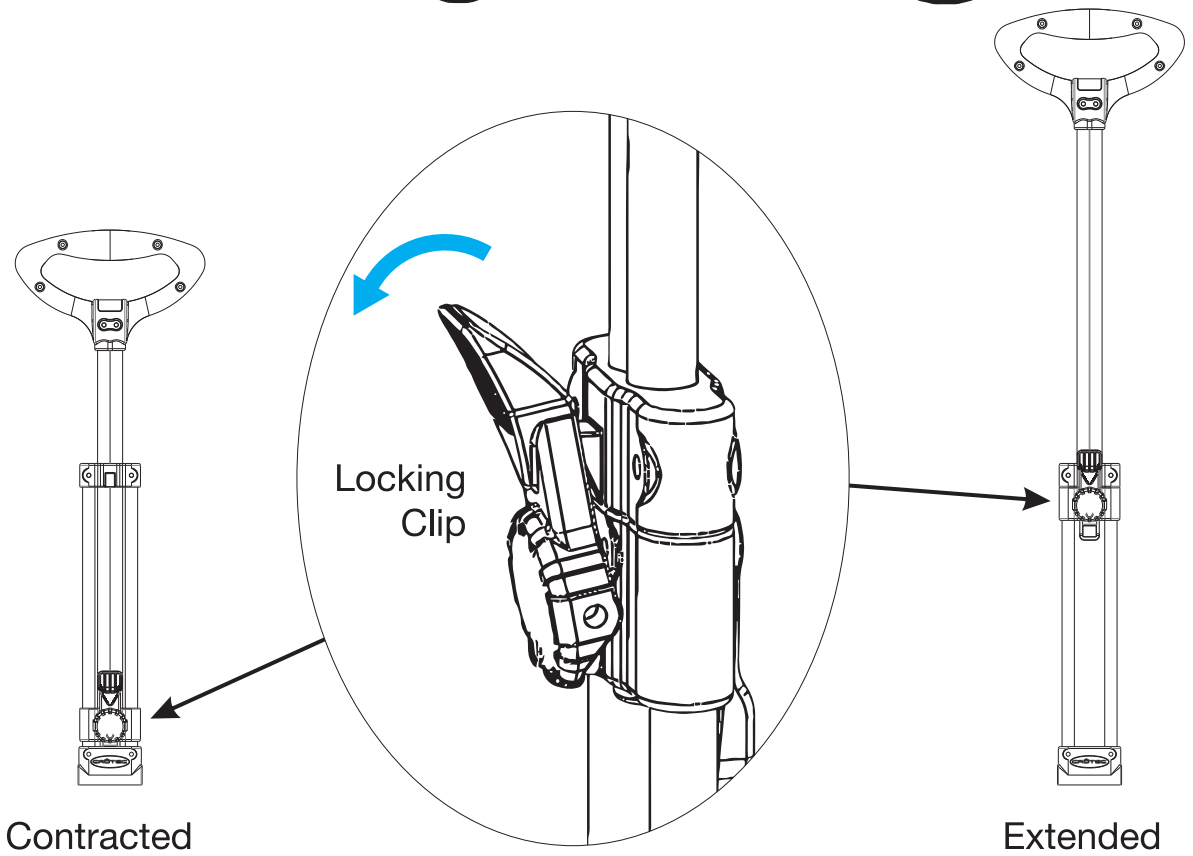
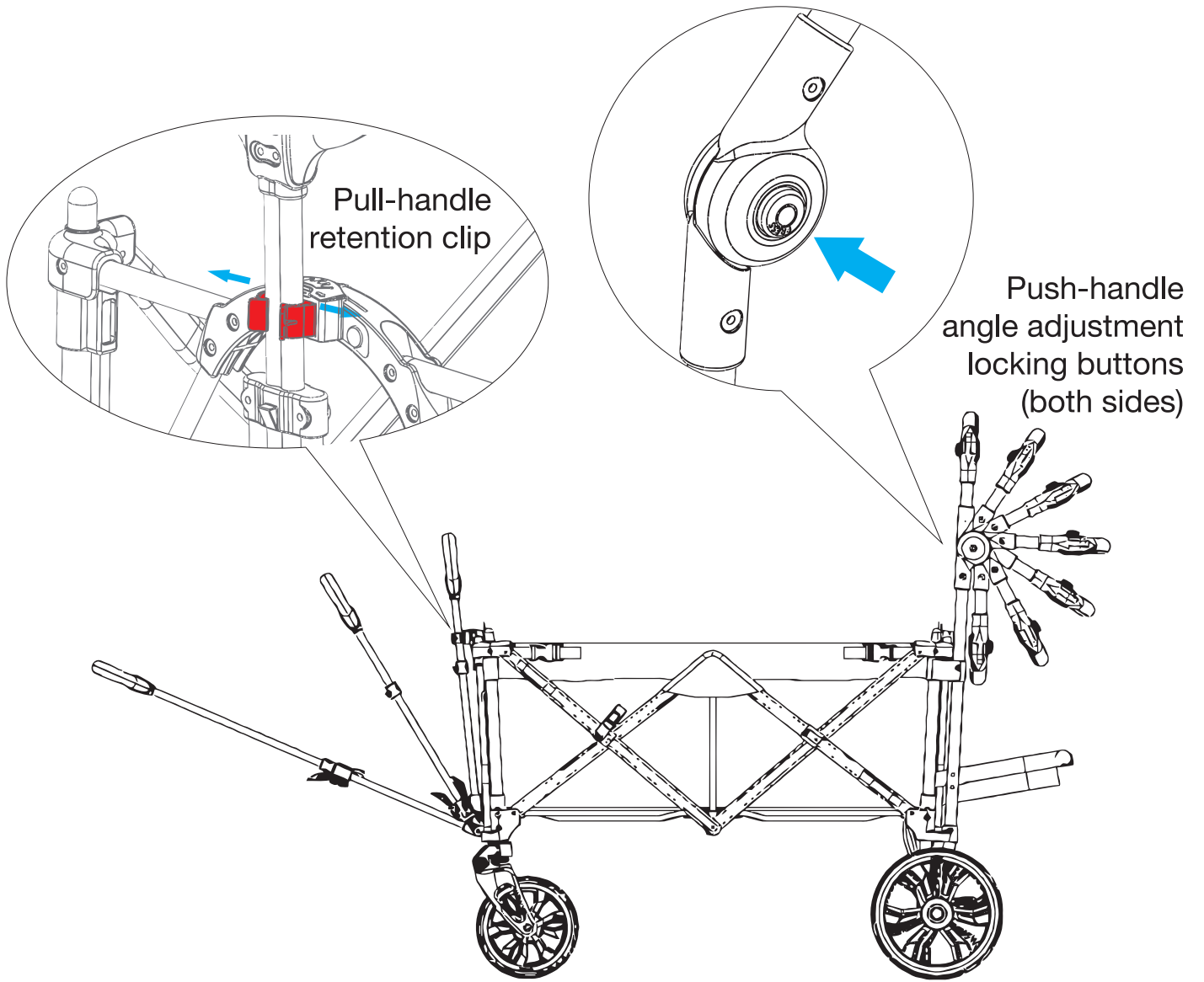


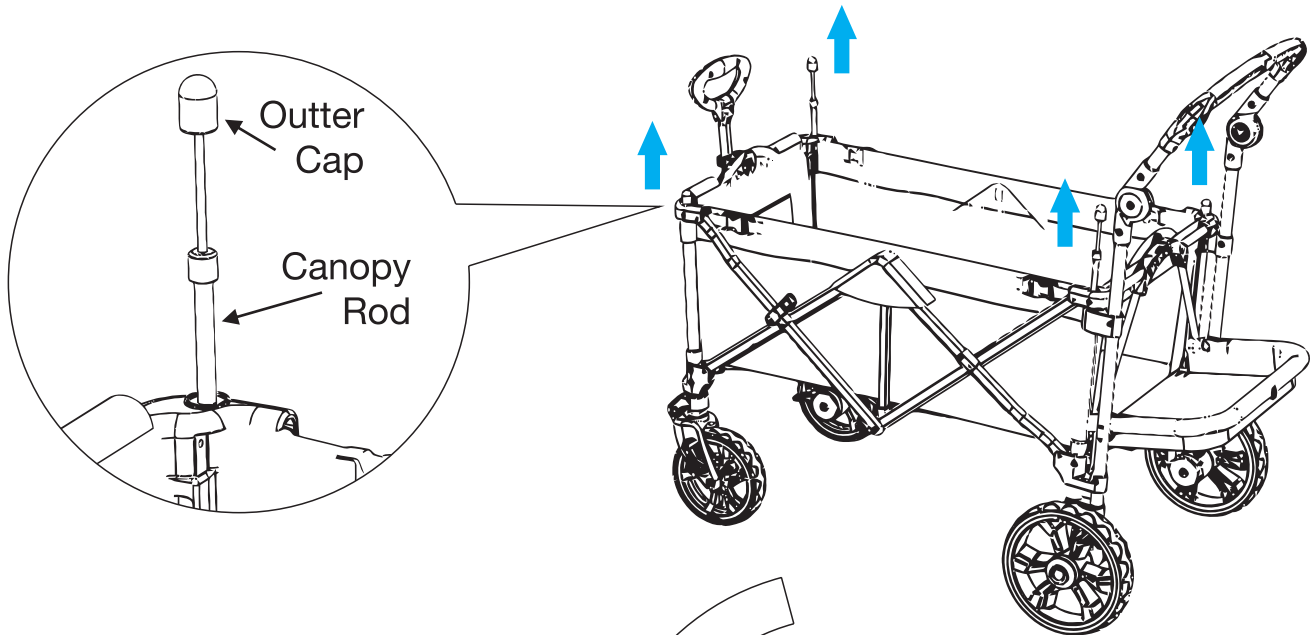
Release the locking latch and begin to unfold the wagon.

Ensure push handle locking button is pressed down before unfolding to prevent damage.

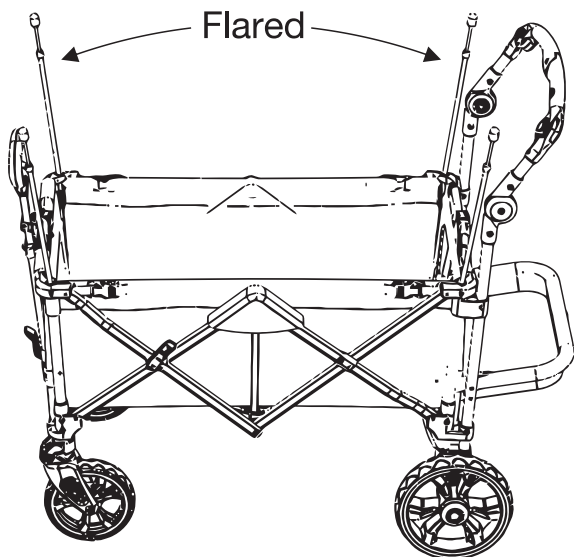


After fully unfolding wagon frame, insert wagon floor and rear tray structural support inserts to add rigidity.



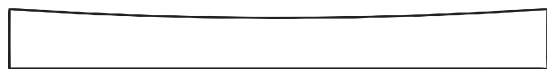


Step 1. Fully extend canopy rods.

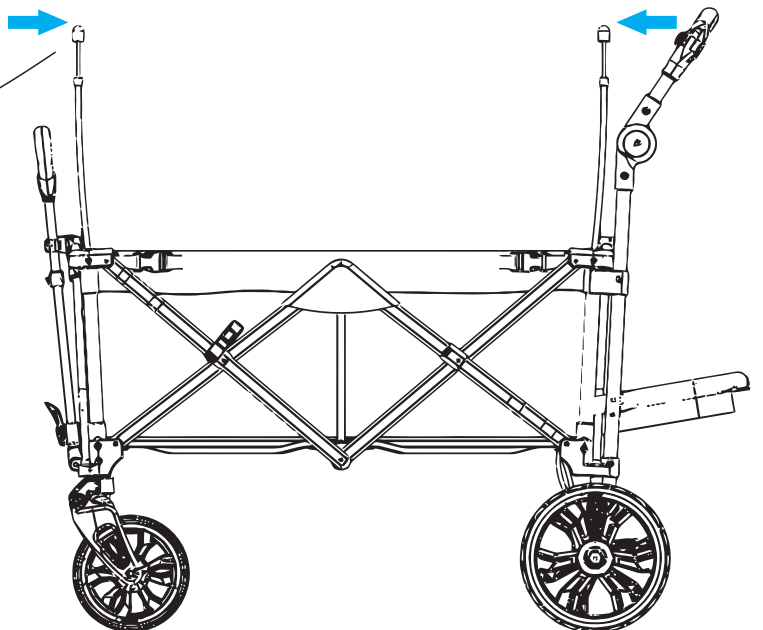
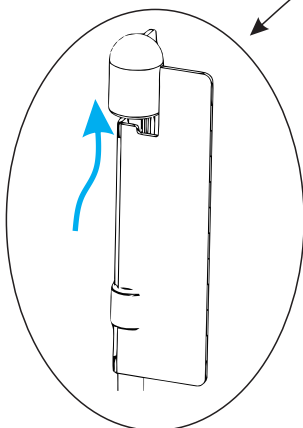


Step 2. Install sunshade canopy. Gently bend canopy rods inward to install.

Sunshade canopy secured by tension of canopy rods.



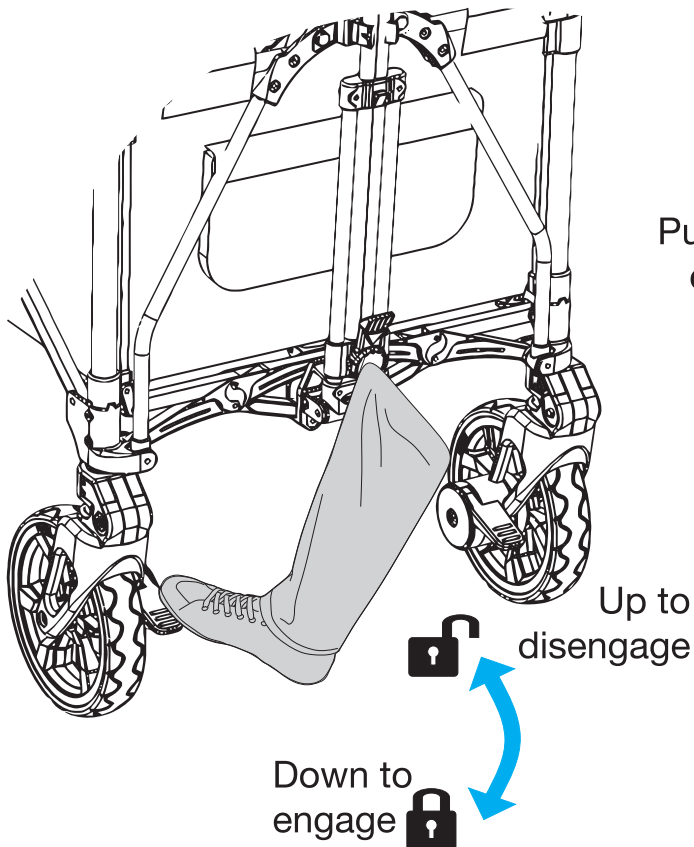
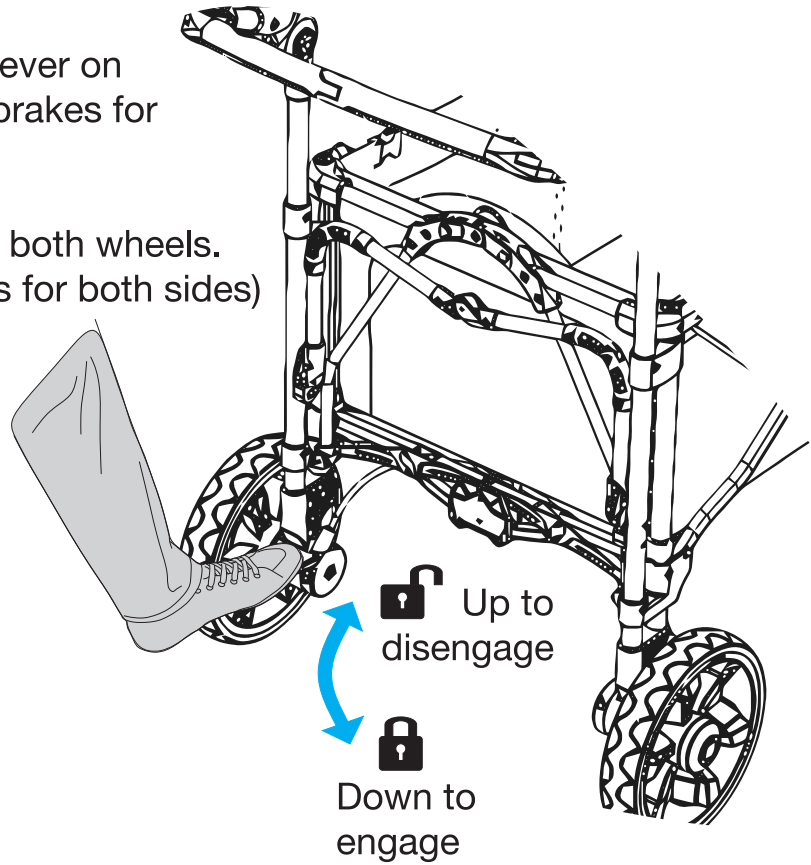
Note. The enlarged tip fits inside the notch to prevent the canopy from slipping off.



Rear Brakes

Push down on rear brake lever on left wheel to activate rear brakes for both left and right wheels.

Lift up to release brake for both wheels.
(One lever activates brakes for both sides)



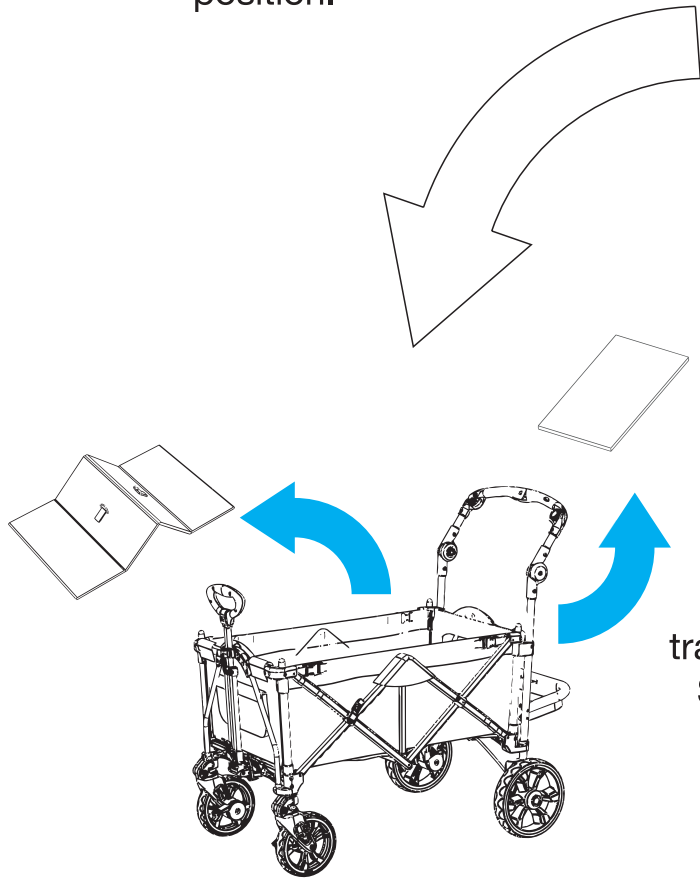
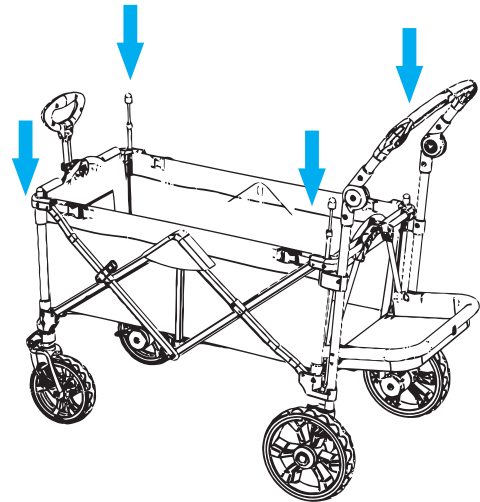
Front Brakes

Push down on front brake levers on both front wheel to activate front brakes.

Lift up each brake to release each wheel.

To remove Sunshade Canopy

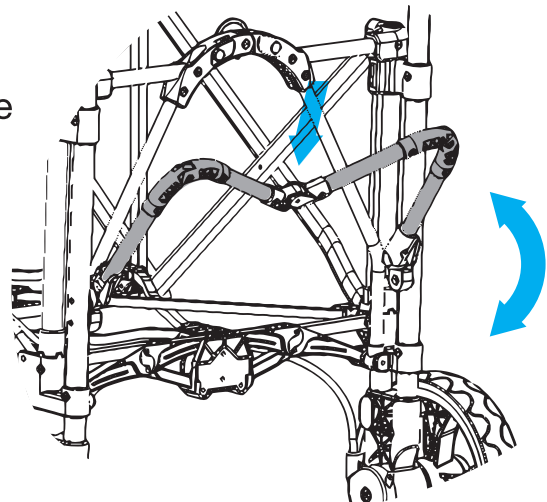
Carefully hold canopy rod and slightly bend inward while removing canopy. Repeat for each corner then lower each canopy rod to full retracted position.



Remove floor and tray structural inserts. Store in side pocket of carry bag.

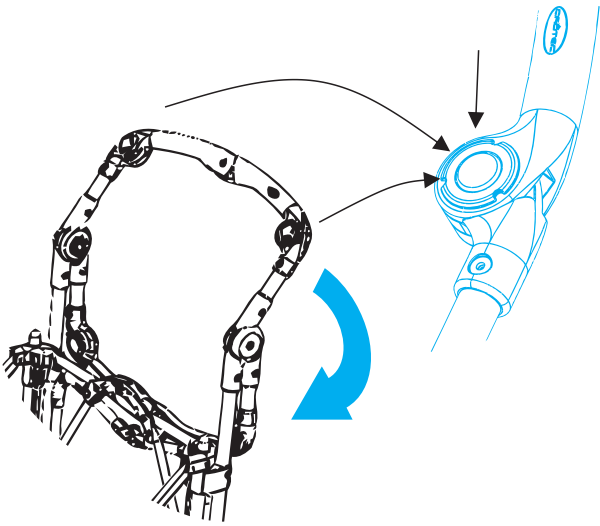
Begin to fold rear extension tray inward so it will not cause resistance when folding wagon frame.

Failing to do this step can cause damage when folding wagon due to resistance.

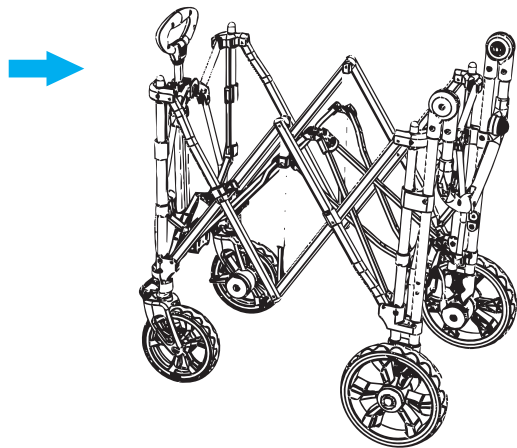
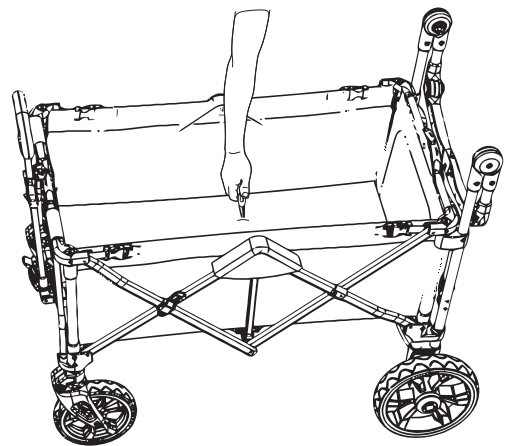


To fold Wagon

Press the buttons on both sides of the push-handle and begin to fold inward.



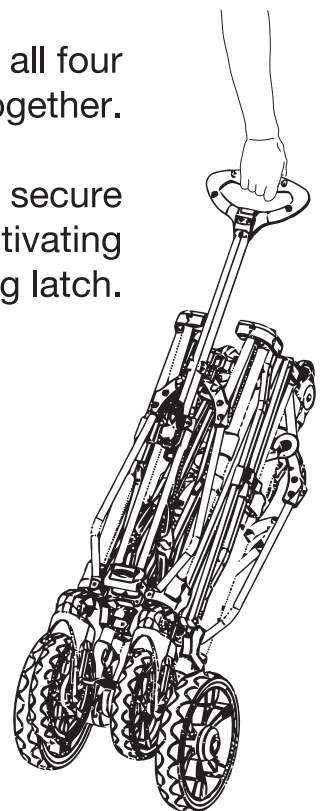
Pull straight up on tab located on the center of the floor of wagon

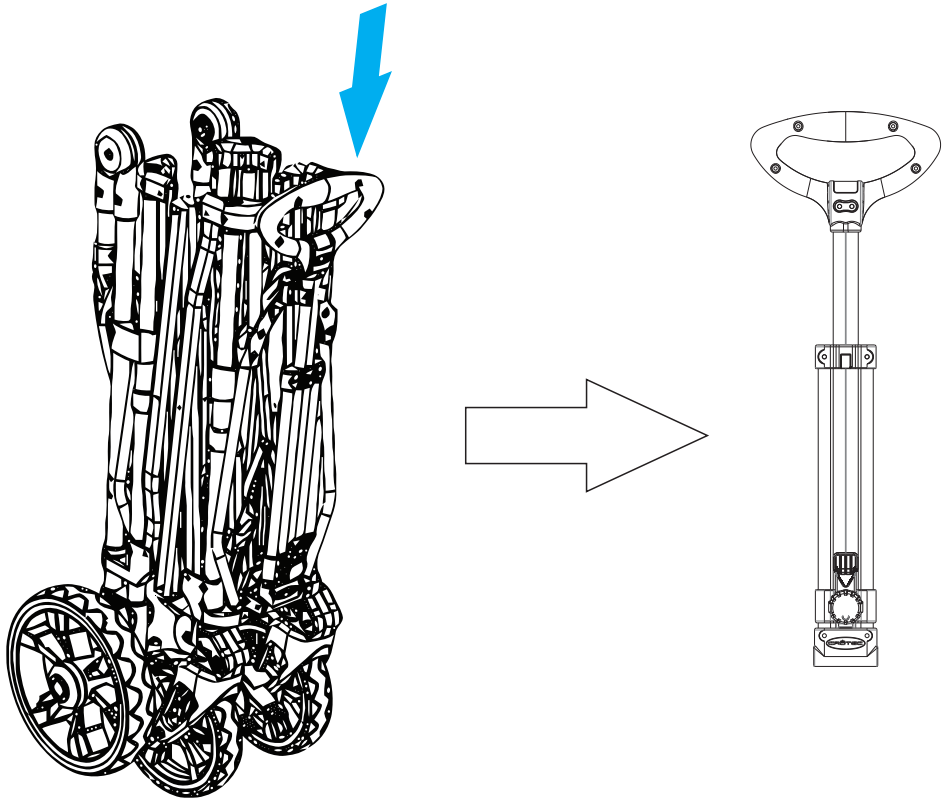


Continue to compress all four corners of the wagon together.

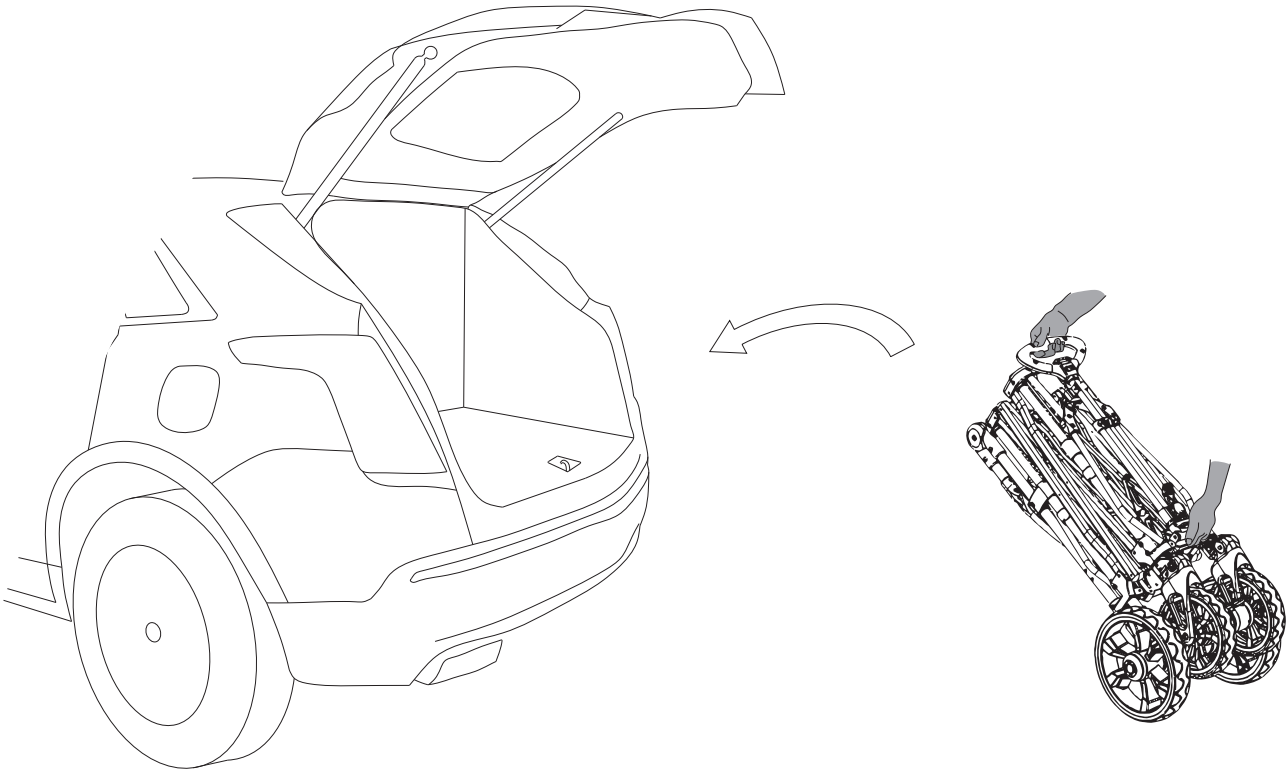
When fully compressed, secure in folded position by activating the locking latch.

Extend pull-handle to easily roll wagon.





Fully contract pull-handle prior to storage or transport



Care & Maintenance

1. Regularly inspect your wagon and its accessories for damage and wear. Check metal components for any dents or cracks. If parts are damaged, do not use this product. Check for bent, broken, missing, or loose fasteners. Tighten any loose fasteners, and replace any broken or missing fasteners.

Check the fabric regularly for tears, scuff marks, or any other signs of damage.

2. Wash this product regularly with warm water containing a mild soap solution. Do not use harsh cleaners or solvents.

3. Clean the wheel axle and apply lubricating oil. Inspect and maintain at least once a year.

4. Store this product in a cool dry place away from direct sunlight.

1. Do not exceed 165lbs load capacity.

2. Do not tow the wagon behind bicycles or motor vehicles.

3. Do not use near hot food to prevent soiling or damage to fabric.

4. Do not exceed 10lbs load capacity of rear extension tray.

5. Do not use on stairs or escalators.

6. Do not leave children in wagon unattended. Always use brakes when not in motion.

7. Do not allow children to fold or unfold without adult supervision to prevent pinching hazards.

8. Do not use car child seats or other third-party seat devices

9. Do not modify structure or function of the wagon. Modification introduces risk of destabilization.

10. Apply wheel brakes before loading or unloading children or cargo or before letting go of handles.

11. Wagon is suitable for children aged: 12-72 months, and children must be able to use it without help.

Seat belts recommended for children under the age of 3.

12. Do not stand or step on rear extension tray to climb into wagon.

13. Warranty service does not cover damage caused by accident, improper use, normal wear and tear or use of 3rd party parts and accessories.

14. Check that the cart is properly assembled before use.

15. Make sure all locking devices are appropriately engaged or disengaged before use.

16. Do not sit on the side walls to prevent risk of tipping.

17. Use child restraint system for safety while in motion.

18. If the supporting synthetic parts are discolored/faded, they should be replaced.

19. Please read this information carefully before use and keep the instructions in a safe place.