

VRS-3000

Referee Stand

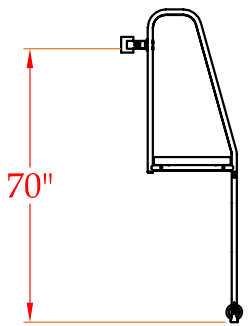
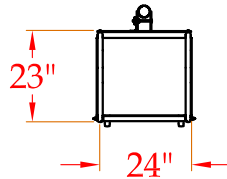
Sturdy two leg design provides exceptional stability and durability with its blue or red powder coated finish. Clamp on $1\frac{5}{16}$ " steel tubing frame mounts to most standards. Platform padding adds extra comfort for referees! Adjustable height and wheels for portability. Specify color when ordering (red or blue).



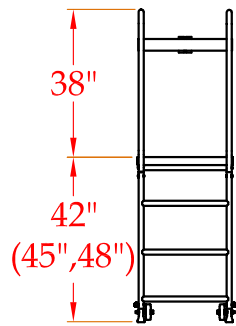
Notes:

1. Stand can be adjusted to three (3) different height settings:

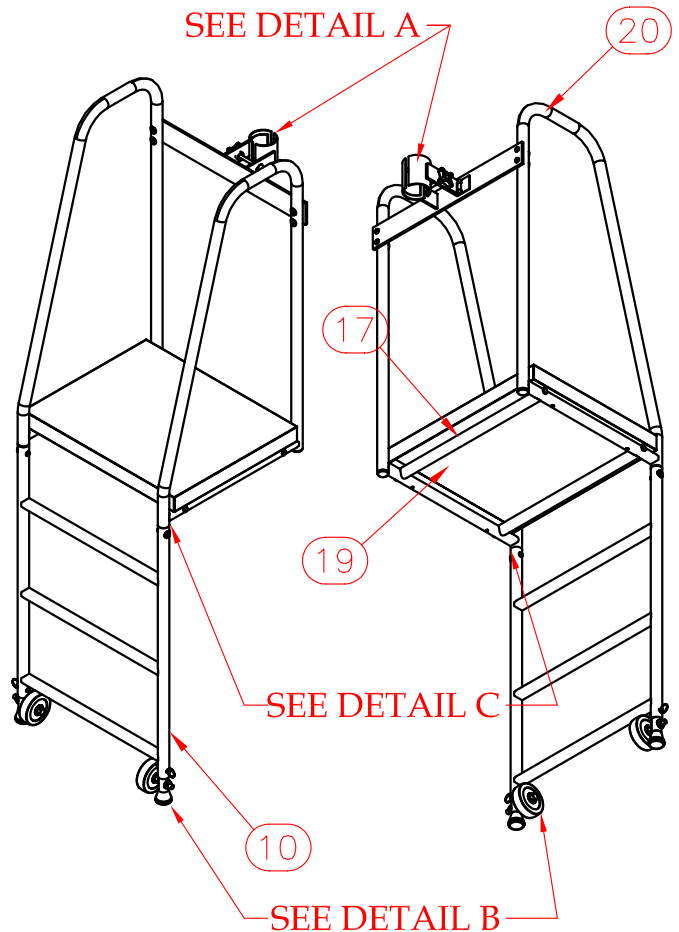
- A. Loosen clamp handle
- B. Pull (2) quick release pins
- C. Slide frame up or down
- D. Reinsert quick pins



SIDE VIEW



FRONT VIEW



REV.	DESCRIPTION	DATE	BY

TWO-LEGGED REFEREE STAND

THIS PRINT IS THE PROPERTY OF JAYPRO SPORTS, LLC. AND MAY NOT BE REPRODUCED WITHOUT WRITTEN PERMISSION



www.jaypro.com
976 HARTFORD TURNPIKE
WATERFORD, CT 06385 USA

DRAWING NAME / PART NO.:
VRS-3000

DRAWN BY: MT CHK'D BY: BS

ISSUE DATE:
10-6-04

SHEET: 1 OF 1 REV. A

COPYRIGHT 2003
JAYPRO SPORTS, LLC.
ALL RIGHTS RESERVED