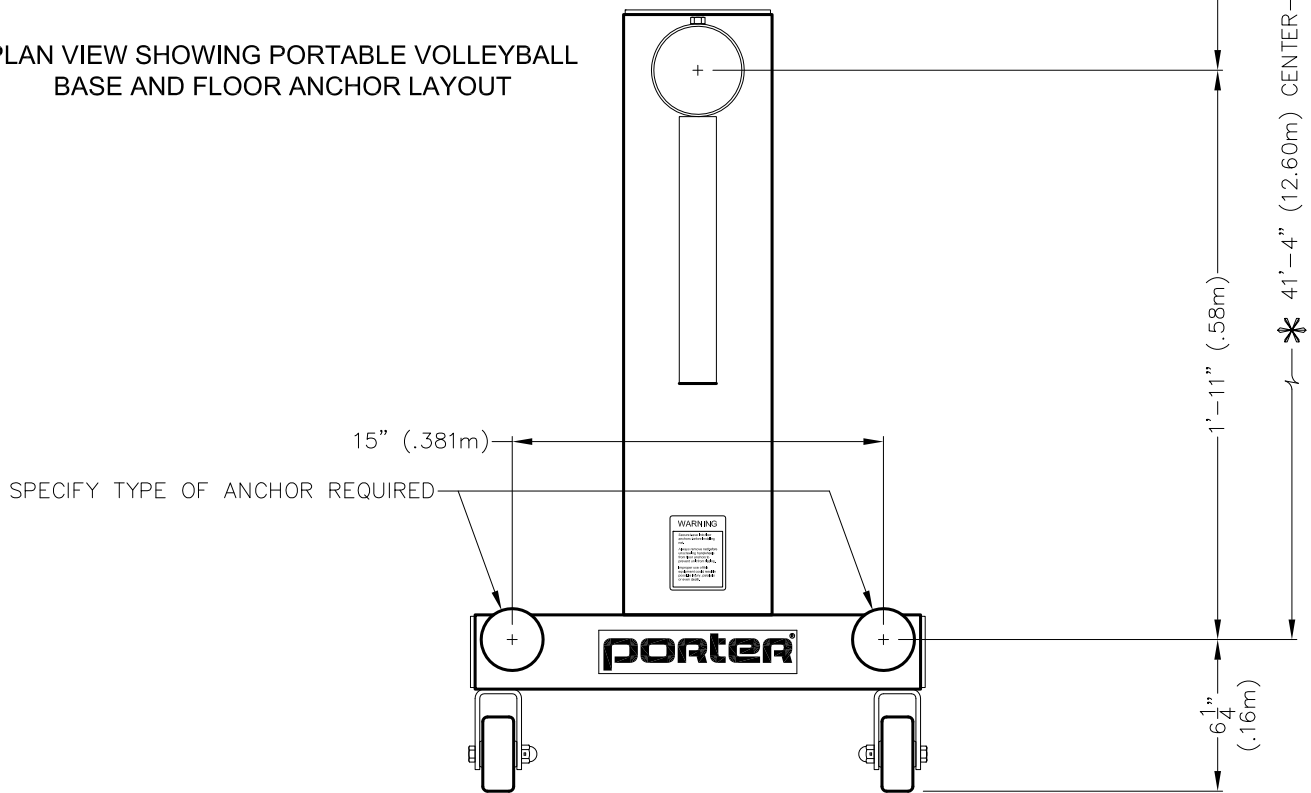




PLAN VIEW SHOWING PORTABLE VOLLEYBALL BASE AND FLOOR ANCHOR LAYOUT



SPECIFY TYPE OF ANCHOR REQUIRED

*HIGH SCHOOLS ALSO ALLOW A 30' x 60' COURT DIMENSION. THE CENTER-TO-CENTER DIMENSION OF THE 3½" UPRIGHTS WHEN INSTALLED ON A 30' x 60' COURT WILL BE 38'. THE CENTER-TO-CENTER DIMENSION OF THE FLOOR ANCHORS WILL BE 41'-4".

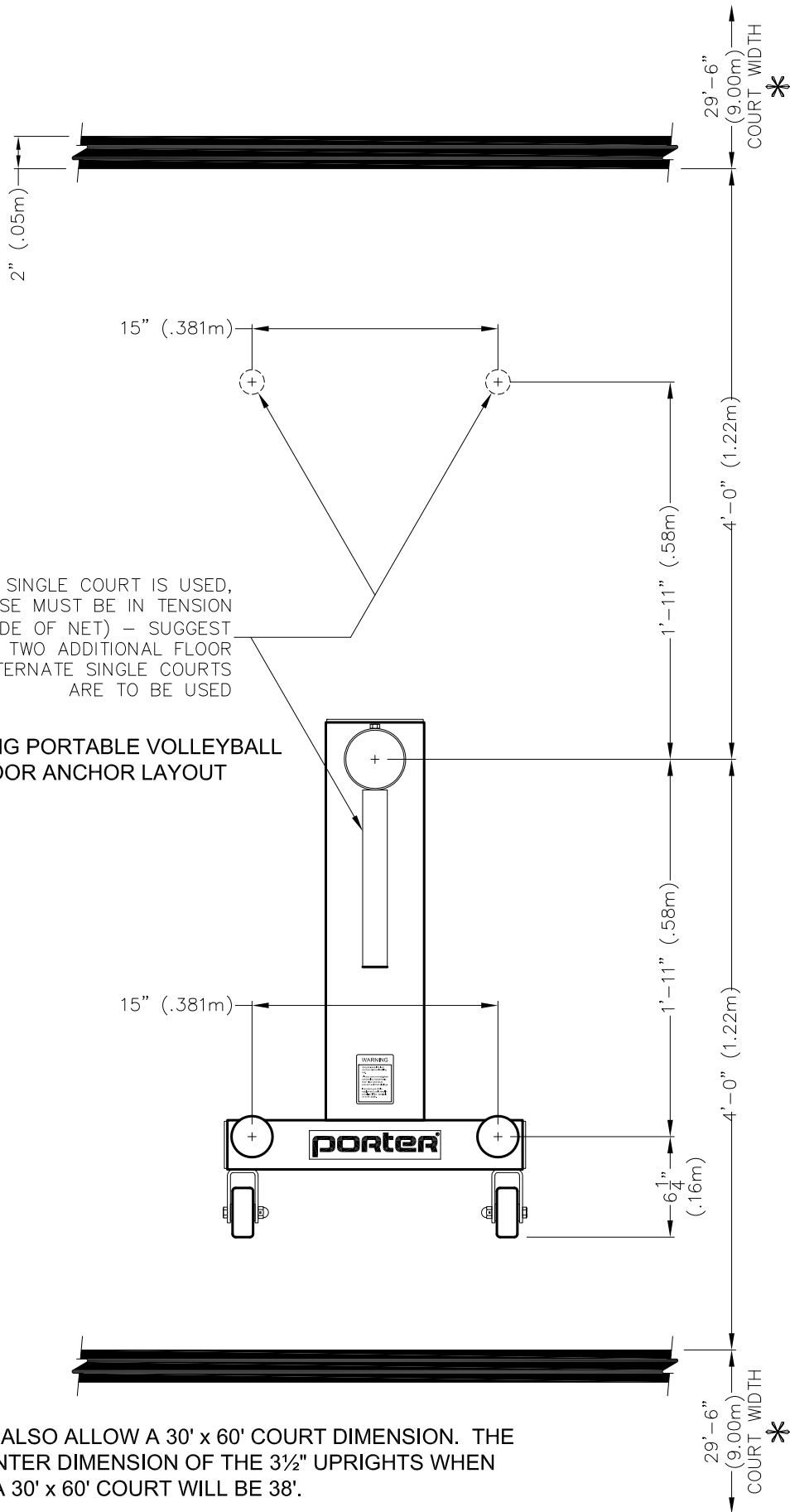
REVISION	DATE	Porter No.
Δ	:	.
Δ		CUSTOMER No.
Δ		DATE
© COPYRIGHT 1999 PORTER ATHLETIC EQUIPMENT CO. ALL RIGHTS RESERVED		7-1-1999

FLOOR ANCHOR LAYOUT PORTABLE VOLLEYBALL SYSTEMS SINGLE COURT

THIS PRINT IS THE PROPERTY OF PORTER ATHLETIC EQUIPMENT COMPANY AND MAY NOT BE REPRODUCED WITHOUT WRITTEN PERMISSION

porter
WORLD LEADER
IN QUALITY SPORTS EQUIPMENT
601 MERCURY DRIVE
CHAMPAIGN, ILLINOIS 61822
www.porterathletic.com

DRAWING BY RJM
CHECKED BY JMakar
PAGE No. V-002 (1 of 2)



NOTE - WHEN SINGLE COURT IS USED, BRACE ON T-BASE MUST BE IN TENSION (ON OPPOSITE SIDE OF NET) - SUGGEST INSTALLATION OF TWO ADDITIONAL FLOOR ANCHORS IF ALTERNATE SINGLE COURTS ARE TO BE USED

PLAN VIEW SHOWING PORTABLE VOLLEYBALL BASE AND FLOOR ANCHOR LAYOUT

*HIGH SCHOOLS ALSO ALLOW A 30' x 60' COURT DIMENSION. THE CENTER-TO-CENTER DIMENSION OF THE 3 1/2" UPRIGHTS WHEN INSTALLED ON A 30' x 60' COURT WILL BE 38'.

REVISION	DATE	porter No.
△	:	
△		CUSTOMER No.
△		
© COPYRIGHT 1999 PORTER ATHLETIC EQUIPMENT CO. ALL RIGHTS RESERVED	DATE	
	7-1-1999	

FLOOR ANCHOR LAYOUT PORTABLE VOLLEYBALL SYSTEMS MULTIPLE COURTS

THIS PRINT IS THE PROPERTY OF PORTER ATHLETIC EQUIPMENT COMPANY AND MAY NOT BE REPRODUCED WITHOUT WRITTEN PERMISSION

porter
WORLD LEADER
IN QUALITY SPORTS EQUIPMENT
601 MERCURY DRIVE
CHAMPAIGN, ILLINOIS 61822
www.porterathletic.com

DRAWING BY RJM
CHECKED BY JMakar
PAGE No. V-002 (2 of 2)