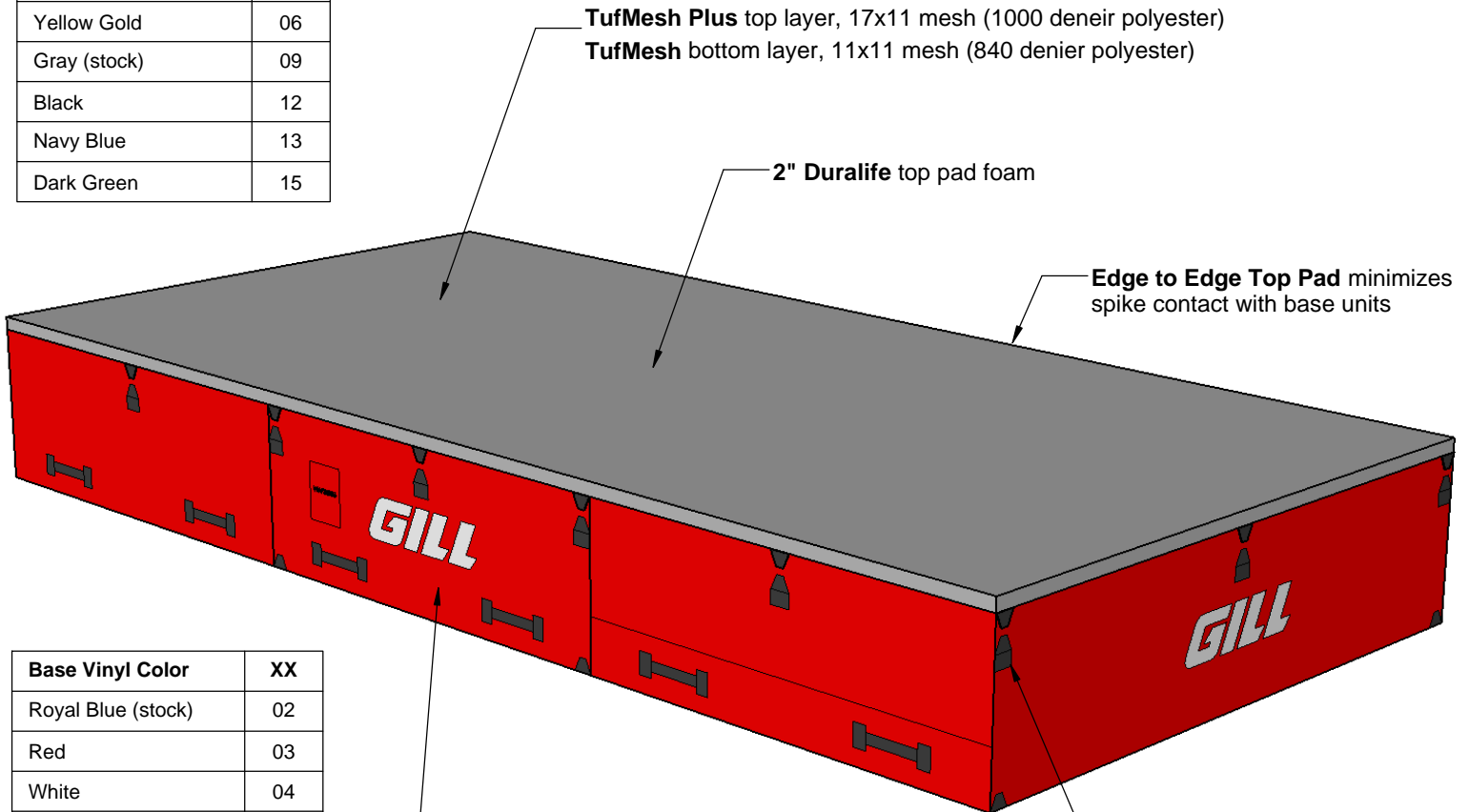
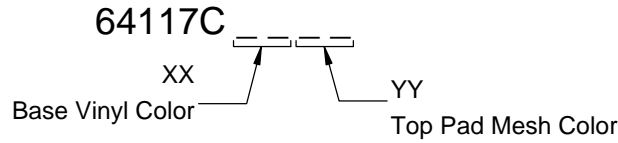




www.gillathletics.com
800-637-3090

64117 - S1 HIGH JUMP PIT SPECIFICATION

Top Pad Mesh Color	YY
Royal Blue	02
Red	03
White	04
Orange	05
Yellow Gold	06
Gray (stock)	09
Black	12
Navy Blue	13
Dark Green	15

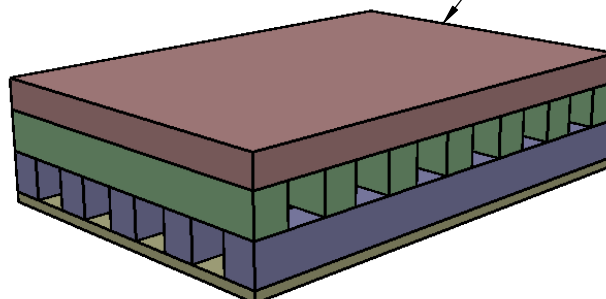


Base Vinyl Color	XX
Royal Blue (stock)	02
Red	03
White	04
Orange	05
Yellow Gold	06
Gray	09
Maroon	10
Purple	11
Black	12
Navy Blue	13
Dark Green	15

All Vinyl Base design protects the base foam against the water and UV damage.
Dual Coated Vinyl casings consist of 23 x 23 base fabric (1000 denier polyester) evenly knife-coated with 18oz PVC Vinyl.

Side V-Loops spread out the stress and keep carabiners out of the landing area.

Quadruple Duralife Layer Foam consists of soft top layer, two layers of firm logs, and a firm baselayer.



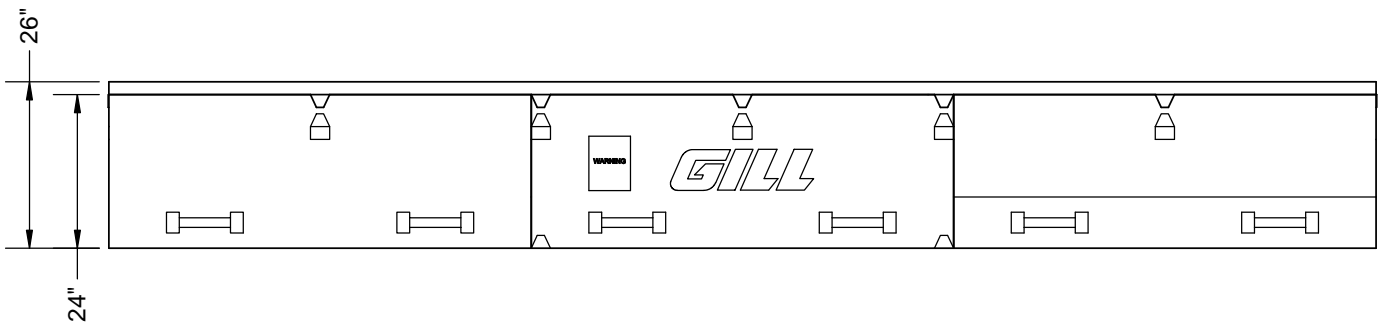
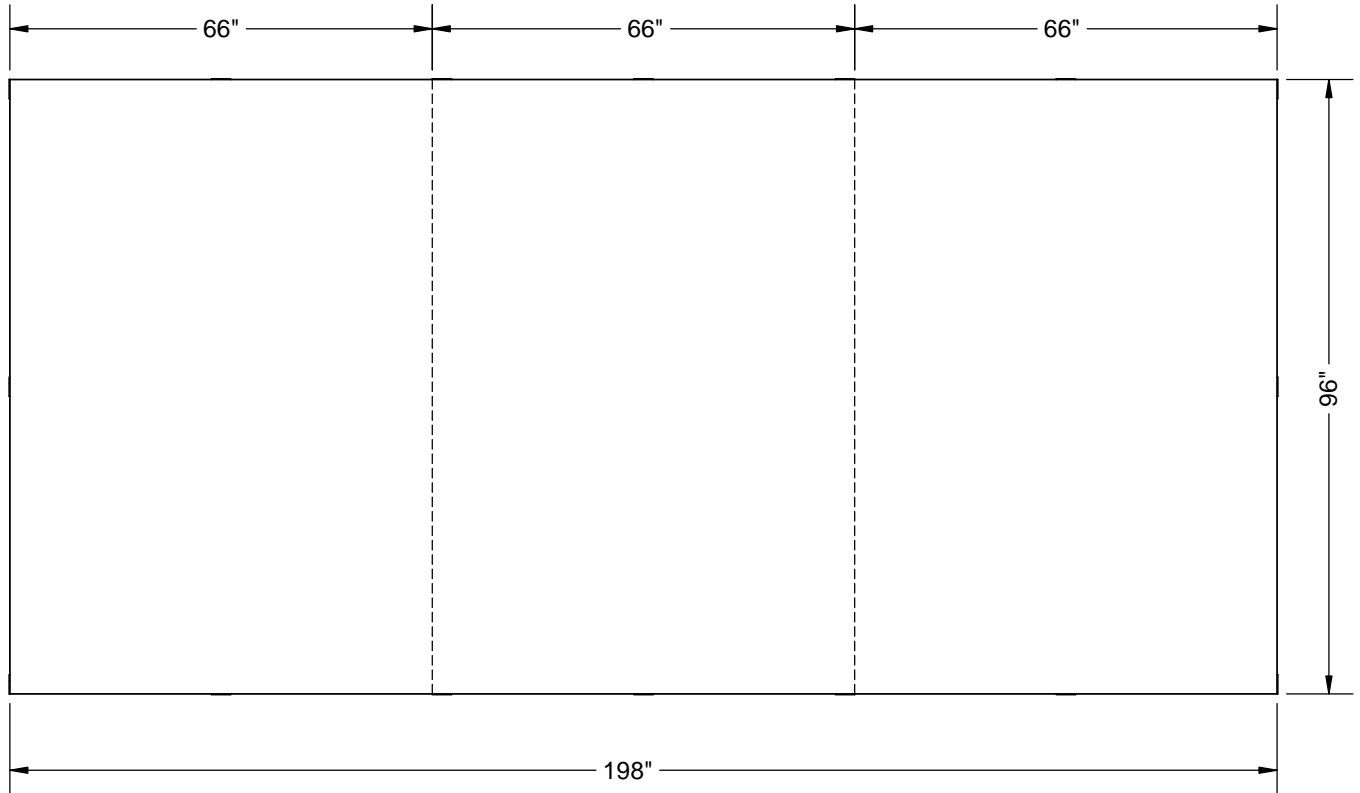
Meets the following rules:

- NFHS
- NCAA



www.gillathletics.com
800-637-3090

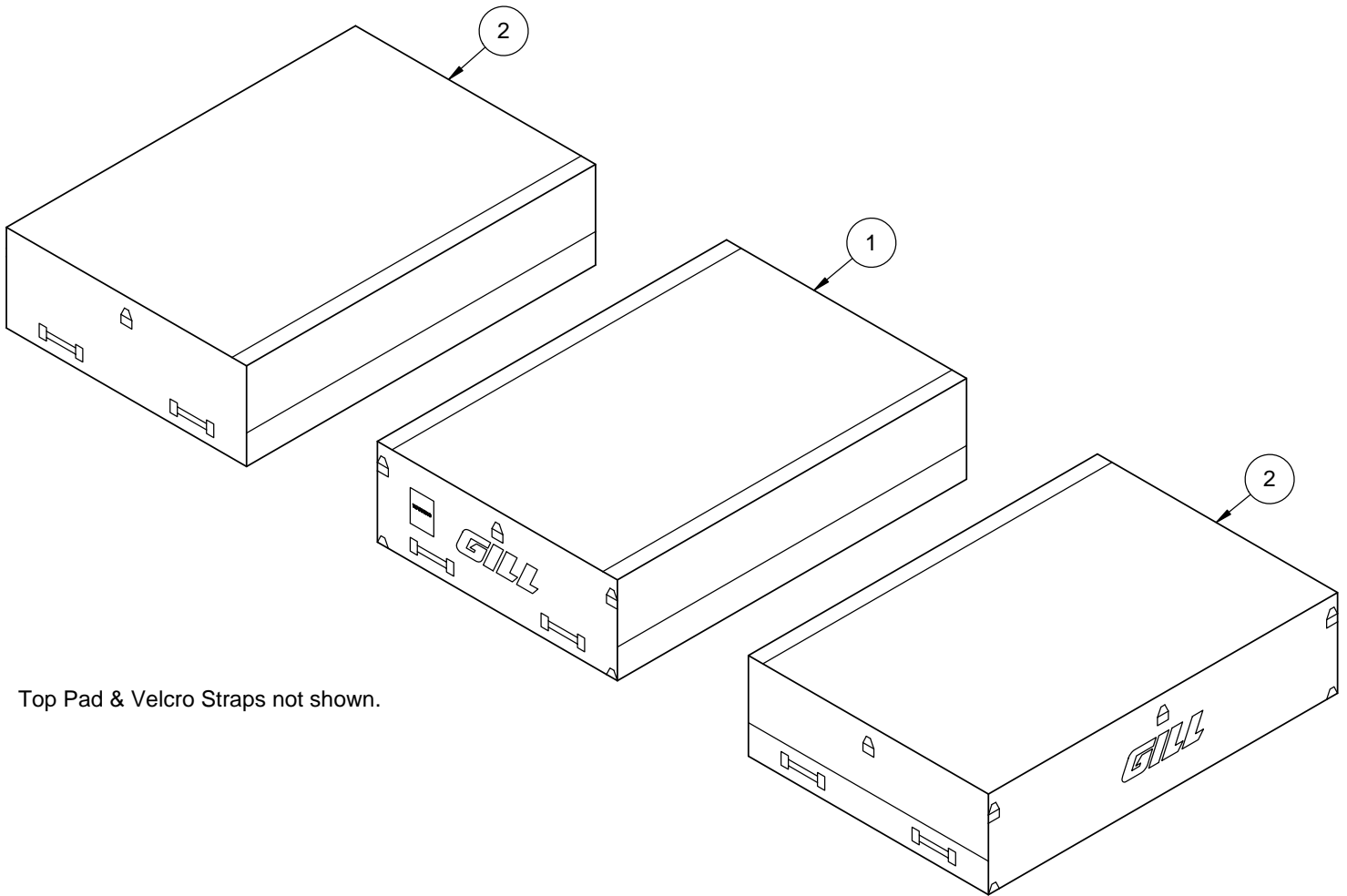
64117 - S1 HIGH JUMP PIT SPECIFICATION





www.gillathletics.com
800-637-3090

64117 - S1 HIGH JUMP PIT SPECIFICATION



Top Pad & Velcro Straps not shown.

	DESCRIPTION	SIZE	CASING	FOAM	QTY
1	Middle Base Section	96" x 66" x 24"	PITS64117MBCXX	FOAM64117B	1
2	Outside Base Section	96" x 66" x 24"	PITS64117OBCXX	FOAM64117B	2
3	Top Pad	198" x 96" x 2"	PITS64117TPCXX	FOAM64117TP	1
4	Velcro Strap, 64117	95" x 9"	PITS64117VSCXX		2
5	Aluminum Karabiner		N1003		21

Weather Cover sold separately: 6411702CXX

Top Pad Features

Edge-To-Edge Top Pad: Aesthetic and functional design eliminates spike contact with base units and unevenness at the edge of the pit. This Gill exclusive feature will increase the life of your new pit and improve safety near the edges.

Tufmesh Plus Casing: Using exclusive 17 x 11 1000 denier material increases the life of your top pad and stands up to repeated use better than any on the market.

2" Duralife Foam: Soft and durable foam creates confidence in every practice. Coaches can teach with assurance because of this industry leading design.

V-Loop Vinyl Strap: Designed to evenly distribute the force from the athlete's landing, V-Loop straps eliminate tears compared to traditionally designed pits that put undue stress on the seams.

Reversible: Extend the life of your pit; Gill's top pads are designed to use either side safely and easily.

Side Carbineer Connection: Top Pad is connected to base pads with carbineer side attachments, eliminating any obstruction on top of the pit. This detail provides an obstruction-free landing area with athletes' safety in mind.

Vinyl Base Units

All Vinyl Base: Exclusive to Gill landing systems, this unique design keeps water out of your pit better than old-school mesh top units. Protecting the foam from water extends the life of your landing system.

Complete Interchangeability: New design provides reversible sections for maximum interchangeability. This adds years to the life of your pit by maximizing the usage and size of the athlete's landing area.

Quadruple Duralife Layer Foam: Athletes need to know they are landing safely and comfortably. Gill's new quadruple Duralife foam is 25% softer than others yet with firmness necessary for the safest landings.

Dual Coated Vinyl: Evenly distributed 1000 x 1000 denier polyester fabric is bonded on both sides with 18oz knife-coated PVC Vinyl. The exclusive fabric design eliminates vinyl delamination seen in other pits after years of use. This creates the most durable casing on the market that is lighter than the other pits.

Stitching: Gill's entire landing system is stitched with the industry's strongest 210 bonded polyester thread. Simply put, your new Gill pit comes triple stitched with the toughest thread in the industry to hold up to high volume practices.

Grip Strip Fastening System: A pit is safest when constructed as an integrated system. Gill's Grip Strip Fastening System will keep your base sections functioning as one unit season after season.

Eco-Smart Compress Packs: Gill Athletics cares about the environment and your budget. All landing systems are expertly packed and shipped utilizing Compress-Pack shipping, reducing freight volume, lowering fuel consumption and shipping costs. Pits restore to original size and shape quickly after unpacking.

12 Year Warranty: A long-term warranty is only as dependable as the company standing behind it. After 100 years, you can count on Gill to stand behind your landing system for years to come. If any failure occurs in the first 12 years, under normal use and care, we will repair or replace the damaged part.

Custom Color and Graphics: Choose from over 100 unique vinyl casing and top pad color combinations. Select your vinyl casing (xx) and top pad (yy) color combination. Add distinction with multi-color graphics on the top pad, weather cover, or both.