

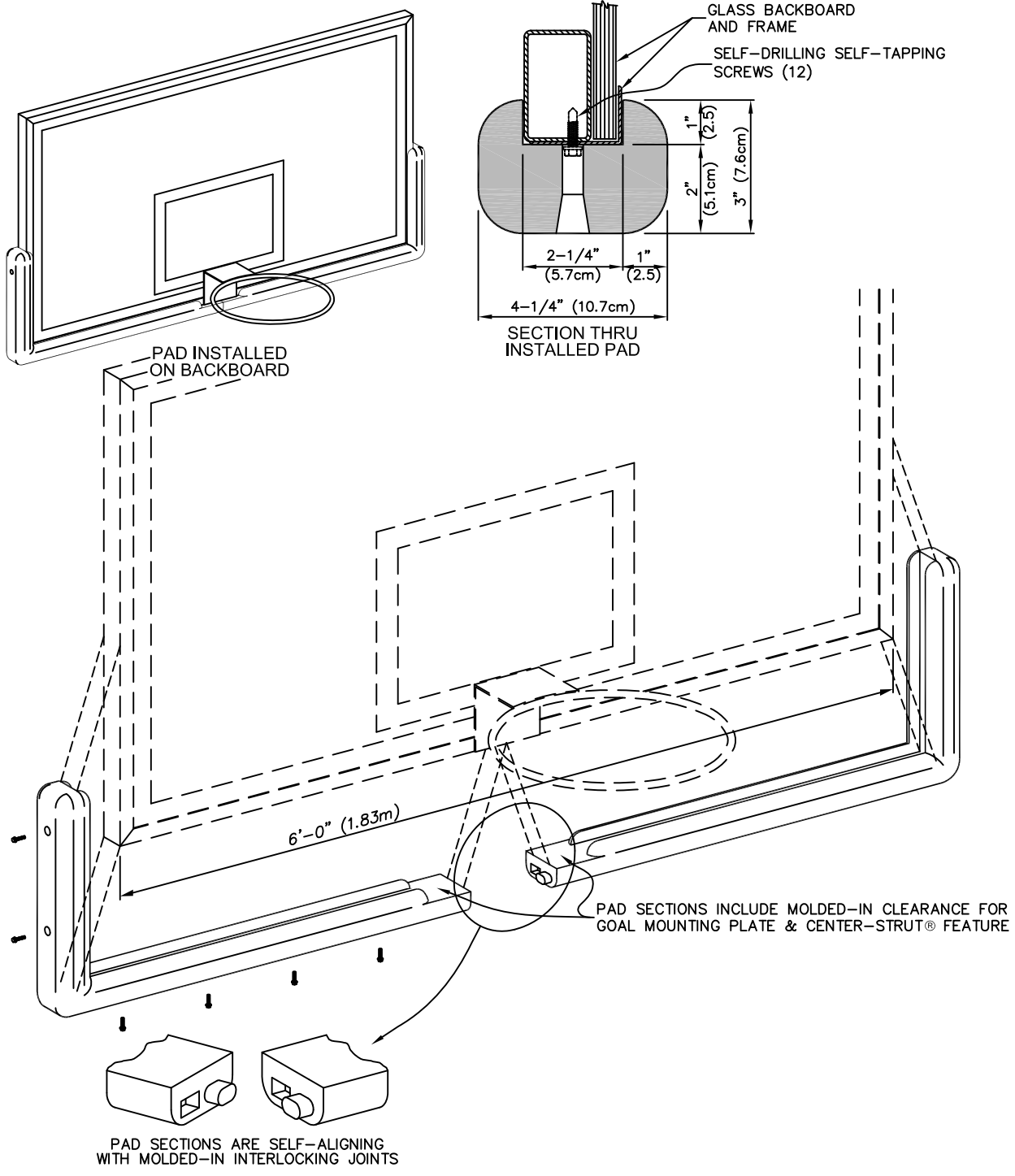
00326xxx - PRO-PAD PADDING KIT

FOR RECTANGULAR BACKBOARD
 PAD MEETS ALL NBA, NCAA, NFHA, AND FIBA REQUIREMENTS

Porter
 WWW.PORTERATHLETIC.COM/FACILITY

BASKETBALL SPECIFICATION SHEET

B-326



_____ - 00326xxx RECTANGULAR BACKBOARD PADDING
 _____ - PADDING COLOR (SEE BACK PAGE FOR OPTIONS)

Porter[®]
 888-277-7778 PORTER@PORTERATHLETIC.COM
 © COPYRIGHT 2012 PORTER ATHLETIC - ALL RIGHTS RESERVED

PROJECT NUMBER _____
 PROJECT NAME _____

00326xxx - PRO-PAD PADDING KIT

FOR RECTANGULAR BACKBOARD
PAD MEETS ALL NBA, NCAA, NFHA, AND FIBA REQUIREMENTS

SPECIFICATIONS

PORTER No. 00326xxx PRO-PAD BACKBOARD PADDING KIT FOR OFFICIAL RECTANGULAR BACKBOARDS (EACH)

Pad shall fit any official size (72" wide) glass backboard. Pad shall consist of two pieces with molded type square corners for maximum safety, appearance and durability. Pads shall be molded from Polyurethane Foam (9 lb. density) with integral skin (self-skinning). Extremely durable skin minimizes the possibility of cracks and tears as on traditional extruded type pads. Pad is provided in colors as listed on chart below.

A positive, bolt-on type attachment system shall be provided to eliminate glue or peel and stick tape type attachment methods. Pad sections are provided with internal, molded in steel attachment channel sections, which are secured to the backboard with special self-drilling, self-tapping attachment hardware provided in kit. Pad sections shall include molded-in clearance for goal mounting plate and Center-Strut feature, eliminating cutting in-field.

For details on compatible backboards see B-200.

WARRANTY

- 326 pads furnished with a 10-year limited warranty

COLOR OPTIONS

- 00326000 GRAY
- 00326100 SCARLET
- 00326200 ROYAL BLUE
- 00326210 NAVY BLUE
- 00326220 LIGHT BLUE
- 00326300 KELLY GREEN
- 00326310 DARK GREEN
- 00326400 MAROON
- 00326500 ORANGE
- 00326600 BLACK
- 00326700 PURPLE
- 00326800 GOLD
- 00326999 UNKNOWN

PORTER
WWW.PORTERATHLETIC.COM/FACILITY

BASKETBALL SPECIFICATION SHEET

B-326