

# VB73A

## Adjustable Volleyball Official's Stand with Padding

**NOTICE:**

**These instructions supplement the instructions found in the hardware box included with your standards.** This manual is intended to outline specific instructions relative to the use, assembly, and installation of VB73A Official's Stand.

**PARTS LIST**

Item	Qty	Description	Item	Qty	Description
A	1	Official's Stand	D	2	Adjustable Tube
B	1	Safety Padding Set	E	2	Locking Pin
C	1	Ratcheting Wrench			

- ◆ Read all instructions before proceeding.
- ◆ Inspect all contents prior to installation. Report any missing or damaged parts immediately.

1. Set up volleyball posts, net and padding completely.
2. Adjust the height of the *Official's Stand* (A) so that the first referee's head is approximately 2 to 3 feet above the net. Remove the *Locking Pins* (E) slide the *Adjustable Tubes* (D) evenly to the desired position and re-insert the *Locking Pins* (E) to hold them in place. See Figure 1
3. Install *Safety Padding Set* (B) on *Officials Stand* (A). See Figure 2.
4. Pull detent pin on clamp arm and rotate up from storage position. Make sure the detent pin is locked into position, the clamp arm is designed to float to allow for possible flex in the standards. See Figure 3 & 4.
5. Using the *Ratcheting Wrench* (C) turn the bolt counter clockwise until the opening allows you to attach the *Official's Stand* (A) to the top of the non-winch end volleyball post. Make sure the *Officials Stand* (A) is level. Turn the *Ratcheting Wrench* (C) clockwise until the *Officials Stand* (A) is securely clamped to the volleyball post. See Figure 3 & 4.

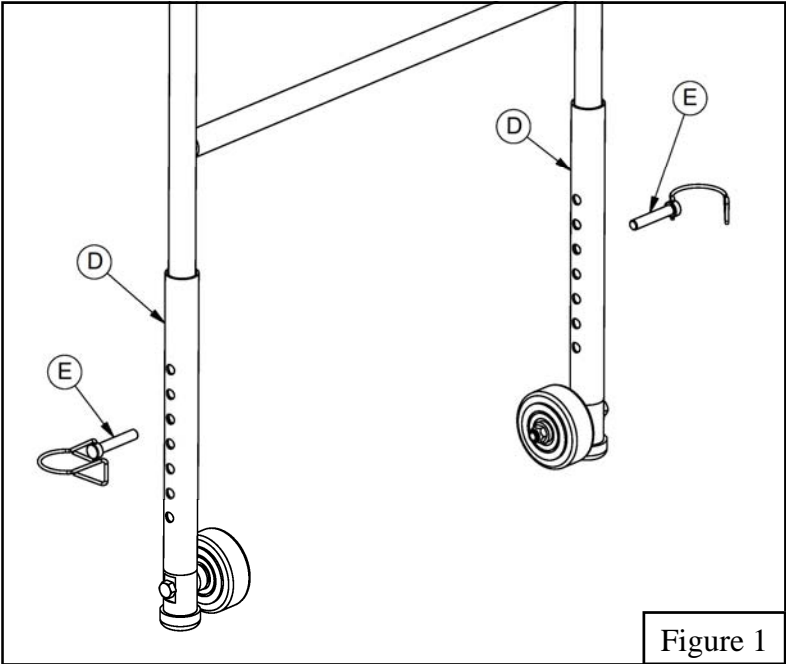


Figure 1

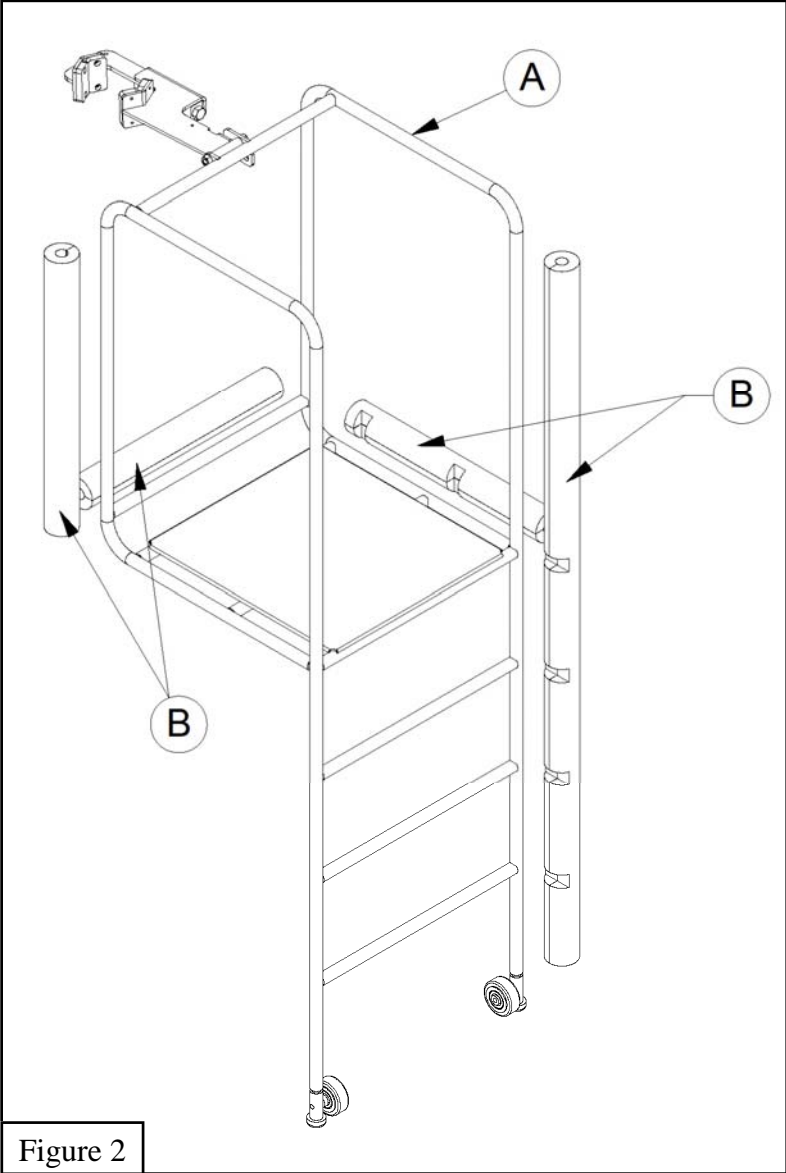


Figure 2

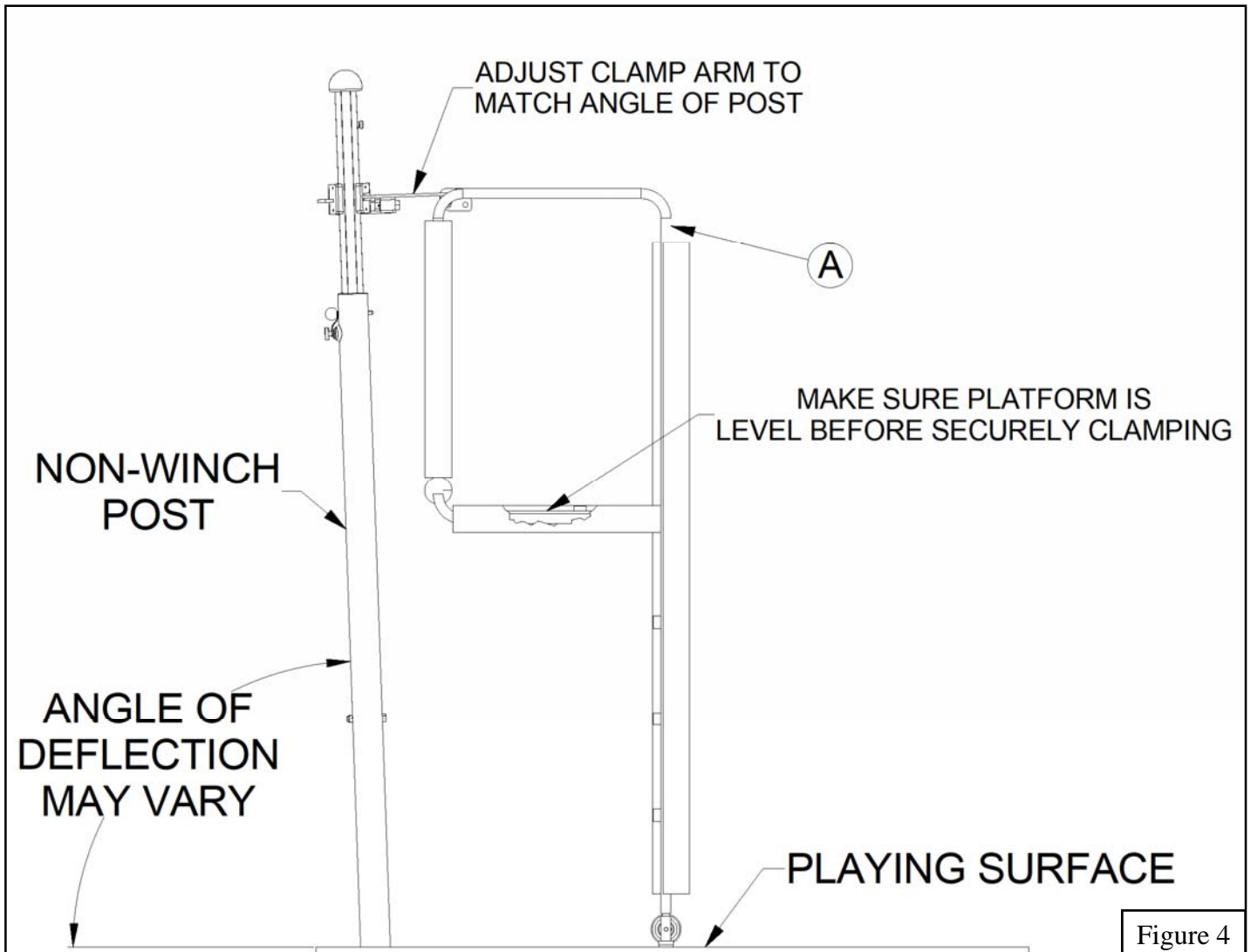
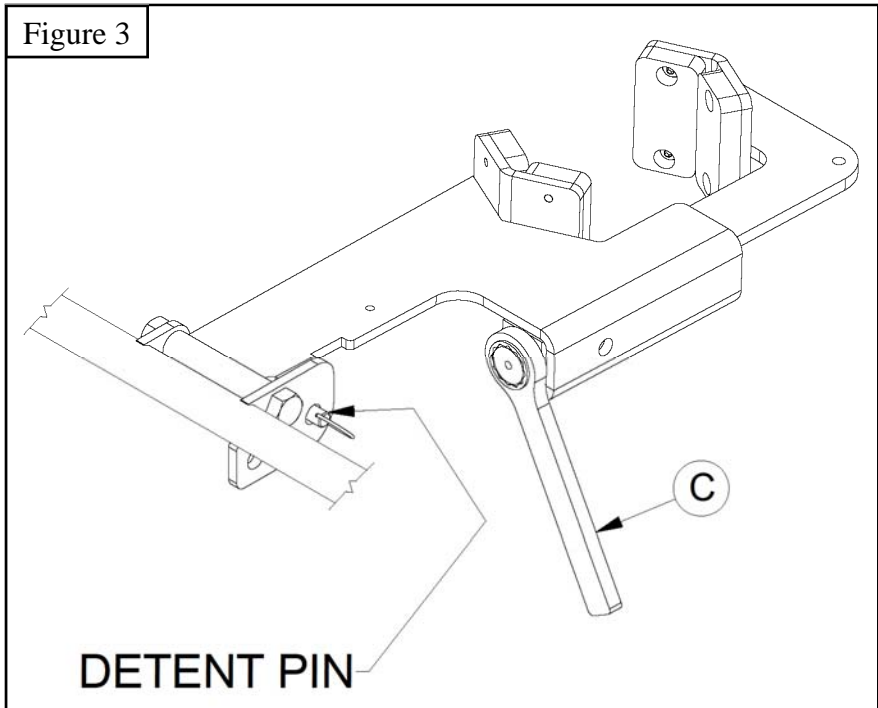


Figure 4