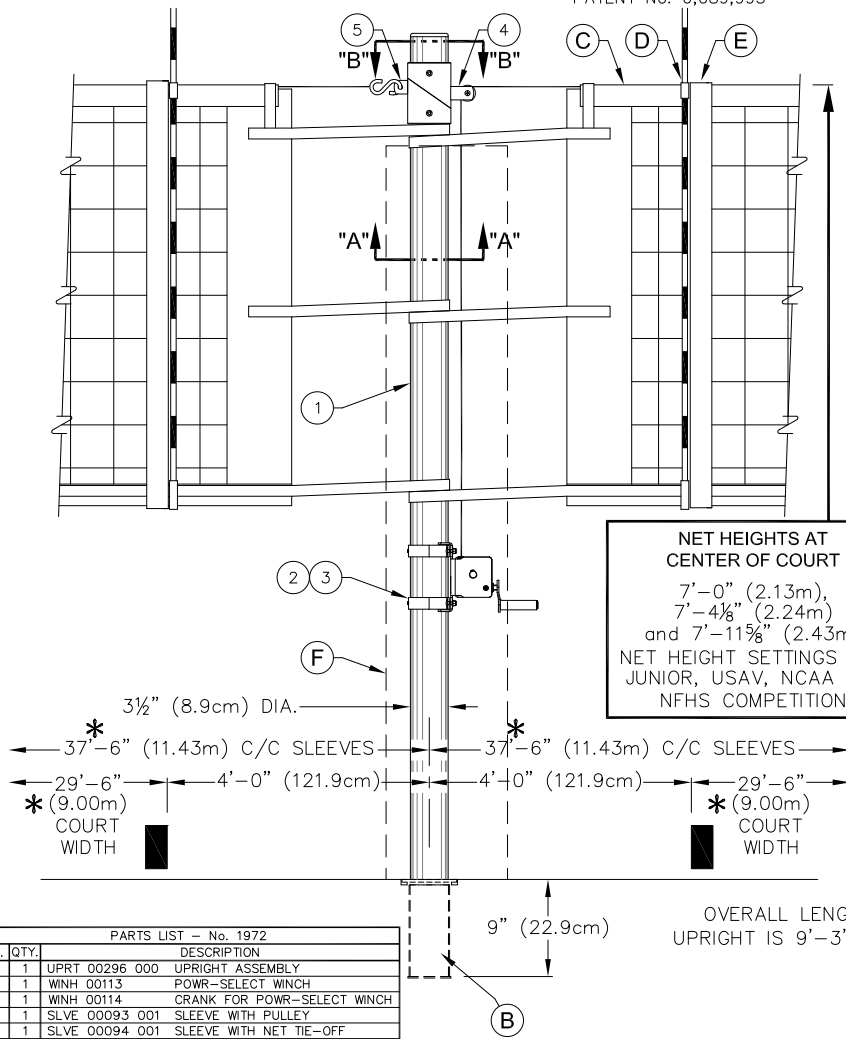


1972 POWR-RIB II VOLLEYBALL SYSTEM

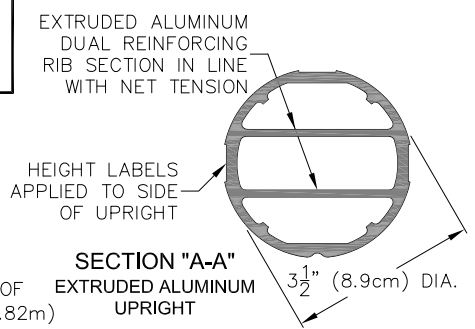
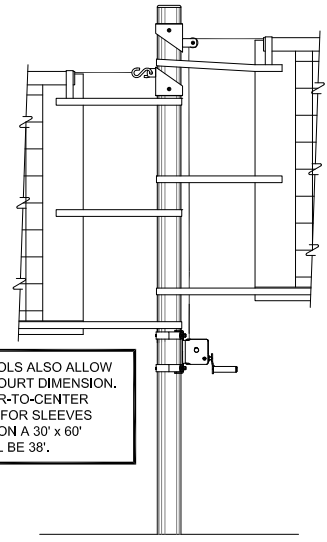
SLEEVE-TYPE 3 1/2" OD ALUMINUM VOLLEYBALL CENTER STANDARD FOR USE WITH POWR-RIB II END STANDARDS

PATENT No. 6,089,995

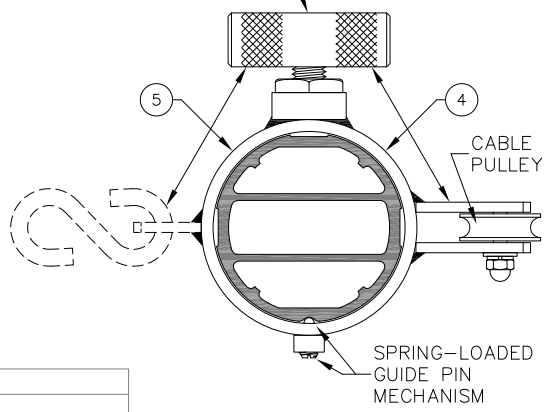


NET HEIGHTS AT CENTER OF COURT
 7'-0" (2.13m),
 7'-4 1/8" (2.24m)
 and 7'-11 5/8" (2.43m)
 NET HEIGHT SETTINGS FOR JUNIOR, USAV, NCAA and NFHS COMPETITION

* HIGH SCHOOLS ALSO ALLOW A 30' x 60' COURT DIMENSION. THE CENTER-TO-CENTER DIMENSION FOR SLEEVES INSTALLED ON A 30' x 60' COURT WILL BE 38'.



PRESSURE-LOCKING T-HANDLE FOR INFINITE NET HEIGHT ADJUSTMENTS



No.	QTY.	DESCRIPTION
1	1	UPRT 00296 000 UPRIGHT ASSEMBLY
2	1	WINH 00113 POWR-SELECT WINCH
3	1	WINH 00114 CRANK FOR POWR-SELECT WINCH
4	1	SLVE 00093 001 SLEEVE WITH PULLEY
5	1	SLVE 00094 001 SLEEVE WITH NET TIE-OFF
6	1	LABL 00167 000 HEIGHT LABEL - 7'-11 5/8"
7	1	LABL 00168 000 HEIGHT LABEL - 7'-4 1/8"
8	1	LABL 00169 001 HEIGHT LABEL - 7'-0"
9	1	LABL 00170 000 HEIGHT LABEL - BADMINTON

- ____ -1972 POWR-RIB II VOLLEYBALL CENTER STANDARD (EACH) FOR USE WITH No. 1971 POWR-RIB II END STANDARDS
- ____ - 19729XX POWR-RIB II VOLLEYBALL CENTER STANDARD WITH PAD (EACH)- 3 1/2" OD
- ____ - 19729XXSP POWR-RIB II VOLLEYBALL CENTER STANDARD WITH GRAPHIC PAD (EACH)- 3 1/2" OD

QTY	PART No.	DESCRIPTION	No.	PAGE No.
	VARIOUS	3 1/2" DIA FLOOR SLEEVE (EACH)	B	VARIOUS
	2295	UNIVERSAL VOLLEYBALL NET (EACH)	C	V-2295
	2297	POWR-SELECT NET ANTENNA (PAIR)	D	V-2297
	00546000	BOUNDARY MARKERS w/ ANTENNA (PAIR)	E	V-546
	8391XX	UPRIGHT CENTER PROTECTIVE PAD (EACH)	F	V-839
	02991340	TENNIS NET - 34' x 39' (NOT SHOWN)		V-2991



PROJECT NUMBER _____

PROJECT NAME _____

Porter
 WWW.PORTERATHLETIC.COM/FACILITY

VOLLEYBALL SPECIFICATION SHEET

V-1972

02/27/2020

1972 POWR-RIB II VOLLEYBALL SYSTEM

SLEEVE-TYPE 3 1/2" OD ALUMINUM VOLLEYBALL CENTER STANDARD FOR USE WITH POWR-RIB II END STANDARDS SPECIFICATIONS

PORTER No. 1972 POWR-RIB II VOLLEYBALL CENTER STANDARD (EACH) FOR USE WITH POWR-RIB II END STANDARDS PATENT No. 6,089,995

Standard shall be designed for multiple court use when used in conjunction with No. 1971 Powr-Rib® II volleyball end standards.

Post shall be provided in a high strength (6063T6), lightweight aluminum alloy, designed with dual internal reinforcing ribs to provide maximum rigidity and minimum deflection. Post to be finished in a durable clear anodized finish. Both ends of upright post shall be fitted with a special molded, composite type cap to protect finished floors when moving standard.

Upright shall be 3-1/2" (8.9cm) O.D. to fit standard floor sleeves for new construction or existing floors. Specify No. 870 or 872 type floor sleeve.

Upright post shall be furnished with dual, split net height adjustment collar assemblies that provide the option of having the same or different net heights on adjacent courts. Adjustment collars are provided with a pressure locking, T-handle mechanism for instant net height settings for tennis, badminton, and volleyball to meet all USAV, NCAA and NFHS requirements for competition. Post shall be furnished with height marking labels for BOYS'/MEN'S height setting of 7' 11-5/8" (2.43m), GIRLS'/WOMEN'S height setting of 7' 4-1/8" (2.24m), 12 YEAR AND UNDER height setting of 7'-0" (2.13m), and BADMINTON height setting of 5'-0" (1.52m).

Adjustable collar assemblies shall be positioned on a vertical axis by means of an external groove in the extruded aluminum upright, which is engaged by a spring-loaded ball/pin mechanism to prevent rotational movement of the collar. A pressure locking, threaded T-handle assembly shall be located on the opposite side of the collar assembly and shall tighten securely against a flat, extruded channel indent on the upright post for a positive locking system.

Tensioning reel shall be a vertical lift, worm gear winch with steel frame. Frame construction shall be of interlocking steel for high rigidity and precise alignment, semi enclosed for safety, and powder coated for corrosion resistance. Self-locking worm drive will prevent snap back or loss of tension. Net shall attach directly to the winch eliminating the need for straps.

NET SELECTION

Specify No. 2235 tennis net if 42'-0" sleeve centers are used.

Specify No. 02991340 tennis net if 35'-6" sleeve centers are used.

Specify No. 2236110 net for badminton application.

WARRANTY

Volleyball system furnished with the following warranty:

Uprights – 10 year limited warranty

Winch – 1 year limited warranty

ISSUED FEBRUARY 27, 2020, SUBJECT TO CURRENT MANUFACTURING PROCEDURES AND CHANGES
COPYRIGHT 2020 - PORTER ATHLETIC - ALL RIGHTS RESERVED
PORTER@PORTERATHLETIC.COM

PORTER
WWW.PORTERATHLETIC.COM/FACILITY

VOLLEYBALL SPECIFICATION SHEET

V-1972

02/27/2020