

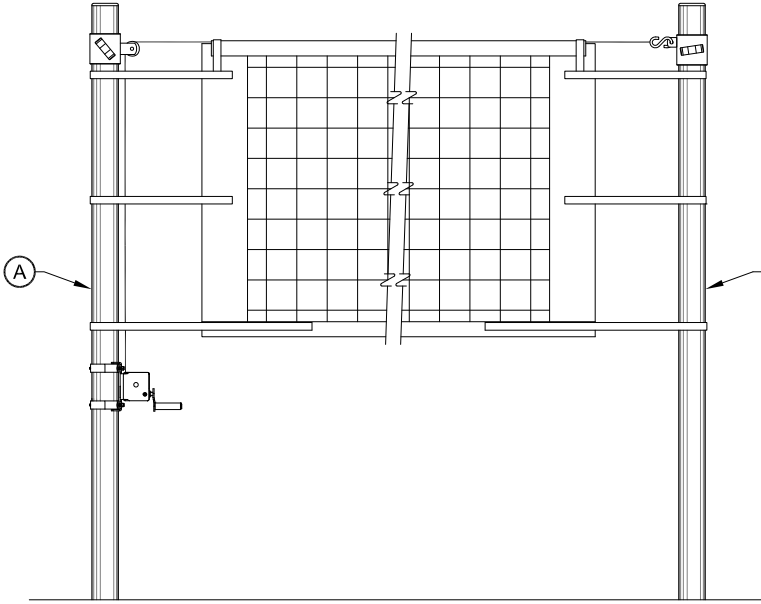
19610XX POWR-RIB II VOLLEYBALL PACKAGE

SLEEVE-TYPE 3 1/2" OD ALUMINUM COMPETITION PACKAGE PLUS

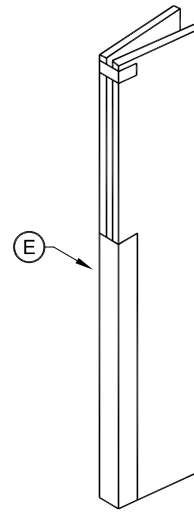
Porter
 WWW.PORTERATHLETIC.COM/FACILITY

VOLLEYBALL SPECIFICATION SHEET

V-1961

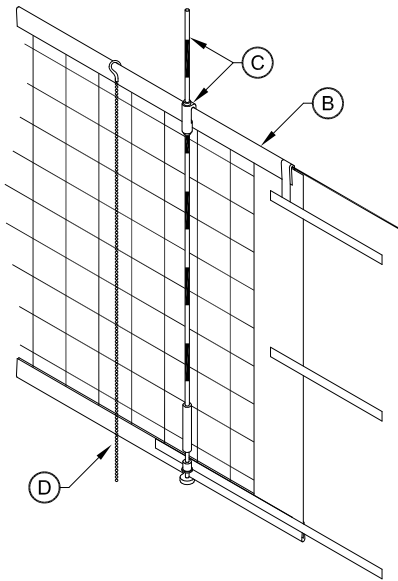


(A) 1971 PAIR OF POWR-RIB II VOLLEYBALL STANDARDS
(See Page No. V-1971)

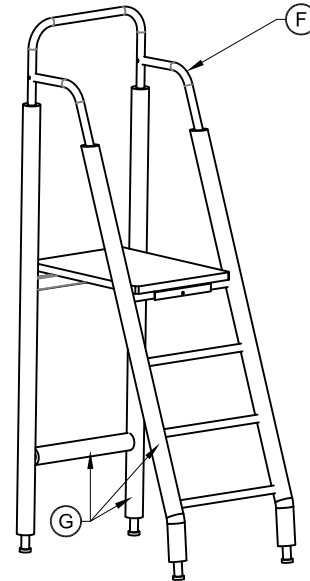


(E) 8390XX PAIR OF VOLLEYBALL UPRIGHT PROTECTIVE PADS
(See Page No. V-839)

COLOR SELECTION			
<input type="checkbox"/>	01 - Light Blue	<input type="checkbox"/>	09 - Gray
<input type="checkbox"/>	02 - Royal Blue	<input type="checkbox"/>	10 - Maroon
<input type="checkbox"/>	03 - Red	<input type="checkbox"/>	11 - Purple
<input type="checkbox"/>	04 - White	<input type="checkbox"/>	12 - Black
<input type="checkbox"/>	05 - Orange	<input type="checkbox"/>	13 - Navy Blue
<input type="checkbox"/>	06 - Yellow Gold	<input type="checkbox"/>	14 - Kelly Green
<input type="checkbox"/>	08 - Tan	<input type="checkbox"/>	15 - Dark Green

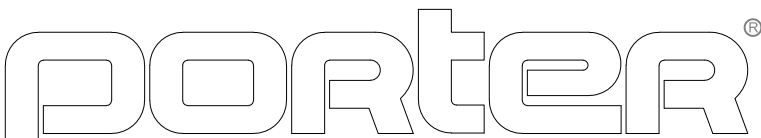


- (B) 2295 UNIVERSAL VOLLEYBALL NET
(See Page No. V-2295)
- (C) 2297 PAIR OF NET ANTENNAE (See V-2297)
- (D) NETCHAIN FAIR-HEIGHT NET CHAIN



- (F) 669100 JUDGE'S STAND
(See Page No. V-669100)
- (G) 6693XX SET OF PROTECTIVE PADS

- _____ - 19610XX POWR-RIB II VOLLEYBALL COMPETITION PACKAGE PLUS WITH PADS (PAIR) -3 1/2" OD
- _____ - 19610XXSP POWR-RIB II VOLLEYBALL COMPETITION PACKAGE PLUS WITH GRAPHIC PADS (PAIR) -3 1/2" OD
- _____ - 19630XX POWR-RIB II VOLLEYBALL COMPETITION PACKAGE PLUS WITH PADS (PAIR) -3" OD
- _____ - 19630XXSP POWR-RIB II VOLLEYBALL COMPETITION PACKAGE PLUS WITH GRAPHIC PADS (PAIR) -3" OD



888-277-7778 PORTER@PORTERATHLETIC.COM
 © COPYRIGHT 2021 PORTER ATHLETIC - ALL RIGHTS RESERVED

PROJECT NUMBER _____

PROJECT NAME _____

01/07/2021