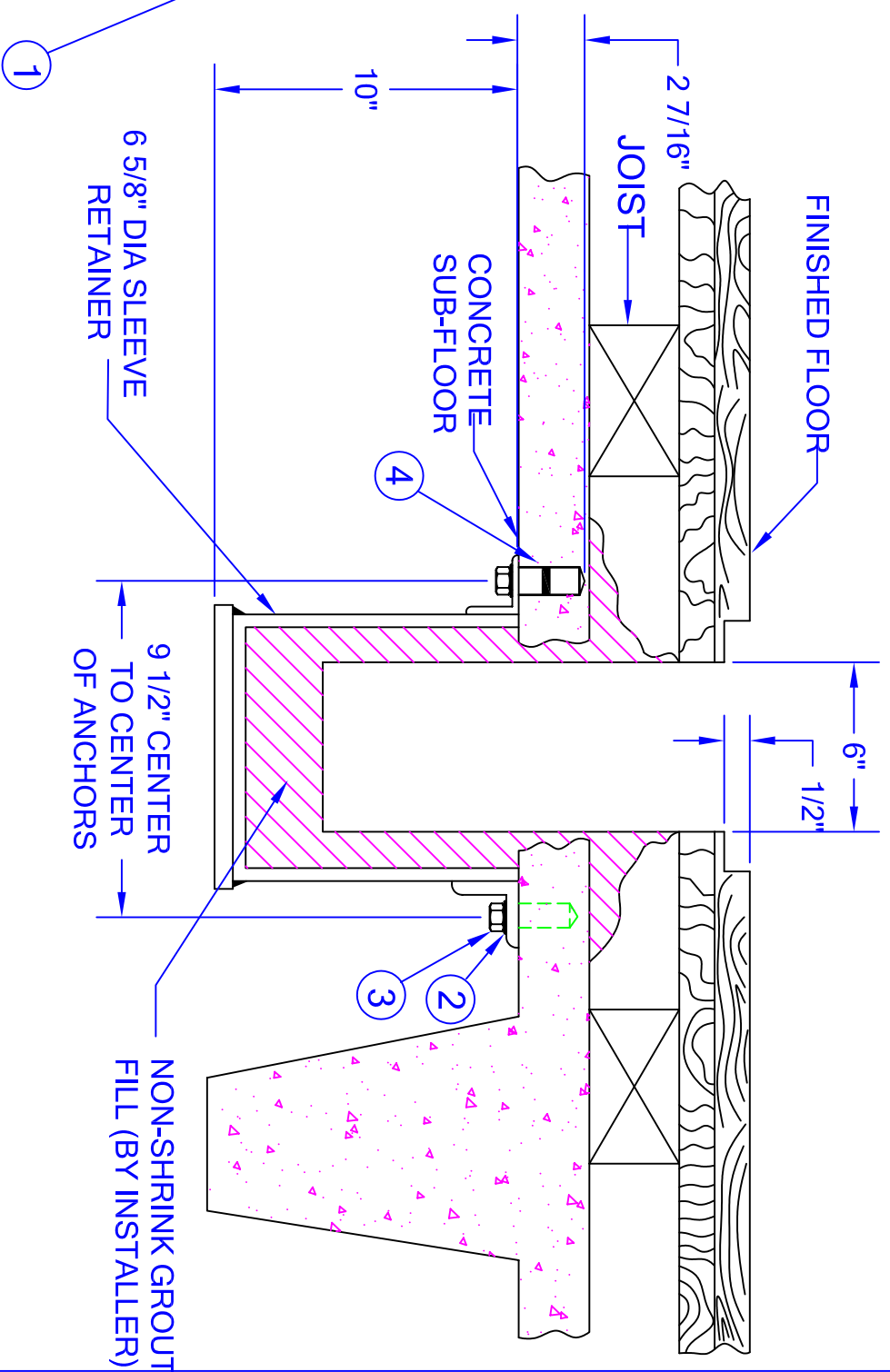


10" FROM FINISHED FLOOR TO
INSIDE BOTTOM OF SLEEVE

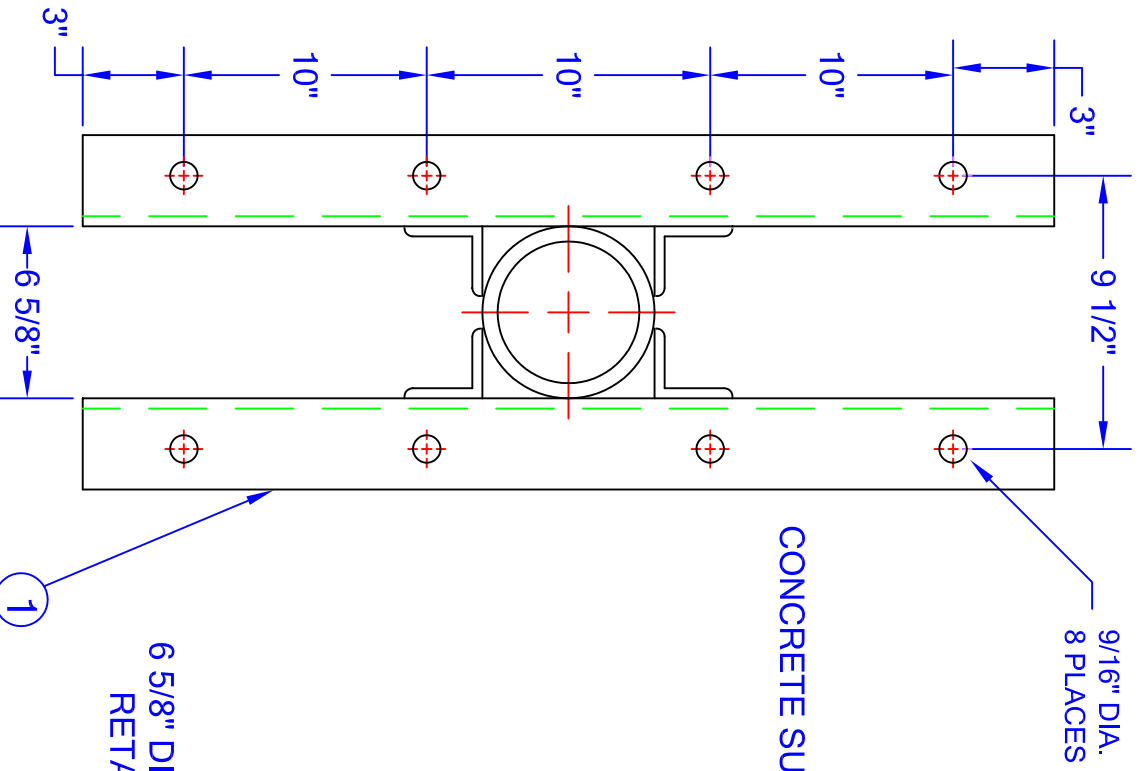
SEE SEPARATE FLOOR
SLEEVE INSTALLATION
DIAGRAMS FOR COMPLETE
SLEEVE INSTALLATION DETAILS



ATTACH TO SUB FLOOR PER SPACING SHOWN
ABOVE (8) PLACES

1 PER UNIT

| | | | |
|---|--|---|--|
| <p>Jaypro Sports 976 Hartford Turnpike Waterford, CT 06385 USA (800)243-0533 (800)988-3363 Fax www.jaypro.com</p> | | <p>MODEL NO.: SB-10</p> | |
| <p>PRODUCT NAME: SECOND FLOOR SLEEVE BUCKET</p> | | <p>DRAWN BY: JAC</p> | |
| <p>EFFECTIVE DATE: 4-29-03</p> | | <p>EFFECTIVE DATE: 4-29-03</p> | |



9/16" DIA.
8 PLACES

CONCRETE SUB-FLOOR

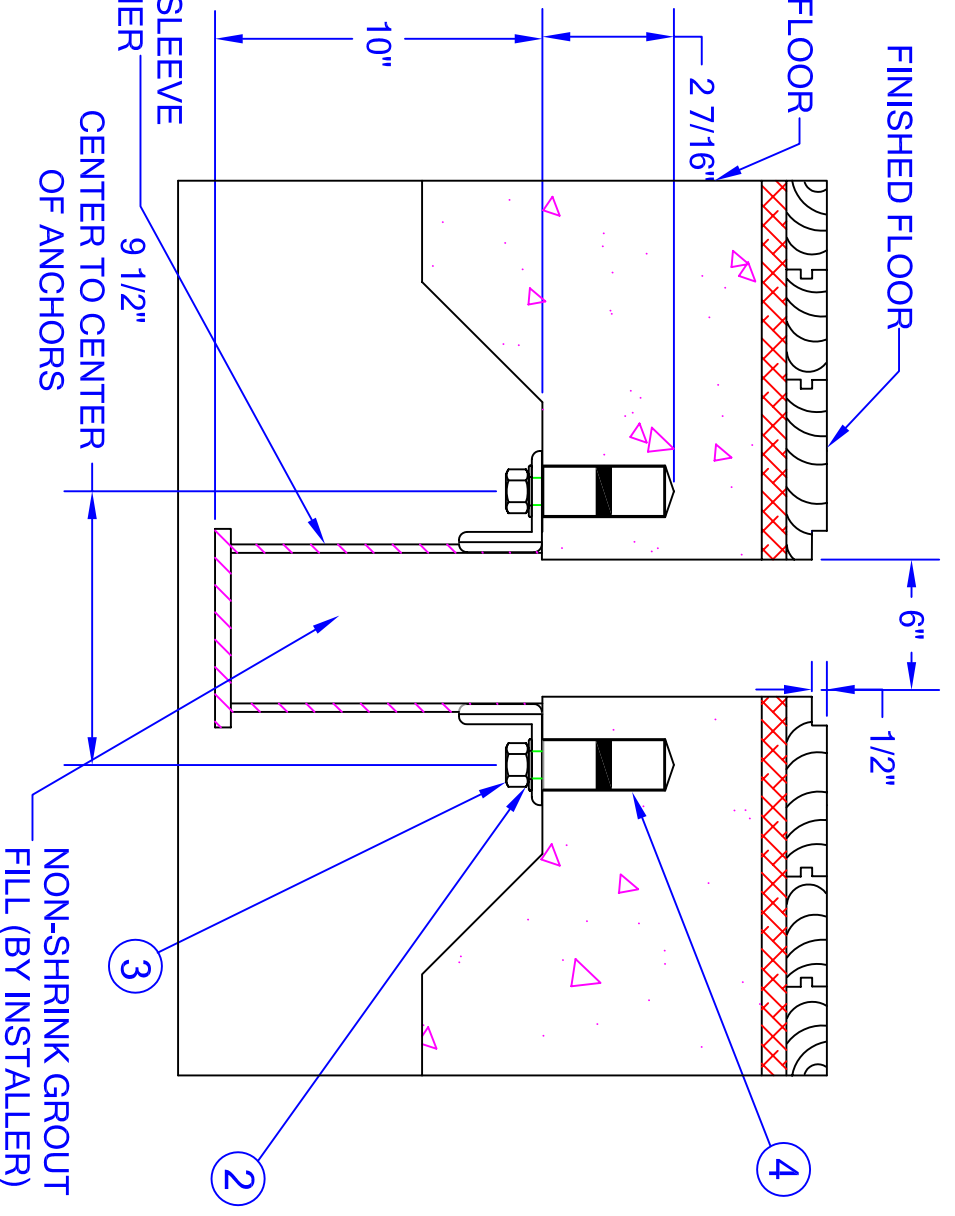
1

ATTACH TO SUB FLOOR PER SPACING SHOWN
ABOVE (8) PLACES

1 PER UNIT

10" FROM FINISHED FLOOR TO
INSIDE BOTTOM OF SLEEVE

SEE SEPARATE FLOOR
SLEEVE INSTALLATION
DIAGRAMS FOR COMPLETE
SLEEVE INSTALLATION DETAILS



6"
1/2"

FINISHED FLOOR

6 5/8" DIA SLEEVE
RETAINER

9 1/2"
CENTER TO CENTER
OF ANCHORS

NON-SHRINK GROUT
FILL (BY INSTALLER)

3

2

4

Jaypro Sports

976 Hartford Turnpike
Waterford, CT 06385 USA
(800)243-0533
(800)988-3363 Fax

www.jaypro.com

MODEL NO.:
SB-10

PRODUCT NAME:

SECOND FLOOR SLEEVE BUCKET

DRAWN BY: JAC

EFFECTIVE DATE:
4-29-03

JAYPRO SPORTS
SECOND FLOOR SLEEVE BUCKET, SB-10
LIST OF MATERIALS

| <u>PIECE NO.</u> | <u>PART NO.</u> | <u>DESCRIPTION</u> | <u>QTY.</u> |
|------------------|-----------------|-------------------------------|-------------|
| 1 | SB101 | SLEEVE BUCKET SINGLE ASSEMBLY | 1 |
| 2 | HW2044 | ½" FLAT WASHER | 8 |
| 3 | HS2726 | ½"-13 x 2 ½" HEX HEAD SCREW | 8 |
| 4 | HM2711 | 7035 STAR EXPANSION SHIELD | 8 |