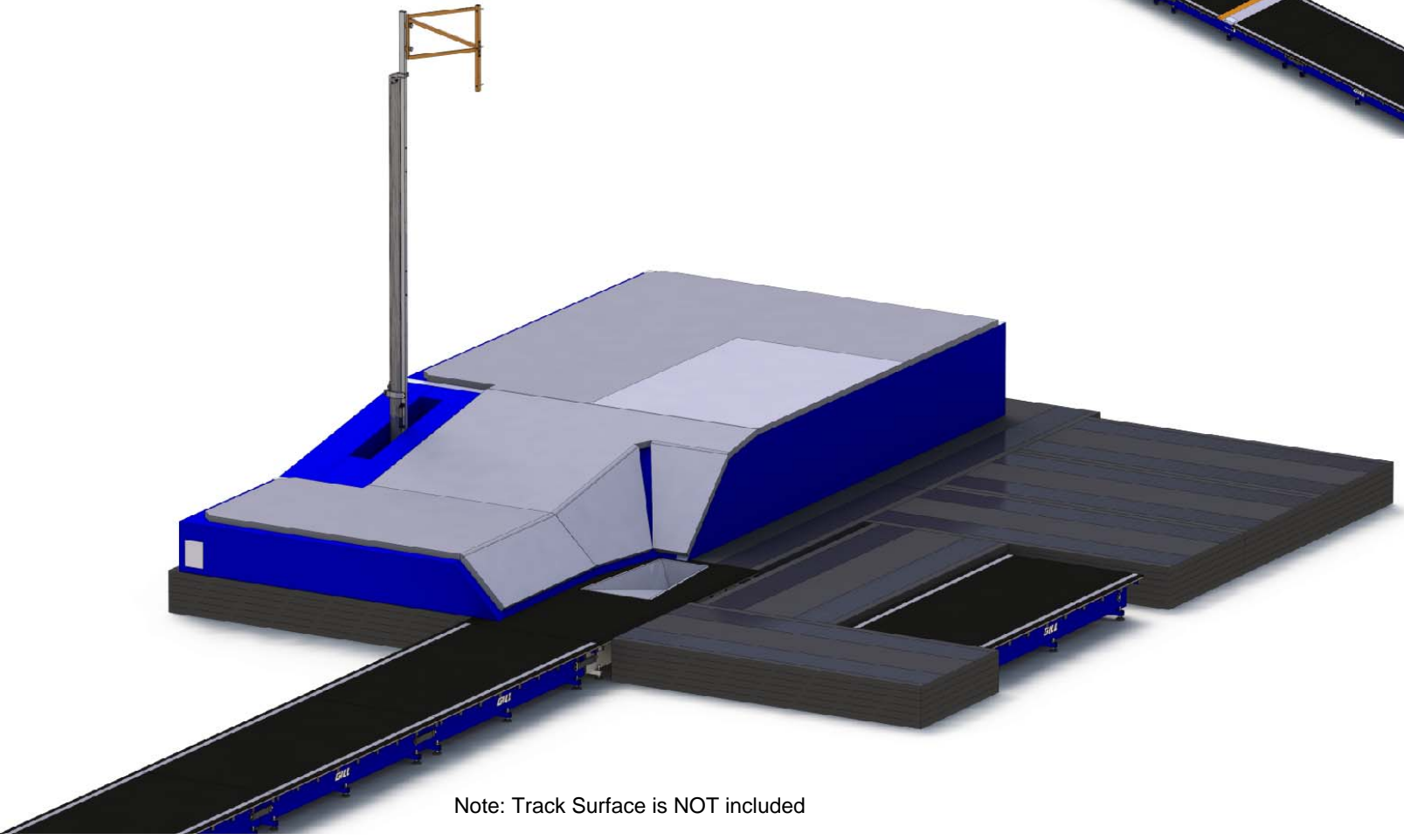
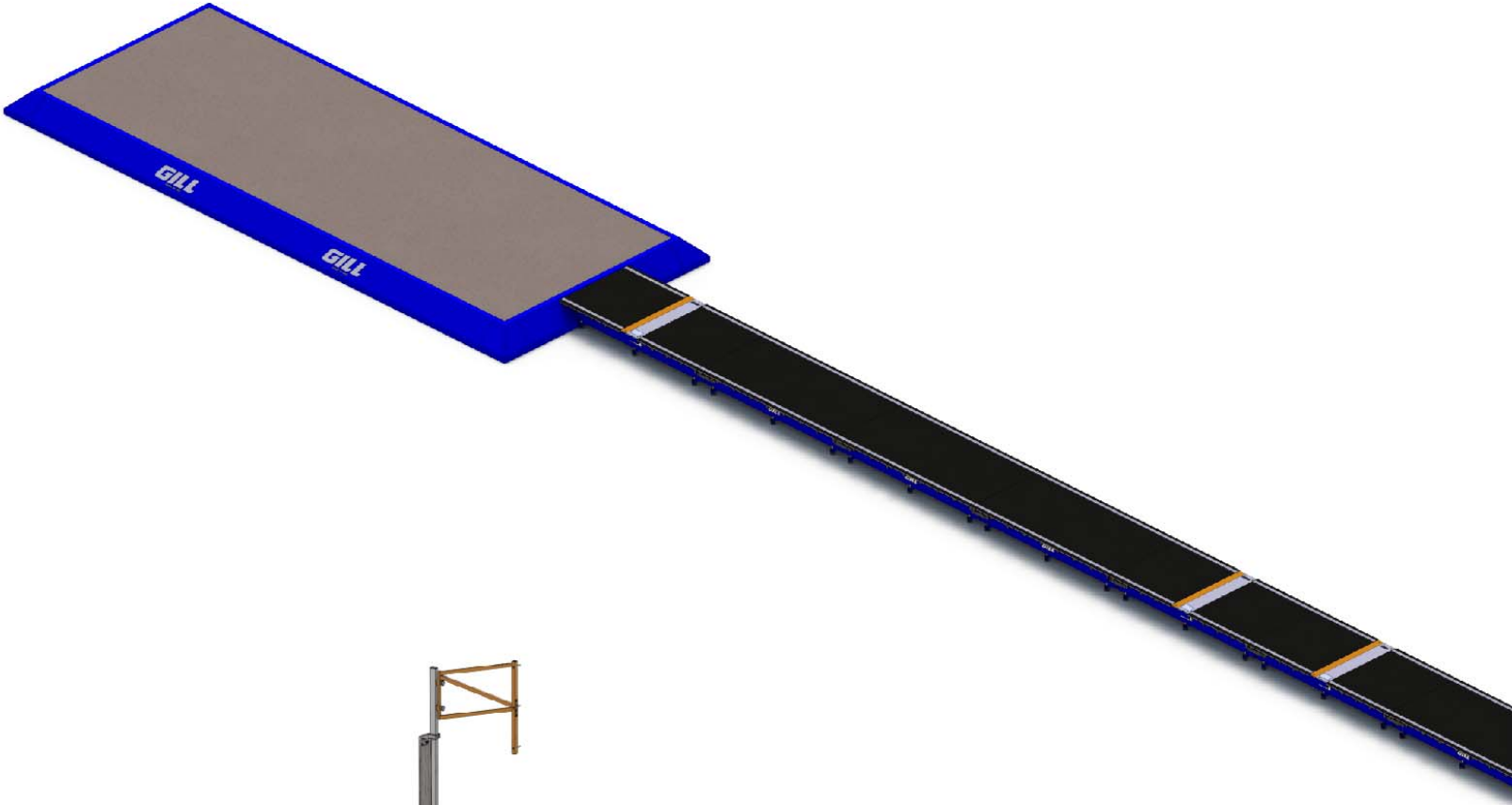




www.gillathletics.com  
800-637-3090

# RAISED RUNWAY SYSTEM INSTRUCTION MANUAL



Note: Track Surface is NOT included



www.gillathletics.com  
800-637-3090

# RAISED RUNWAY SYSTEM INSTRUCTION MANUAL

## HOW TO ORDER A POLE VAULT RUNWAY

- \_\_\_ x RR200 - Vault Box Runway Section
- \_\_\_ x RR500 - PV Pit Riser Pad
- \_\_\_ x RR100 - Basic Runway Section

To determine the number of PV Pit Riser Pads needed, consult the RR500 spec sheet for more details.

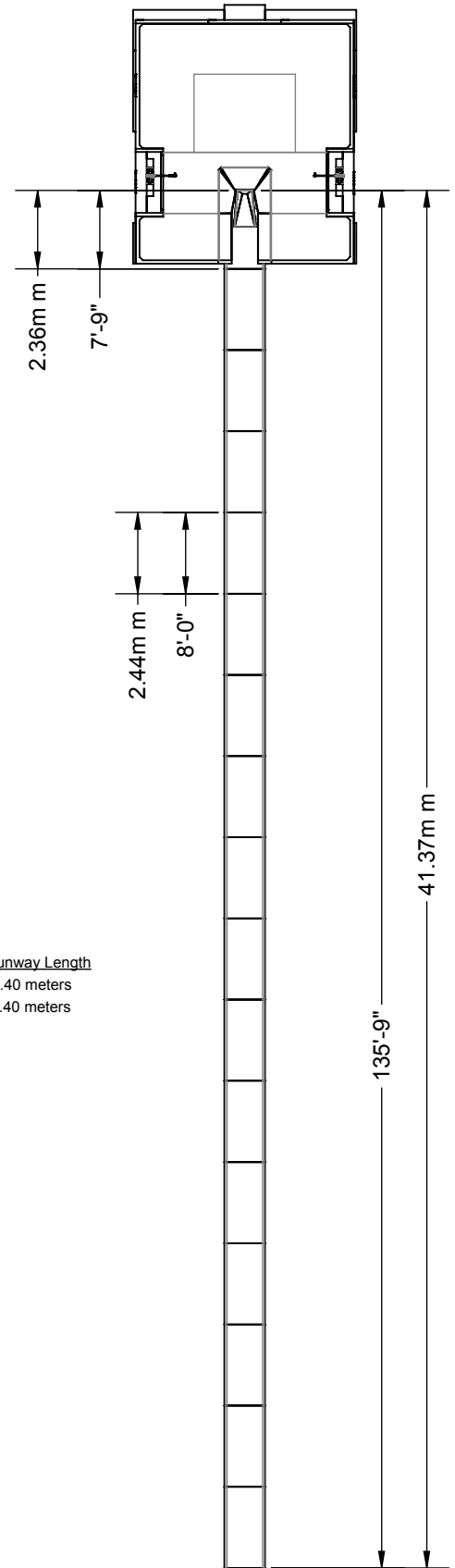
PV Pit Model	Recommended Pit Riser Qty
66711.....	16
66511.....	14
66311.....	12
65611.....	12
65411.....	10
653.....	10

To determine the number of Basic Runway Sections needed, use the following formula.

1. Determine the desired runway length in meters
2. Subtract 2.36
3. Divide by 2.438
4. Round up
5. Add 2 (to support the PV Standards)

*Example:*

The NCAA recommends a minimum runway length of 40 meters.  
 $40m - 2.36m = 37.64m$   
 $37.64m / 2.438m = 15.44$   
 15.44 rounds up to 16  
 $16 + 2 = 18$  total basic runway sections



Minimum Runway Length  
 NCAA.....40 meters  
 NFHS.....40 meters



www.gillathletics.com  
800-637-3090

# RAISED RUNWAY SYSTEM INSTRUCTION MANUAL

## HOW TO ORDER A LONG JUMP / TRIPLE JUMP RUNWAY

- 1 x RR400 - Soft Shell Sand Pit Form
- 1 x RR300 - Long Jump Runway Section
- x RR350 - Triple Jump Runway Section; Centered
- x RR351 - Triple Jump Runway Section; Offset
- x RR100 - Basic Runway Section
- x 435010 - Take Off Board Assembly (at least one)

Determine the position of the Triple Jump Take Off Board Sections.

1. Note the desired take off board position in meters
2. Add 8' (2.44m) sections up until you're past the desired location
3. Determine which take off board sections best fit your needs
4. Continue adding take off board sections as needed.

Determine the number of Basic Runway Sections needed behind the furthest take off board.

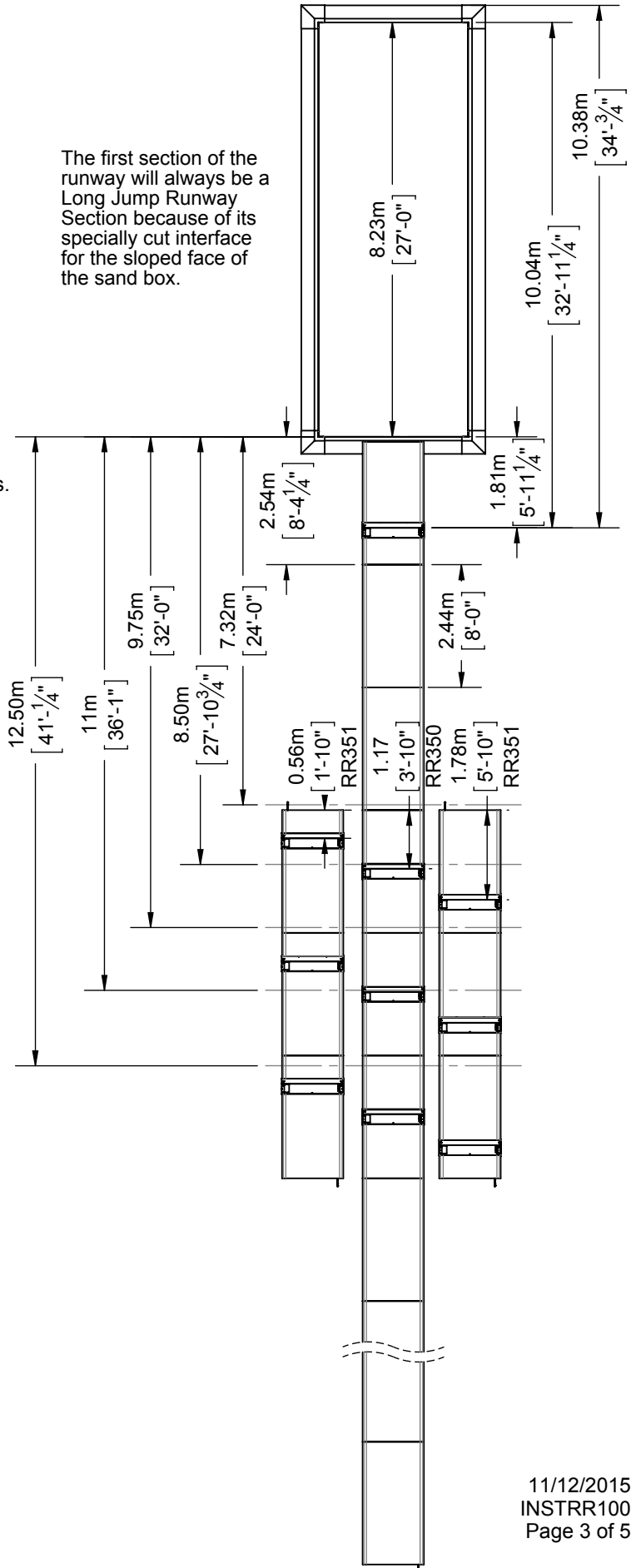
*16 or 17 Basic runway sections will be needed behind the furthest take off board to ensure a minimum of 40m runway.*

Add the number of Basic Runway Sections between the LJ and TJ sections to the number needed after the furthest take off board to get the total number of Basic Runway Sections to order.

Long Jump Take Off Board Positions  
(from the nearest edge of the landing area)  
NCAA.....1 to 3 meters  
NFHS.....Approx. 12 feet for boys  
NFHS.....Approx. 8 feet for girls

Triple Jump Take Off Board Positions  
(from the nearest edge of the landing area)  
NCAA.....At least 11m (12.5m recommended) for men  
NCAA.....At least 8.5m (11m recommended) for women  
NFHS.....Approx. 32 feet for boys  
NFHS.....Approx. 24 feet for girls

Minimum Runway Length  
NCAA.....40 meters  
NFHS.....40 meters

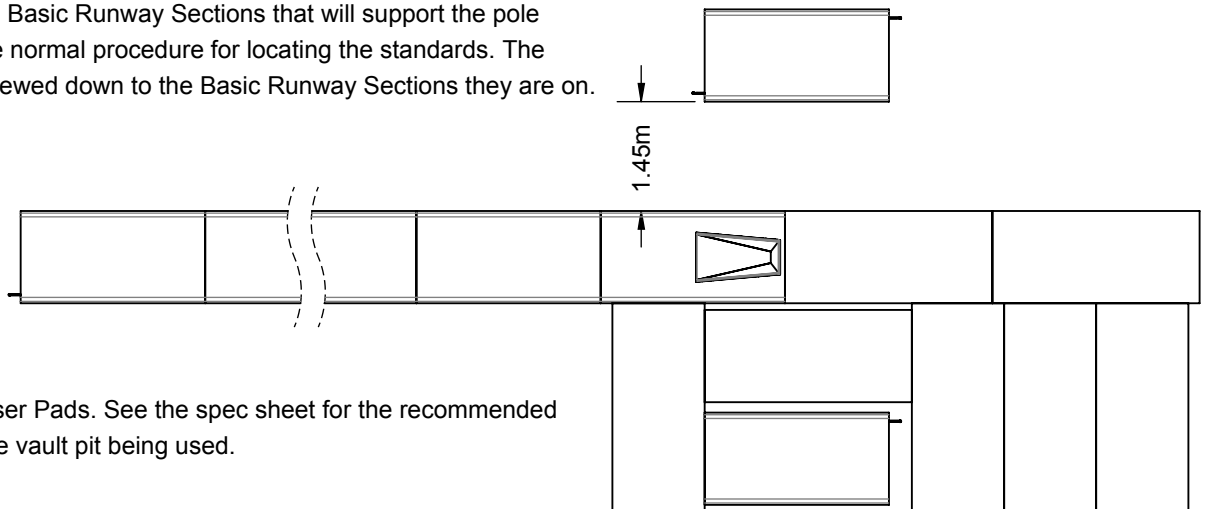


### SETTING UP A POLE VAULT RAISED RUNWAY

1. Start by deciding where to locate the runway. Measure out and mark it off to ensure that the runway and pole vault pit will fit in the space allotted. See page 2 and the pole vault pit spec sheets for sizes.

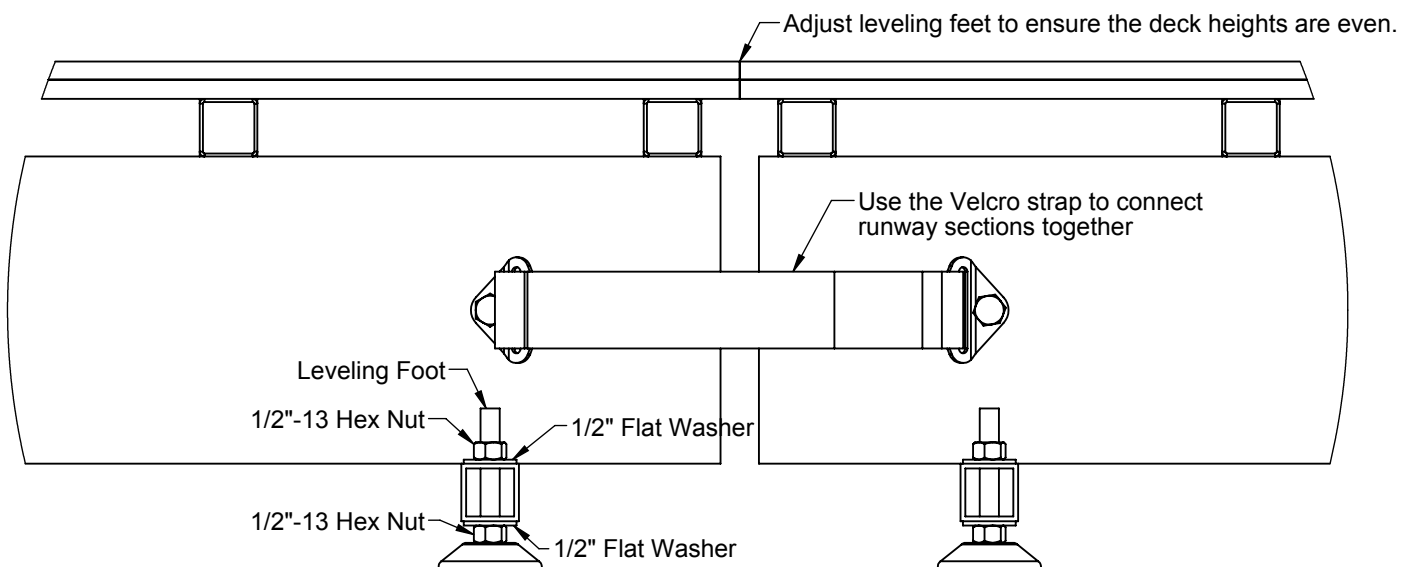
2. Start laying out the runway sections, starting with the Vault Box Runway Section. Install the leveling feet as you go. Use the leveling feet to adjust the deck height to remove any small differences where the runway sections meet. Use the Velcro straps to connect the sections.

3. Next, position the two Basic Runway Sections that will support the pole vault standards. Use the normal procedure for locating the standards. The standards should be screwed down to the Basic Runway Sections they are on.



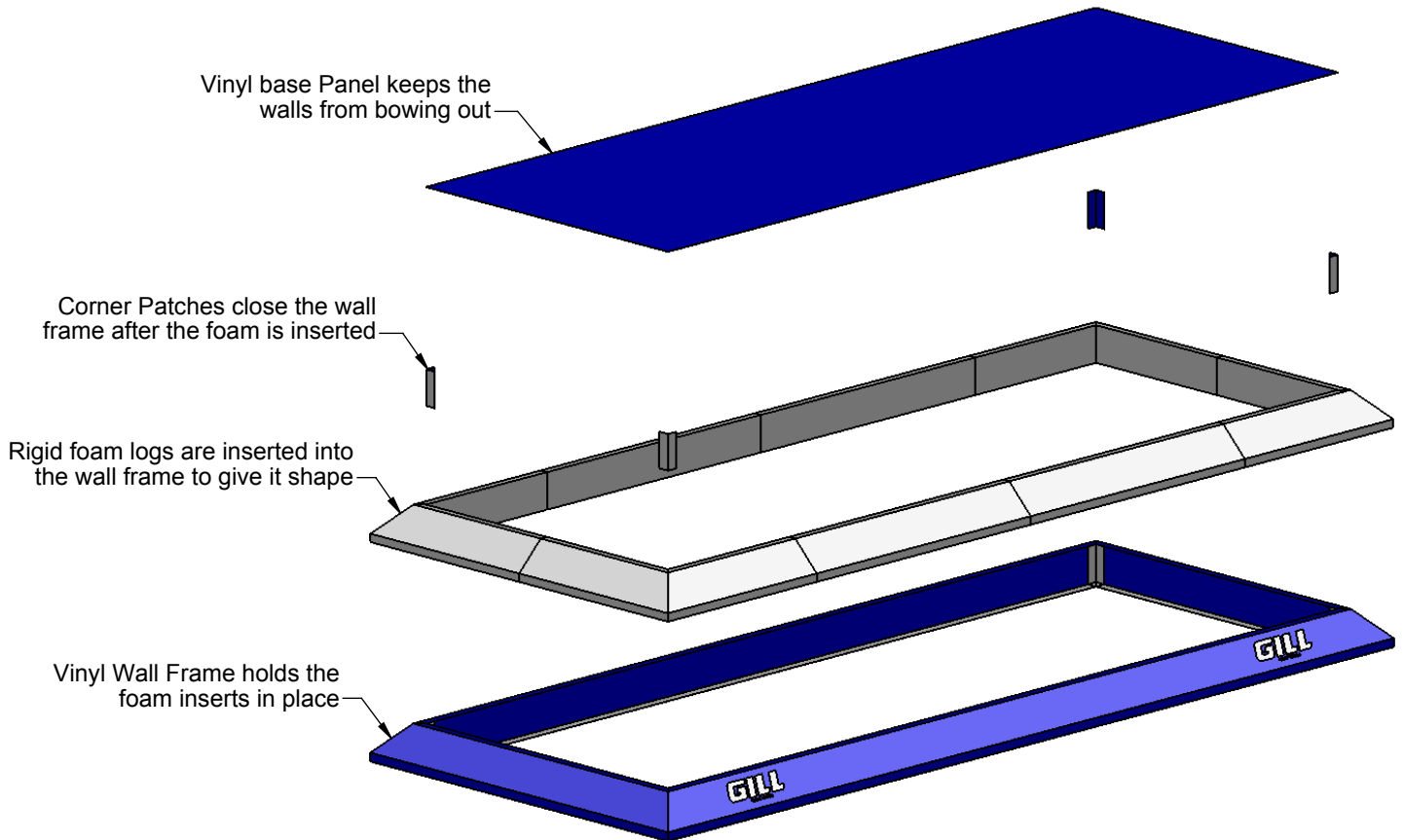
4. Lay out the PV Pit Riser Pads. See the spec sheet for the recommended configuration for the pole vault pit being used.

5. Set up the pole vault pit on top of the PV Pit Riser Pads.



### SETTING UP A LONG JUMP TRIPLE JUMP RAISED RUNWAY

1. Start by deciding where to locate the runway. Measure out and mark it off to ensure that the runway and soft shell sand pit form will fit in the space allotted. See page 3 for details.
2. Insert the foam logs into the vinyl frame wall as shown below. Close the flaps of the vinyl casing to secure the foam in place. At the four inside corners attach the corner patches. Place the vinyl base panel in the frame and velcro it down to the walls. It is recommended to lay thin plywood down inside the sand pit before filling it with sand. This will help protect the vinyl when shoveling the sand out later. It is also recommended that only plastic shovels be used.



3. Start laying out the runway sections, starting with the Long Jump Runway Section. Install the leveling feet as you go. Use the leveling feet to adjust the deck height to remove any small differences where the runway sections meet. Use the Velcro straps to connect the sections. See page 4 for details. Make sure to put locate the Triple Jump Runway Sections correctly, see page 3.
4. Install take off boards and/or blanking lids where needed.

THIS WARNING IS GIVEN IN COMPLIANCE WITH CALIFORNIA'S PROPOSITION 65:  
**WARNING**  
This product contains chemicals known to the State of California to cause cancer, birth defects or other reproductive harm.