

Big Shot Pro

No. 9572



Porter®

Installation, Operation, and Maintenance Manual

SAVE THESE INSTRUCTIONS FOR FUTURE USE

WARNING: REFER TO THESE SAFE USAGE AND OPERATION INSTRUCTIONS BEFORE USING THIS EQUIPMENT.



SAFETY INSTRUCTIONS

FAILURE TO FOLLOW THESE INSTRUCTIONS MAY RESULT IN SERIOUS INJURIES AND PROPERTY DAMAGE, AND WILL VOID WARRANTY. READ AND FOLLOW ALL SAFETY INSTRUCTIONS AND WARNINGS IN THIS BOOKLET.

The owner of this equipment is responsible to ensure that all players know and follow these rules for safe usage and operation of this system.

To ensure safety, do not attempt to assemble this system without following the instructions carefully. Proper and complete assembly, use and supervision is essential for proper operation, and to reduce the risk of accident or injury. A high probability of serious injury exists if this system is not installed, maintained, and operated properly.

- If necessary to use a ladder during assembly, use extreme caution.
- Three adults are required for the safe assembly/installation of this system.
- Before digging, contact your local utility companies to locate buried electrical, gas and water lines. Also, check for overhead utility lines. Ensure there are no overhead utility lines within a 20 ft. (6m) radius of pole location.
- Climate, corrosion or misuse could result in system failure.
- If technical assistance is required, contact Porter at the address and phone number listed on this sheet.
- Minimum operational height is 5'-6" (1.68m) to the bottom of the backboard.

Most injuries are caused by misuse and/or not following instructions. Use caution when using this system.



WARNING

FAILURE TO FOLLOW THESE WARNINGS MAY RESULT IN SERIOUS INJURIES AND /OR PROPERTY DAMAGE

The owner of this equipment is responsible to ensure that all players know and follow these rules for safe usage and operation of this system.

- DO NOT HANG on the rim or any part of the system, including backboard, support braces or net.
- During play, especially when performing dunk-type activities, keep player's face away from the backboard, rim, and net. Serious injuries could occur if teeth/face come in contact with backboard, rim, or net. All players must wear a mouth guard when performing dunk-type activities.
- Do not slide, climb or play on pole.
- When adjusting height of rim, keep hands and fingers away from moving parts.
- Do not allow children to adjust system.
- When not in use, always keep unit at the 10' rim height and store the crank handle in a secure location to reduce the possibility of misuse by unauthorized or unsupervised individuals.
- During play, do not wear jewelry (rings, watches, necklaces, etc.). These objects may entangle in net.
- Keep organic material away from base of pole. Grass, litter, etc. could cause corrosion and/or deterioration.
- Lubricate Height Adjustment Crank and all hinge points per the manufacturer's recommendations in the operating instructions.
- Keep top end of pole and top end of height adjustment crank, covered at all times.
- Check pole system for signs of corrosion (rust, pitting, chipping, etc.) and repaint with exterior enamel paint. If rust has penetrated through the steel anywhere, replace pole immediately.
- Check system before each use for loose hardware, excessive wear, and signs of corrosion, and repair before use.
- Check system before each use for instability.

WARNING

READ ALL WARNINGS THOROUGHLY BEFORE USING THIS EQUIPMENT.

FAILURE TO COMPLY WITH THE FOLLOWING INSTRUCTIONS AND WARNINGS MAY RESULT IN SERIOUS INJURIES AND/OR PROPERTY DAMAGE.

- Use extreme caution when performing dunk-type activities on this unit.
- During play, do not wear jewelry (rings, watches, necklaces, etc.) as these objects may entangle in net, causing serious injuries.
- During play, use caution to keep player's head and face away from the backboard, rim and net. The use of a mouth guard is recommended to reduce the possibility of player's teeth becoming entrapped in the net.
- Do not climb, slide or play on this unit.
- Keep organic material away from pole base. Grass, litter, etc. could cause corrosion and/or deterioration, resulting in structural failure.
- Check pole and entire support system at least twice a year. Keep pole top covered at all times. Check all components for excessive wear or signs of fatigue, and tighten all nuts and bolts. Replace damaged or fatigued structural components and missing hardware immediately to prevent structural failure and possible injuries.
- Lubricate internal crank screw mechanism and all hinge points per maintenance instructions below.
- Always keep unit padlocked at the 10' goal height to reduce the possibility of misuse by unauthorized individuals.

Failure to follow these warnings and maintenance procedures may result in serious injury and/or property damage. The owner of this equipment must ensure that all players know and follow these rules for safe operation of the unit.

NOTE – For aggressive play, use of the pole pad and backboard pad is highly recommended to minimize injuries to players.

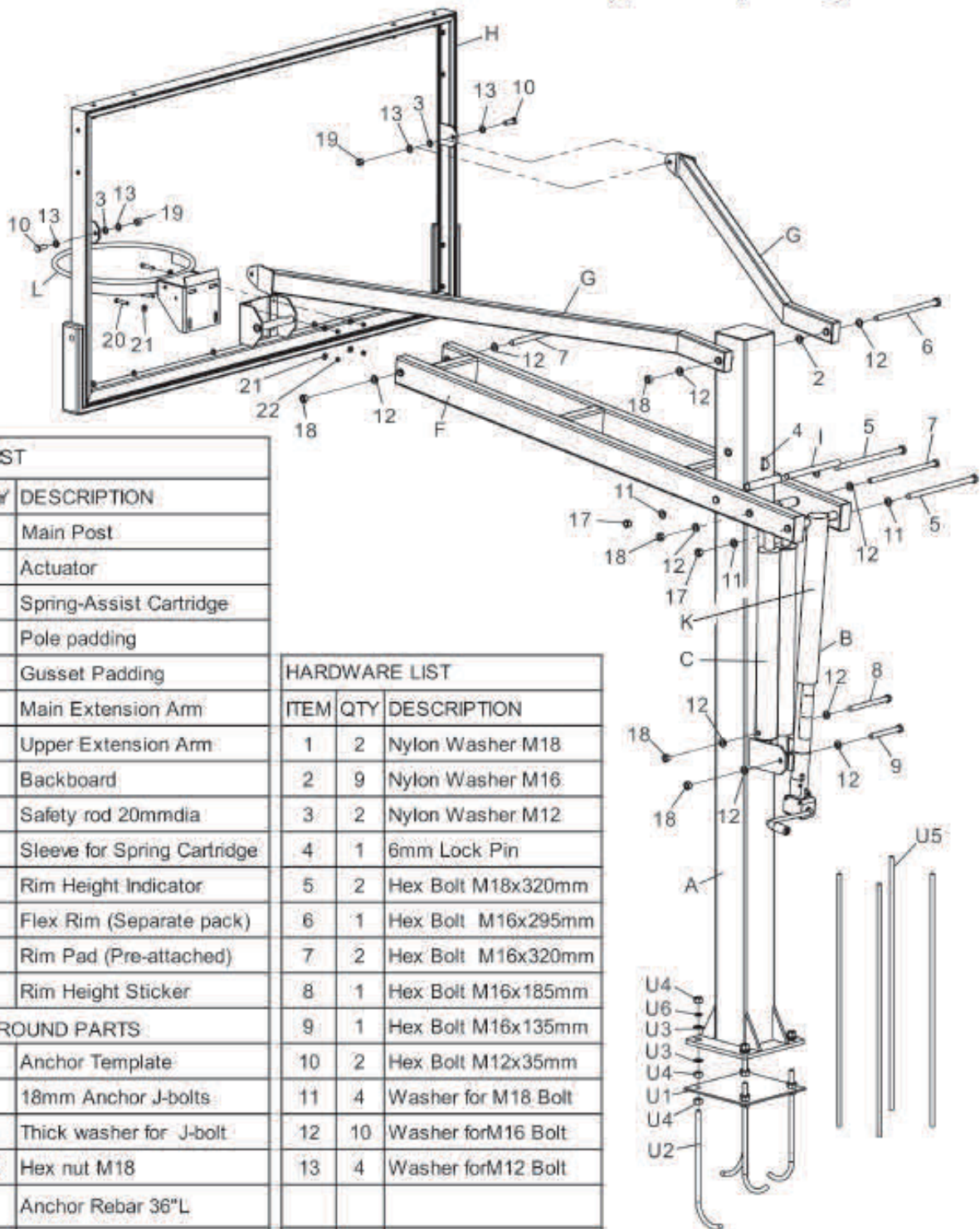
THE OWNER OF THIS EQUIPMENT IS RESPONSIBLE TO ENSURE THAT ALL INDIVIDUALS FOLLOW THESE SAFETY AND OPERATING INSTRUCTIONS TO AVOID INJURIES OR PROPERTY DAMAGE. PROPER USE AND SUPERVISION OF THIS EQUIPMENT IS ESSENTIAL TO HELP REDUCE THE POSSIBILITY OF ACCIDENTS OR INJURIES.

MANDATORY MAINTENANCE

- Inspect unit before each use for loose or missing hardware, damaged components, etc. and repair or replace before using the unit.
- Check concrete footings and anchor bolts for tightness, cracking or structural damage and make any necessary repairs or replacements immediately.
- At least semi-annually, spray all hinge points, anchor bolts and height adjustment crank components with a high quality rust and corrosion inhibitor-type aerosol lubricant.
- Clean glass backboard ONLY with mild soap and water, or an equivalent glass cleaner.

PARTS LIST

Verify all parts listed on packaging list are present prior to installation. Contact our customer service at 888.277.7778 for assistance with replacement of any parts missing or damaged.



PARTS LIST

ITEM	QTY	DESCRIPTION
A	1	Main Post
B	1	Actuator
C	2	Spring-Assist Cartridge
D	1	Pole padding
E	1	Gusset Padding
F	1	Main Extension Arm
G	2	Upper Extension Arm
H	1	Backboard
I	1	Safety rod 20mmdia
J	1	Sleeve for Spring Cartridge
K	1	Rim Height Indicator
L	1	Flex Rim (Separate pack)
M	1	Rim Pad (Pre-attached)
N	1	Rim Height Sticker

HARDWARE LIST

ITEM	QTY	DESCRIPTION
1	2	Nylon Washer M18
2	9	Nylon Washer M16
3	2	Nylon Washer M12
4	1	6mm Lock Pin
5	2	Hex Bolt M18x320mm
6	1	Hex Bolt M16x295mm
7	2	Hex Bolt M16x320mm
8	1	Hex Bolt M16x185mm
9	1	Hex Bolt M16x135mm
10	2	Hex Bolt M12x35mm
11	4	Washer for M18 Bolt
12	10	Washer for M16 Bolt
13	4	Washer for M12 Bolt

UNDERGROUND PARTS

U1	1	Anchor Template
U2	4	18mm Anchor J-bolts
U3	8	Thick washer for J-bolt
U4	12	Hex nut M18
U5	4	Anchor Rebar 36"L
U6	4	Lock Washer M18

RIM HARDWARE

20	4	Hex bolt 3/8"x2-1/2"
21	8	Washer 3/8"
22	4	Flange nut 3/8"

17	2	Hex Nut M18
18	5	Hex Nut M16
19	2	Hex Nut M12

NOTE: Before digging, call to locate any buried utility lines.

NOTE: At rim height 10', distance from the face of backboard to the front of Main Post(A) is 4', Choose the proper location to dig for the concrete footing:

STEP A

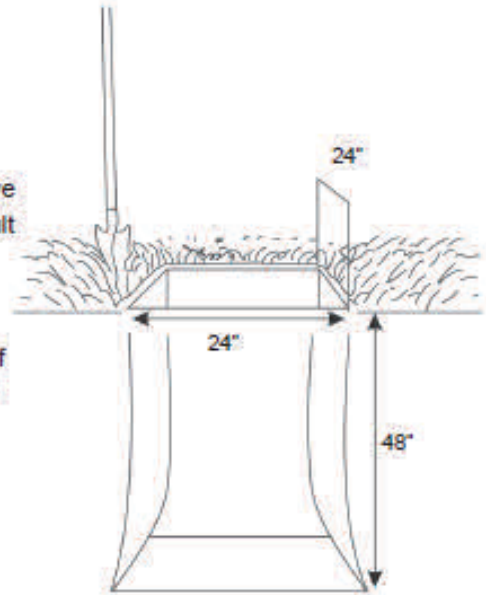
- a. Dig a hole 48" deep and 24" x 24" square. The edge of the hole should be flush with the edge of the playing surface. If you live in an area where heavy frost can occur, it may pose a problem, consult your local building inspector to determine the appropriate hole depth.

NOTE: The hole must be at least 48" deep.

- b. Build a form before pouring the concrete pad, to ensure that the top of the concrete remains straight and square. The form should be placed about 1/2" above the playing surface to allow for water drainage.
- c. Bell out the bottom of the hole.

NOTE: A square hole prevents the rotation of the concrete.

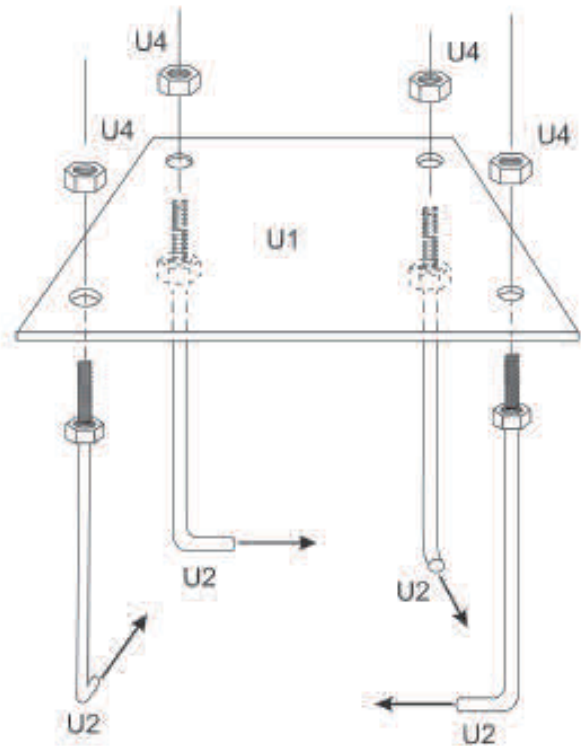
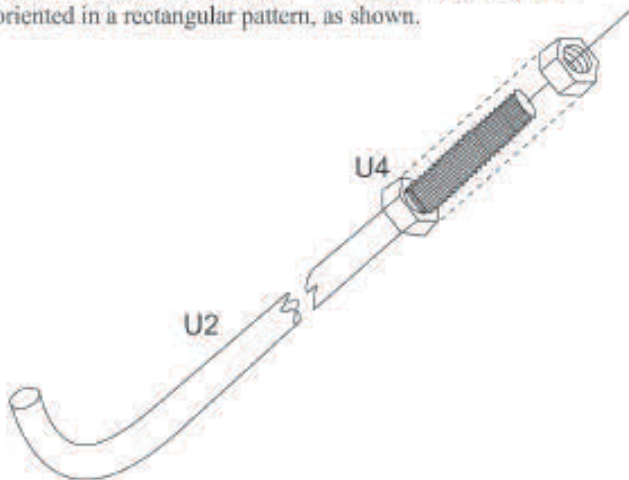
NOTE: The area behind the playing surface must be cleared off by at least 36" to enable the user to stand behind the pole to adjust the Rim height.



STEP B

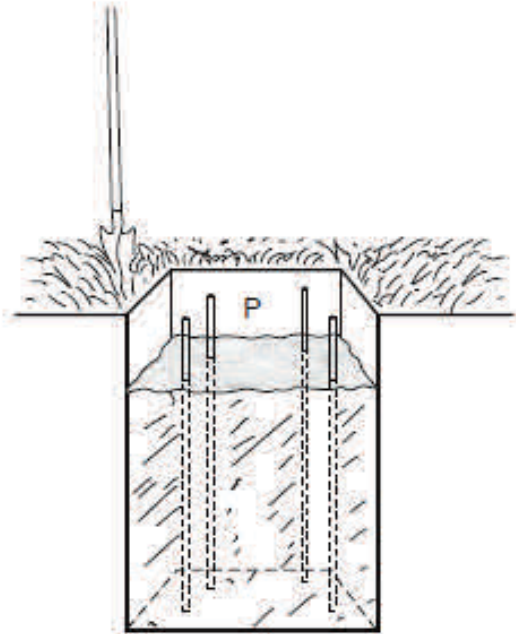
- A. Thread a 18mm Hex Nut (U4) onto each of the 18mm J-Bolts (U2). Securely tighten the Nuts all the way down to the end of the threads.
- B. Slide the threaded end of the J-Bolts through the holes in the Anchor Template (U1) and secure each J-Bolt with a 18mm J-Bolt Hex Nuts (U4) as shown. Securely tighten all Nuts at this time.

NOTE: Make sure the curved "J" ends of the J-Bolts are oriented in a rectangular pattern, as shown.



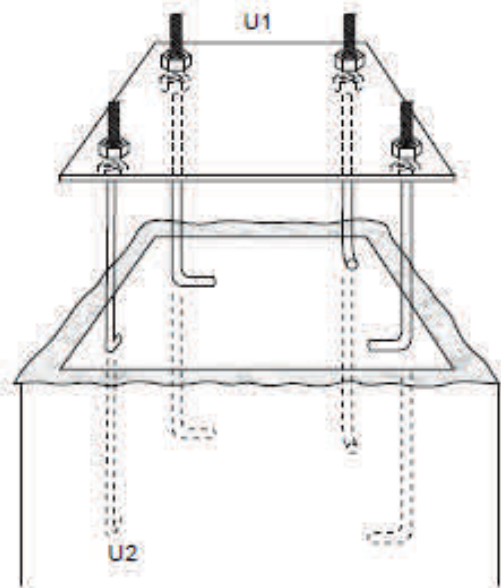
STEP C

- Mix the concrete according to the instructions on the bags. Note that a thicker mix of concrete will dry stronger than a thin mix. Pour the concrete into the hole, stopping approximately 18 inches from the top of the hole.
- Insert the four pieces of Anchor Rebar (U5) into the hole, pushing each piece firmly to the bottom of the hole. The four pieces should be arranged in a square approximately 8 inches wide so that each piece of rebar will be positioned next to the J-Bolts when the J-Bolt Template is placed in the cement.
- Finish filling the hole to the top with concrete. The top of the concrete should reach just above the level of the top of the form.



STEP D

- Position the J-Bolt Template (U1) over the hole so that it is centered, with the sides of the plate square with the sides of the hole.
- Push the J-Bolts (U2) into the concrete until the J-Bolt Template is resting flat against the surface of the concrete.
- Grasp the tops of the J-Bolts and agitate the Template assembly back and forth repeatedly to eliminate any air bubbles in the concrete. Lift the Template slightly above the concrete when agitating. Make sure the Template is resting on the concrete after agitating. Form the concrete into a downward slope away from the Pole to allow water runoff.
- Clean off any concrete that may be on the J-Bolt Template or the exposed portions of the J-Bolts.
- Using a carpenter's level, make sure the Template is square to and level with the playing surface.
- Allow the concrete to cure for a minimum of 7 days before installing the rest of your basketball system. In cold, wet weather or humid climates, allow additional time for the concrete to cure.



YOU ARE NOW FINISHED WITH THE INITIAL ASSEMBLY STEPS. DO NOT PROCEED WITH THE FINAL ASSEMBLY UNTIL THE CONCRETE HAS FULLY CURED. THE CONCRETE REACHES FULL STRENGTH AT 28 DAYS. WE RECOMMEND ALLOWING AT LEAST 7 DAYS BEFORE COMMENCING WITH THE FINAL ASSEMBLY STEPS.



WARNING



NEVER USE THE SYSTEM WITHOUT FOLLOWING THE CEMENTING INSTRUCTIONS. FAILURE TO FOLLOW ALL OF THESE INSTRUCTIONS AND WARNINGS COULD LEAD TO SERIOUS PERSONAL INJURY OR PROPERTY DAMAGE AS LISTED ON PAGE ONE.



WARNING



BECAUSE OF THE SIZE AND WEIGHT OF THE SYSTEM, A MINIMUM OF THREE ADULTS ARE REQUIRED FOR THE FOLLOWING STEPS

Tightening of the stainless steel nuts onto the bolts can be sensitive and sometimes start to bind. If this happens, stop immediately. Loosen the nut, apply some grease to the bolt thread and wind the nut back on as slowly as possible.

STEP 1

- Slide a 18mm Thick Washer (U3) over each of the J-Bolts (U2) as shown in FIGURE 1A.
- Remove the Padding from Main Post (A). Place the Main Post (A) over the J-Bolts. Slide a 18mm Thick Washer (U3), a Lock washer 18mm (U6) and thread a 18mm Hex Nut (U4) to each J-bolt. Tighten the Nuts only a few turns onto the J-Bolts as shown in FIGURE 1B.
- If the Main Post (A) is not exactly vertical, adjust the 18mm J-Bolt Hex Nuts (U4) located under the Post base. Tighten all of the Hex Nuts (U4) Above Post base when Main Post (A) is vertical.

NOTE: Face the Main Post (A) with Actuator Bracket facing away from playing court (as shown in FIGURE 1C).

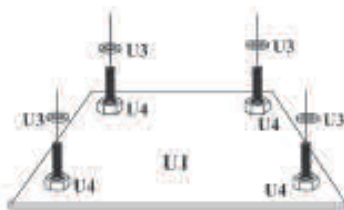


FIGURE 1A

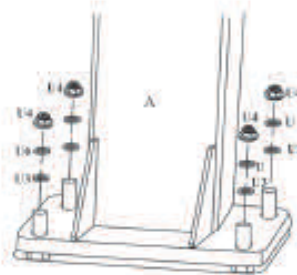


FIGURE 1B

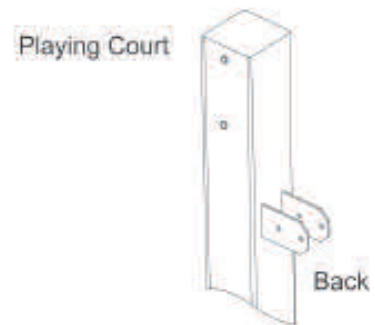


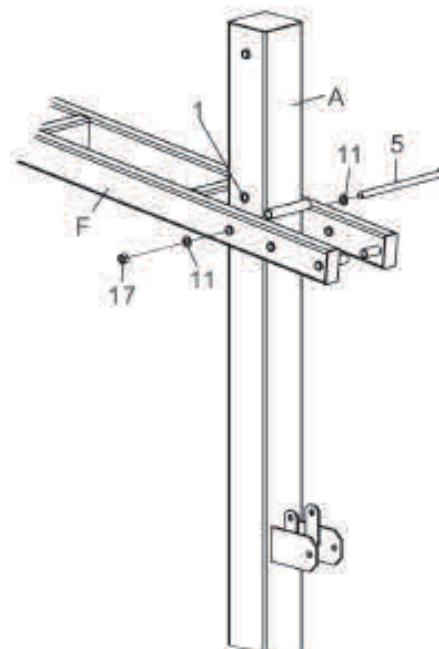
FIGURE 1C

STEP 2

- Slide the Main Extension Arm (F), over the top of the Main Post (A) and attach to the lower pivot tube with a M18x320mm Hex Bolt (#5), two M18 Flat Washers (#11), two Nylon Washers M18 (#1) and a M18 Hex Nut (#17).

Do not over tighten this bolt and nut

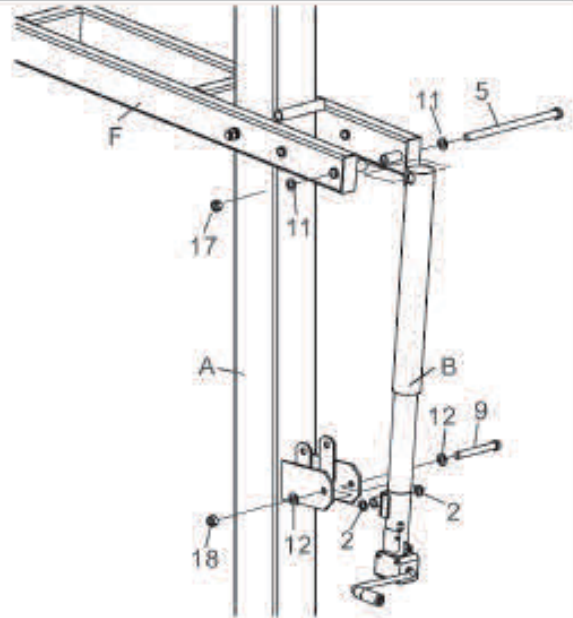
Note: Make sure the Nylon Washers locate between Main Extension Arm (F) and Main Post (A)



STEP 3

- A. Slide the Actuator(B) to the last set of welded tubes on the Main Extension Arm (F), Using a Hex bolt M18X320MM (#5), two M18 Flat Washers(#11) and a Hex Nut M18(#17) at the top. And using a Hex Bolt M16x135mm (#9), two Washers for M16 Bolt (#12), two Nylon washers (#2) and one Hex nut for M16 bolt (#18) on bottom to tighten the Actuator.

Note: Make sure the Nylon washers go between Actuator and Mounting Bracket.



STEP 4

- A. Slide Steel Sleeve (J) thru both tubes welded at the top end of Spring-Assist Cartridge (C). Place the top of Spring-Assist between Main extension (F), align the Steel Sleeve (J) with the second set of welded tubes on the Main Extension Arm (F), place the Plastic rim Height indicator (K) beside the Spring-Assist Cartridge (C). Slide one Washer M16 (#12) over one Hex Bolt M16x320mm (#7), and slide this Bolt all the way thru Main Extension Arm (F), one Nylon washer M16 (#2), Steel Sleeve (J) Rim Height Indicator (K) another Nylon washer (#2), and the other side of Main Extension Arm (F). Secure it with one Flat Washer M16 (#12) and One Hex nut M16 (#18).

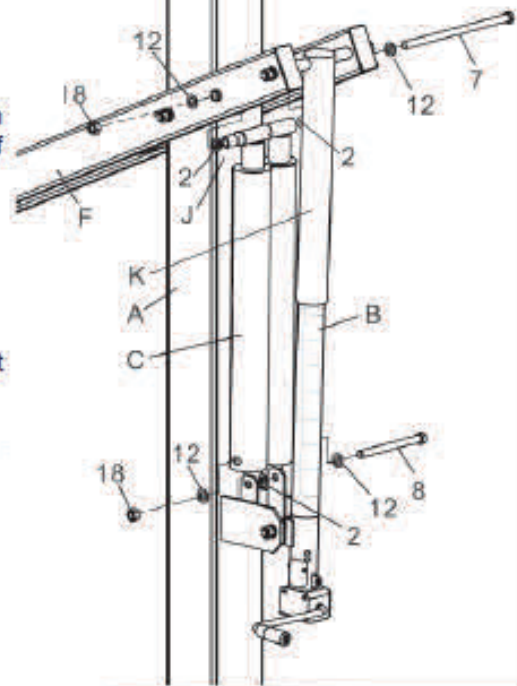
Do not over tighten this bolt because this is the pivot point. Make sure the Plastic Rim Height Indicator (K) hangs freely along side of Spring-Assist Cartridge (C).

Note: Nylon washer locates between Steel sleeves (J) and Main Extension Arm (F).

- B. Attach the bottom of Spring-assist Cartridge (C) to the Main pole Bracket by using a Hex Bolt M16x185mm (#8), two Flat Washers M16 (#12), a Nylon Washer M16 (#2) and a Hex Nut M16 (#18).

Note: Nylon washer goes between Bracket and Cartridge (C).

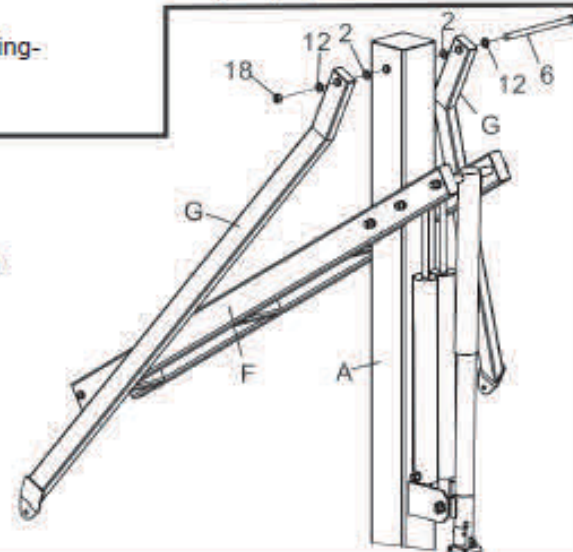
- C. Remove and discard the spreader tube from the top of the Spring-Assist Cartridges (C).



STEP 5

- A. Attach the 2 Upper Extension Arms (G) to Main Post (A) with a Hex Bolt M16x245mm (#6), two Flat Washers M16 (#12), two Nylon Washers (#2) and one Hex Nut M16 (#18).

Do not tighten at this time.



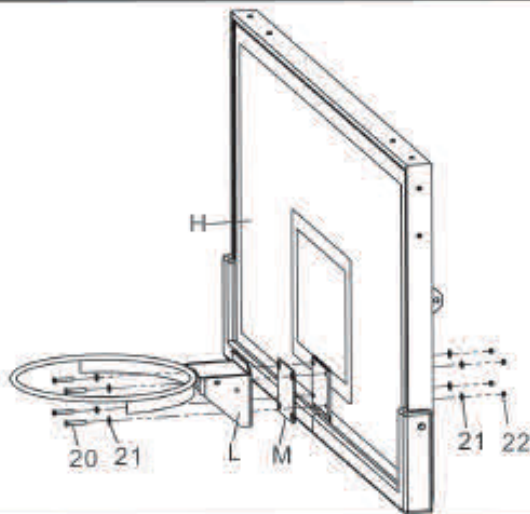
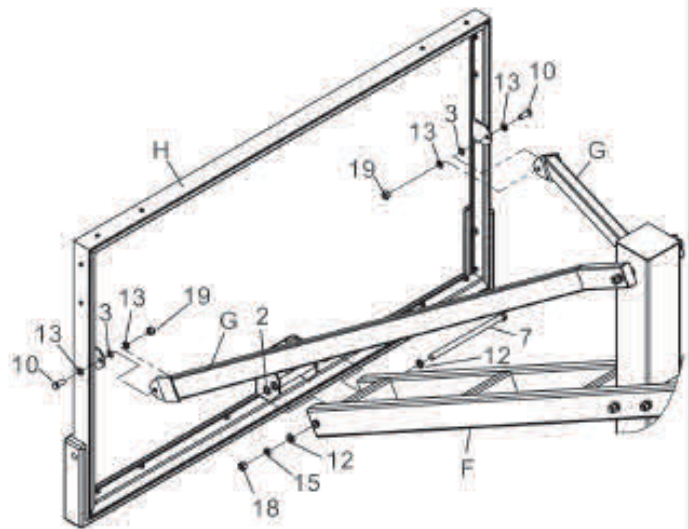
STEP 6

- A. Attach the Backboard to Main Extension Arm (F) by using a Hex Bolt M16x320mm (#7), two M16 Flat Washers (#12), two Nylon Washers (#2) and one Hex Nut M16 (#18)

Note: Nylon Washers go between Main extension arm Bracket (F) and Backboard mounting bracket

- B. Connect Upper Extension Arms (G) to the side of Backboard (H), using two Hex Bolts M12x35mm (#10), four Flat Washers M12 (#13), two Nylon Washers M12 (#3) and two Hex Nuts (#19).

Note: Put Nylon Washers between Backboard Plate and Upper Extension Connecting Plate.



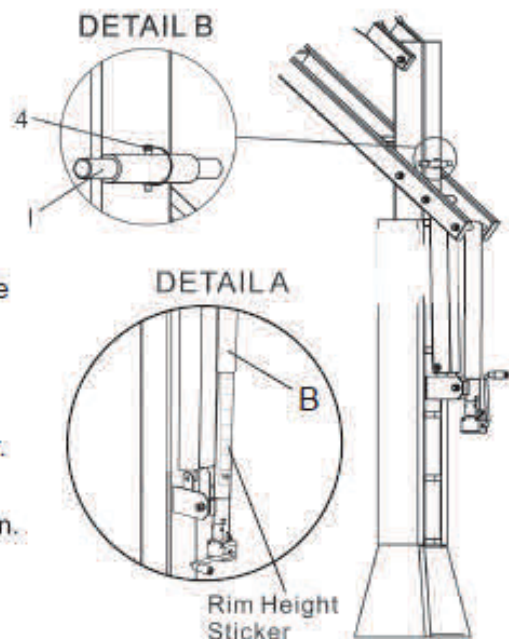
STEP 7

- A. Remove the screws on Rim spring box cover, open the Spring box.
- B. Mount the rim to the Mounting bracket on Backboard(H) using the hardware supplied in rim box.
- C. Re-attach Spring box cover to the Rim with removed screws.

NOTE: Use a level to make sure rim is level side to side before tightening nuts.

STEP 8

- A. After everything is square, make sure all nuts on the system have been tightened.
NOTE: But do not over tighten the Nuts, make sure the unit can be adjusted up and down.
- B. To apply the Rim Height Sticker (in the manual pack), first use a tape measure to crank rim up exactly 10' from the playing surface. Use a pencil to mark on the Actuator (B) where the bottom of the Rim Height Indicator (K) stops. Then crank the rim down to the lowest position. Peel and apply the Rim Height Sticker to the Actuator (B) lining up the pencil mark with the 10' mark on the Rim Height Sticker. See Detail A.
- C. Attach Post Pad and Gusset Pad to Main Post(A) as shown.
- D. Slide Safety Rod (I) thru the tube welded on the backside of Main Post (A), align the holes each other and secure it with one Lock Pin 6mm (#4). See detail B.



NOTE: Trying to lower the rim beyond the height limitation with the Safety Rod (I) in place, will result in damaging the top surface of the main extension arm (F).

INSTALLER NOTES

porter[®]

601 Mercury Drive, Champaign, IL U.S.A., 61820

www.porterathletic.com

(888) 277-7778

SAVE THESE INSTRUCTIONS FOR FUTURE USE