

# **Big Shot Collegiate**

No. 9571



**Porter**®

**Installation, Operation, and Maintenance Manual**

**SAVE THESE INSTRUCTIONS FOR FUTURE USE**

**WARNING: REFER TO THESE SAFE USAGE AND OPERATION INSTRUCTIONS BEFORE USING THIS EQUIPMENT.**



## **SAFETY INSTRUCTIONS**

**FAILURE TO FOLLOW THESE INSTRUCTIONS MAY RESULT IN SERIOUS INJURIES AND PROPERTY DAMAGE, AND WILL VOID WARRANTY. READ AND FOLLOW ALL SAFETY INSTRUCTIONS AND WARNINGS IN THIS BOOKLET.**

*The owner of this equipment is responsible to ensure that all players know and follow these rules for safe usage and operation of this system.*

**To ensure safety, do not attempt to assemble this system without following the instructions carefully. Proper and complete assembly, use and supervision is essential for proper operation, and to reduce the risk of accident or injury. A high probability of serious injury exists if this system is not installed, maintained, and operated properly.**

- If necessary to use a ladder during assembly, use extreme caution.
- Three adults are required for the safe assembly/installation of this system.
- Before digging, contact your local utility companies to locate buried electrical, gas and water lines. Also, check for overhead utility lines. Ensure there are no overhead utility lines within a 20 ft. (6m) radius of pole location.
- Climate, corrosion or misuse could result in system failure.
- If technical assistance is required, contact Porter at the address and phone number listed on this sheet.
- Minimum operational height is 7'-6" (2.29m) to the bottom of the backboard.

*Most injuries are caused by misuse and/or not following instructions. Use caution when using this system.*



## **WARNING**

**FAILURE TO FOLLOW THESE WARNINGS MAY RESULT IN SERIOUS INJURIES AND /OR PROPERTY DAMAGE**

*The owner of this equipment is responsible to ensure that all players know and follow these rules for safe usage and operation of this system.*

- DO NOT HANG on the rim or any part of the system, including backboard, support braces or net.
- During play, especially when performing dunk-type activities, keep player's face away from the backboard, rim, and net. Serious injuries could occur if teeth/face come in contact with backboard, rim, or net. All players must wear a mouth guard when performing dunk-type activities.
- Do not slide, climb or play on pole.
- When adjusting height of rim, keep hands and fingers away from moving parts.
- Do not allow children to adjust system.
- When not in use, always keep unit at the 10' rim height and store the crank handle in a secure location to reduce the possibility of misuse by unauthorized or unsupervised individuals.
- During play, do not wear jewelry (rings, watches, necklaces, etc.). These objects may entangle in net.
- Keep organic material away from base of pole. Grass, litter, etc. could cause corrosion and/or deterioration.
- Lubricate Height Adjustment Crank and all hinge points per the manufacturer's recommendations in the operating instructions.
- Keep top end of pole and top end of height adjustment crank, covered at all times.
- Check pole system for signs of corrosion (rust, pitting, chipping, etc.) and repaint with exterior enamel paint. If rust has penetrated through the steel anywhere, replace pole immediately.
- Check system before each use for loose hardware, excessive wear, and signs of corrosion, and repair before use.
- Check system before each use for instability.

## **WARNING**

READ ALL WARNINGS THOROUGHLY BEFORE USING THIS EQUIPMENT.

FAILURE TO COMPLY WITH THE FOLLOWING INSTRUCTIONS AND WARNINGS MAY RESULT IN SERIOUS INJURIES AND/OR PROPERTY DAMAGE.

- Use extreme caution when performing dunk-type activities on this unit.
- During play, do not wear jewelry (rings, watches, necklaces, etc.) as these objects may entangle in net, causing serious injuries.
- During play, use caution to keep player's head and face away from the backboard, rim and net. The use of a mouth guard is recommended to reduce the possibility of player's teeth becoming entrapped in the net.
- Do not climb, slide or play on this unit.
- Keep organic material away from pole base. Grass, litter, etc. could cause corrosion and/or deterioration, resulting in structural failure.
- Check pole and entire support system at least twice a year. Keep pole top covered at all times. Check all components for excessive wear or signs of fatigue, and tighten all nuts and bolts. Replace damaged or fatigued structural components and missing hardware immediately to prevent structural failure and possible injuries.
- Lubricate internal crank screw mechanism and all hinge points per maintenance instructions below.
- Always store unit at the 10' goal height and remove crank handle to reduce the possibility of misuse by unauthorized individuals.

Failure to follow these warnings and maintenance procedures may result in serious injury and/or property damage. The owner of this equipment must ensure that all players know and follow these rules for safe operation of the unit.

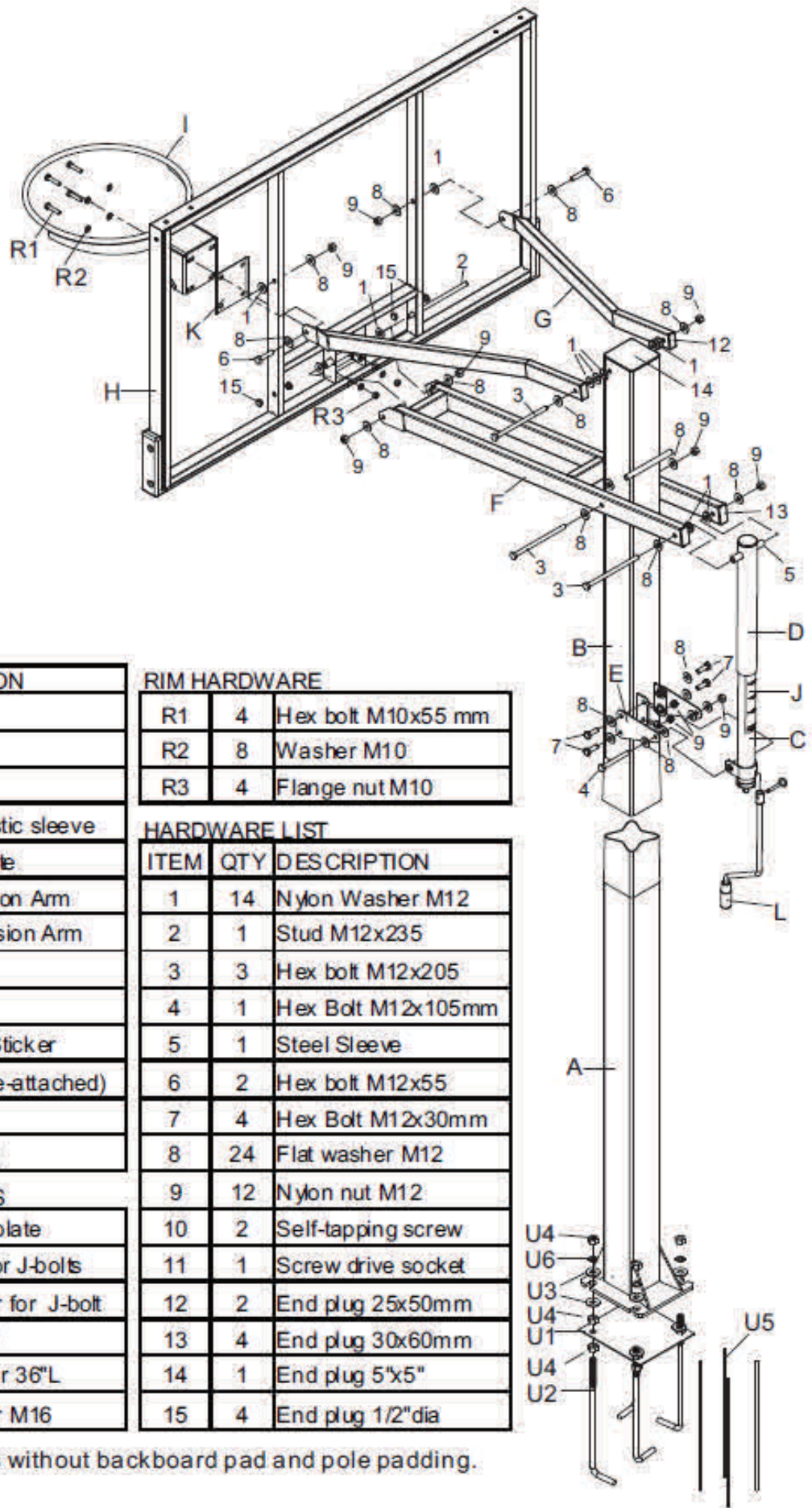
**NOTE** – For aggressive play, use of the pole pad and backboard pad is highly recommended to minimize injuries to players.

THE OWNER OF THIS EQUIPMENT IS RESPONSIBLE TO ENSURE THAT ALL INDIVIDUALS FOLLOW THESE SAFETY AND OPERATING INSTRUCTIONS TO AVOID INJURIES OR PROPERTY DAMAGE. PROPER USE AND SUPERVISION OF THIS EQUIPMENT IS ESSENTIAL TO HELP REDUCE THE POSSIBILITY OF ACCIDENTS OR INJURIES.

### **MANDATORY MAINTENANCE**

- Inspect unit before each use for loose or missing hardware, damaged components, etc. and repair or replace before using the unit.
- Check concrete footings and anchor bolts for tightness, cracking or structural damage and make any necessary repairs or replacements immediately.
- At least semi-annually, spray all hinge points, anchor bolts and height adjustment crank components with a high quality rust and corrosion inhibitor-type aerosol lubricant.
- Clean glass backboard ONLY with mild soap and water, or an equivalent glass cleaner.

GC55-LG  
GC55-MD



**PARTS LIST**

ITEM	QTY	DESCRIPTION
A	1	Bottom Pole
B	1	Top Pole
C	1	Actuator
D	1	Actuator plastic sleeve
E	2	Mounting plate
F	1	Main Extension Arm
G	2	Upper Extension Arm
H	1	Backboard
I	1	Flex rim
J	1	Rim Height Sticker
K	1	Rim Pad (Pre-attached)
L	1	Crank
M	1	Pole padding

**RIM HARDWARE**

R1	4	Hex bolt M10x55 mm
R2	8	Washer M10
R3	4	Flange nut M10

**HARDWARE LIST**

ITEM	QTY	DESCRIPTION
1	14	Nylon Washer M12
2	1	Stud M12x235
3	3	Hex bolt M12x205
4	1	Hex Bolt M12x105mm
5	1	Steel Sleeve
6	2	Hex bolt M12x55
7	4	Hex Bolt M12x30mm
8	24	Flat washer M12
9	12	Nylon nut M12
10	2	Self-tapping screw
11	1	Screw drive socket
12	2	End plug 25x50mm
13	4	End plug 30x60mm
14	1	End plug 5"x5"
15	4	End plug 1/2" dia

**UNDERGROUND PARTS**

U1	1	Anchor Template
U2	4	16mm Anchor J-bolts
U3	8	Thick washer for J-bolt
U4	12	Hex nut M16
U5	4	Anchor Rebar 36"L
U6	4	Lock Washer M16

Note: GC55-MD comes without backboard pad and pole padding.

## INSTALLATION (Day 1 to Day 4)

Prior to anchor system and goal assembly, call utility services for location of underground utility lines before you dig.

This assembly needs 5 days totally.

**Day 1:** Anchor system installation.

**Day 2-4:** Allow concrete to cure.

**Day 5:** Complete basketball system installation.

**THREE PEOPLE ARE NEEDED TO ASSEMBLE THIS UNIT**

### Tools and materials required for assembly

1. Hammer or Mallet
2. Two Adjustable Wrenches
3. 9/16" Wrench
4. 3/4" Wrench
5. 11/16" wrench
6. 1" Wrench
7. Shovel
8. Concrete 9 Bags (80lbs/bag).
9. Electric Drill
10. Carpenter's Level
11. A minimum of two Ladders
12. Water Supply
13. Tape measure

### Day 1

#### Anchor system installation

1. Locate your system close to or on the court. Dig a hole as shown in figure 1. Bell out the bottom.

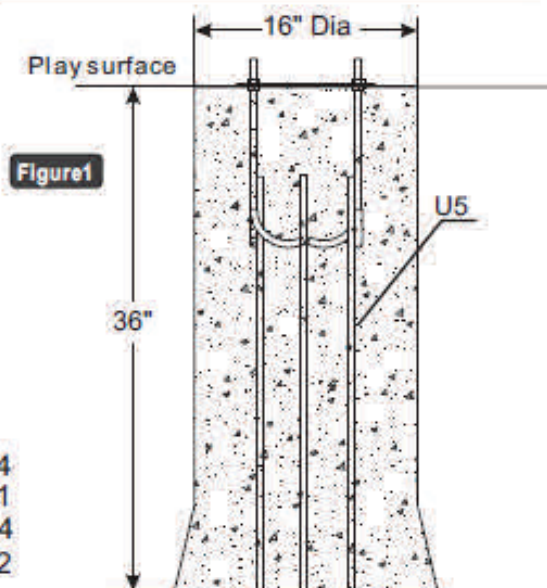
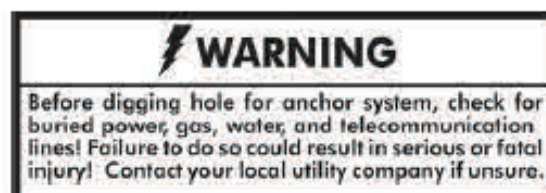
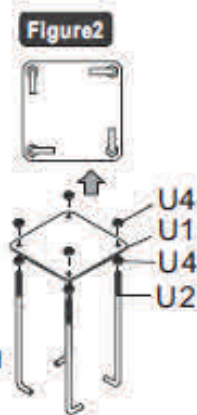
Assemble anchor system as shown in figure 2: Thread nut M16 (U4) all the way to bottom of threads on J-bolt (U2) insert threads of J-bolt (U2) through hole on anchor plate (U1) and secure with nut (U4).

**Note:** Each leg of anchor bolts should face the anchor bolt to the right. See Figure 2.

2. Mix and pour concrete into hole. follow instructions on concrete bag. Stop about 8" below playing surface.
3. Insert 4 Rebars (U5) into concrete 8" apart making a square in center on hole.
4. Continue to pour concrete into hole. Use a concrete form or wooden form for top 4", until concrete flush with playing surface.

5. Push anchor system into concrete and agitate to eliminate voids in concrete, level and square anchor plate (U1) to playing surface. Clean off any concrete on anchor plate and exposed threads.

You are finished with anchor system.  
Allow concrete cure a minimum of 72hrs.



**Warning**  
Never continue to assemble your system without following cementing instructions. Failure to do so may cause serious personal injury or property damage.

# INSTALLATION (Day5)

A hammer or mallet may be needed during assembly.

*Note: do not over tight all arm nuts and bolts. Failure to do so may cause tube damage and make adjustment of system difficult.*

1. Align the Top Pole (#2) with the Bottom Pole (#2) and slide them together. See Figure 3&4.

**Important:** Make sure the pole looks like Figure 4 before moving to next step. If the pole are installed into place without proper alignment, it is almost impossible to take the two pieces apart for relocation.

2. Stand the pole up on a block of wood, hit the bottom pole base plate on wood block until the bottom of Top Pole reaches (or get very close to) the line mark on the back of the Bottom pole. Hit it 9 times at least.
3. Drive a Self-tapping screw all the way into the hole on the bottom of Top pole with supplied socket in hardware pack. This screw is just for in case. The connection between Top Pole and Bottom pole are safe enough without using the screw.

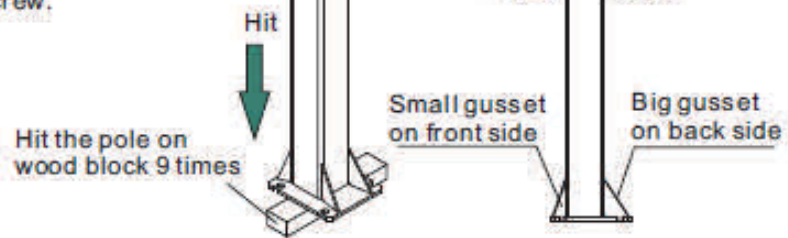
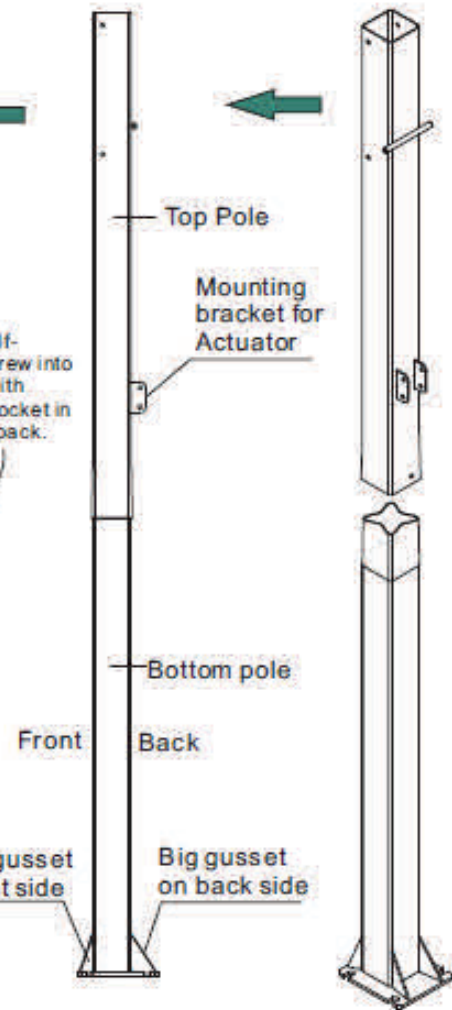


Figure 4

Figure 3



4. Place the Pole on the Anchor system. Slide one Thick washer M16 (U3) over each J-bolt (U2). Lift the Pole (A) onto Anchor system, secure with one thick washer (U3), one Lock washer M16 (U6) and one Hex nut (U4) for each J-bolt. See Figure 6.

If the Main Post (A) is not exactly vertical, adjust the 16mm J-Bolt Hex Nuts (U4) located under the Post base (A). Tighten all of the Hex Nuts (U4) Above Post base when Main Post (A) is vertical.

**NOTE:** Face the Main Post (A&B) with Actuator Bracket facing away from playing court (as shown in FIGURE7).

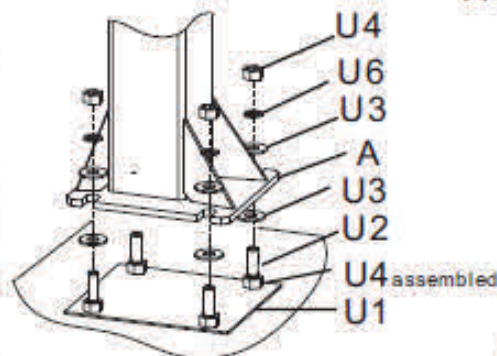


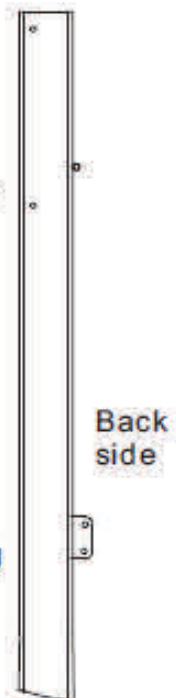
Figure 6

Front side

Back side

Playing Court

Figure 7



## INSTALLATION (Day5)

### 5. Attach Actuator mounting plate (E) to Top Pole (B).

Secure Actuator mounting plate to the bracket welded on backside of Pole (B) with 4 Hex bolts M12x30 (#7), 8 Flat washers M12 (#8), 4 Lock nuts M12 (#9). See Figure 8. Tighten all four nuts and bolts.

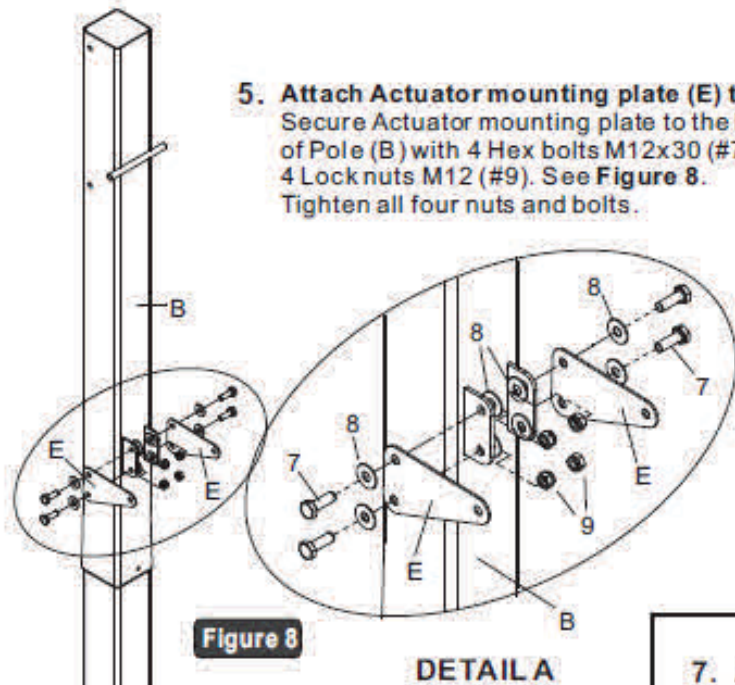


Figure 8

DETAIL A

### 7. Attach Upper Extension arm (G) to Pole (B).

using one Hex bolt M12x205 (#3), two Flat washers M12 (#8), 6 Nylon washers M12 (#1), and one Lock nut M12 (#9). See Figure 10.

Note: The plastic washer should be placed between Upper extension arm (G) and Top Pole (B).

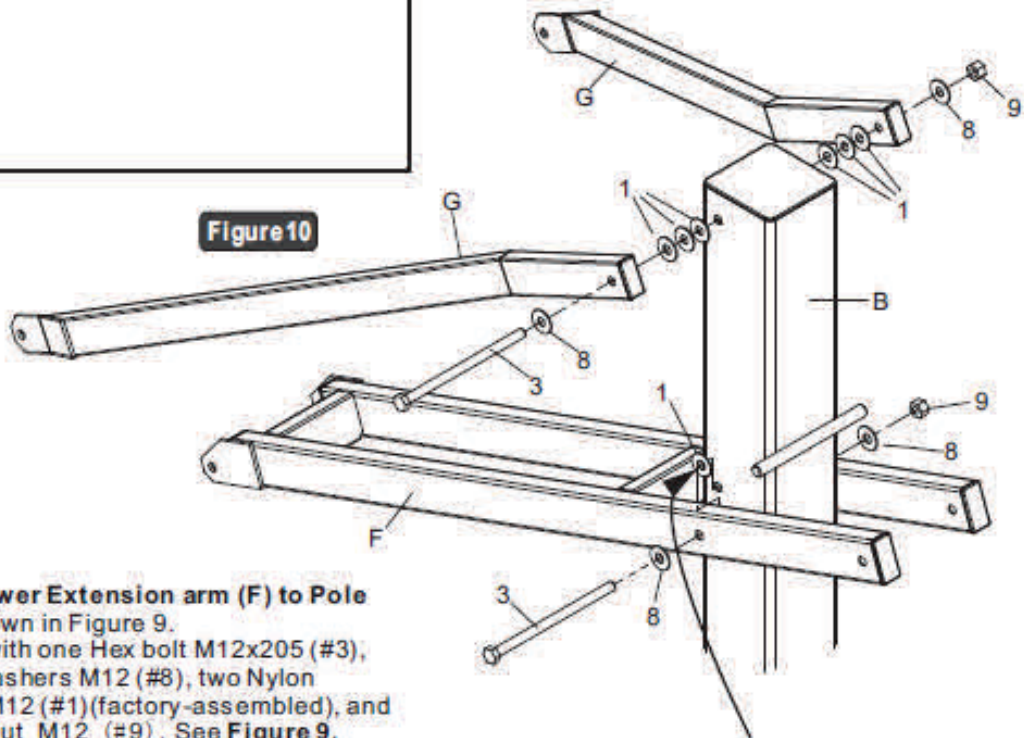


Figure 10

### 6. Attach Lower Extension arm (F) to Pole (B), as shown in Figure 9.

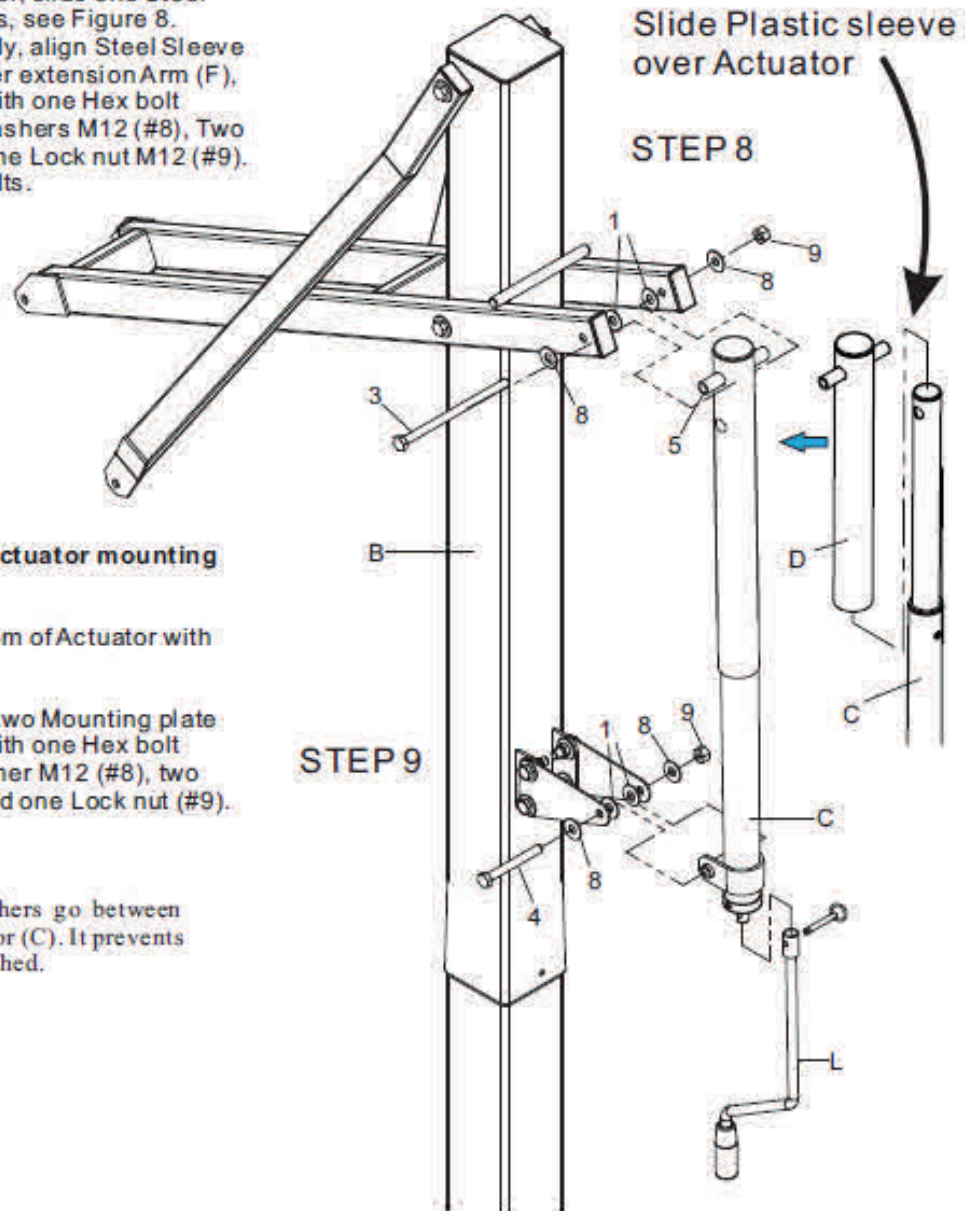
Secure it with one Hex bolt M12x205 (#3), two Flat washers M12 (#8), two Nylon Washers M12 (#1) (factory-assembled), and one Lock nut M12 (#9). See Figure 9.

This washer has been pre-assembled in the factory.

**8. Attach Actuator (C) to Lower extension Arm (F).**

Slide Actuator plastic sleeve (D) over top of Actuator (C), align the hole in the Plastic sleeve with the hole in the Actuator, slide one Steel Sleeve (#5) thru both parts, see Figure 8. Hold the Actuator assembly, align Steel Sleeve with the Rear hole of Lower extension Arm (F), Attached them together with one Hex bolt M12x205 (#3), two Flat washers M12 (#8), Two Nylon washers (#1) and one Lock nut M12 (#9). Do not over tighten the bolts.

**Figure 11**



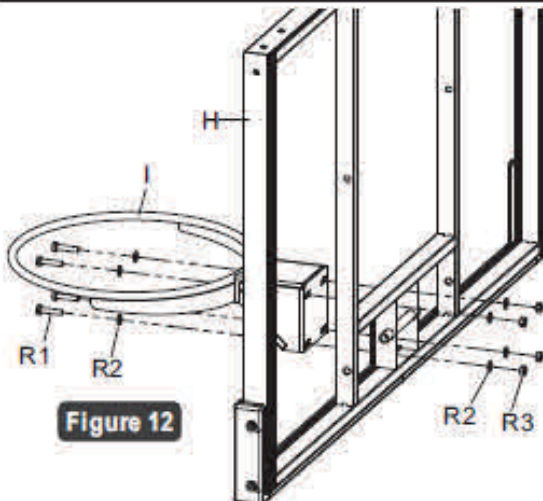
**9. Attached Actuator (C) to Actuator mounting plate (E).** See Figure 11

Attach Crank (L) to the bottom of Actuator with supplied Lock pin.

Crank Actuator in between two Mounting plate (E), secure them together with one Hex bolt M12x105 (#4), two Flat washer M12 (#8), two Nylon washers M12 (#1), and one Lock nut (#9).

Do not over tighten this bolt.

Note: make sure Plastic washers go between Mounting plate (E) and Actuator (C). It prevents painted parts from being scratched.



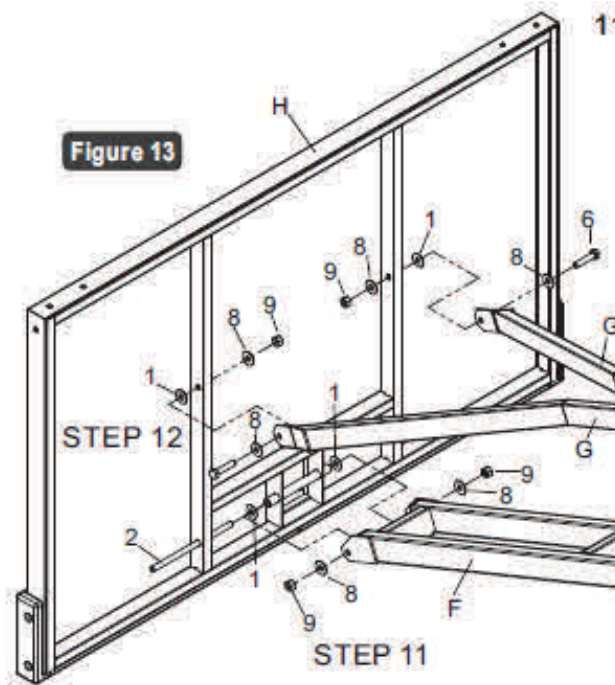
**10. Attach Goal (I) to Backboard (H).**

Remove the Rim box cover, put Goal against Rim pad (Pre-installed), secure it with 4 Hex bolts M10x45 (R1), 8 Flat washers M10 (R2), 4 Flange nuts M10 (R3) See Figure 12.

Tighten all four bolts and nuts.

Put Rim box cover back and secure it with removed screws.





- 11. Attach Backboard (H) to Lower Extension arm (F).**  
Turn crank to lower support frame (F) until against safety stop rod welded on the back of Top Pole (B).

With 3 capable adults, raise the Backboard and rim assembly up and connect Lower Extension arm (F) to the Backboard Bracket using one Stud M12x235 (#2), 2 washers M12 (#8), 2 Plastic washers M12 (#1), and 2 Lock nuts M12 (#9).

Tighten this bolt snugly. See Figure 13.

Note:

1. Slide the Stud thru from outside of Vertical tubes. After the stud is installed, plug end caps into the holes on the vertical frame, to keep bees from holes. 4pcs plugs can be found in the hardware pack or manual pack.
2. The plastic washer goes between backboard bracket (H) and Lower extension arm (F).

- 12. Attach Backboard (H) to Upper Extension arm (G).**

Connect Upper board arm (G) to the Backboard vertical frame (H) using 2 Hex bolts M12x55 (#6), 4 Flat washers M12 (#8), 2 Plastic washers M12 (#1), and two Lock nuts M12 (#9).

Tighten the two bolts and nuts snugly.

See Figure 13.

Note: The plastic washer goes between backboard vertical frame (H) and Upper extension arm (G).

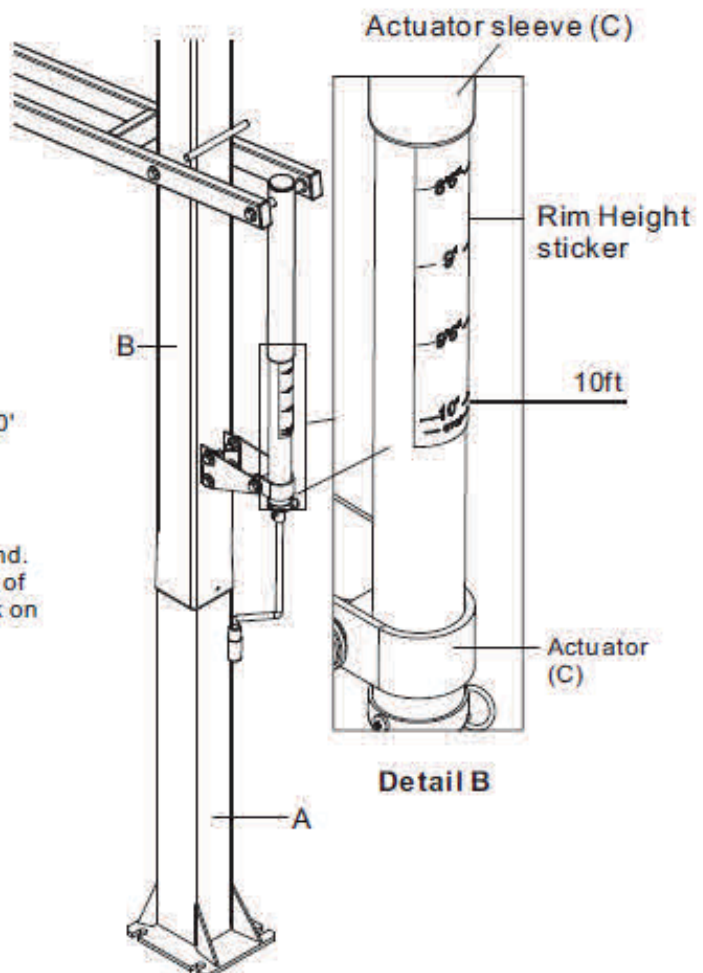
- 13. Apply Rim Height Sticker**

Use a tape measure to crank rim up to exactly 10' from playing surface. Make a line mark on the Actuator (C) against bottom edge of Actuator Sleeve (D).

Crank the rim all the way down to the extreme end. Peel and apply Rim Height sticker (J) to outside of Actuator (C) lining up the mark with the 10' mark on the Rim Height Sticker.

See Detail B.

Apply Pole pad if available.



## **INSTALLER NOTES**

---

**porter**<sup>®</sup>

601 Mercury Drive, Champaign, IL U.S.A., 61820

[www.porterathletic.com](http://www.porterathletic.com)

(888) 277-7778

**SAVE THESE INSTRUCTIONS FOR FUTURE USE**