

VOLLEYBALL NET HEIGHTS						
SCHOLASTIC LEVELS	GIRLS / WOMEN			BOYS / MEN		
	A	B	C	A	B	C
AGES 12 YEARS AND UNDER	7'-0"	7'-0 ³ / ₄ "	7'-1 ¹ / ₈ "	7'-0"	7'-0 ³ / ₄ "	7'-1 ¹ / ₈ "
GRADES 7 THRU 9 (MIDDLE SCHOOL)	7'-4 ¹ / ₈ "	7'-4 ⁷ / ₈ "	7'-5 ¹ / ₄ "	7'-4 ¹ / ₈ "	7'-4 ⁷ / ₈ "	7'-5 ¹ / ₄ "
GRADES 7 THRU 9 (Jr. HIGH SCHOOL)	7'-4 ¹ / ₈ "	7'-4 ⁷ / ₈ "	7'-5 ¹ / ₄ "	7'-11 ⁵ / ₈ "	8'-0 ³ / ₈ "	8'-0 ³ / ₄ "
GRADES 9 THRU COLLEGIATE	7'-4 ¹ / ₈ "	7'-4 ⁷ / ₈ "	7'-5 ¹ / ₄ "	7'-11 ⁵ / ₈ "	8'-0 ³ / ₈ "	8'-0 ³ / ₄ "

IMPORTANT NOTE - Check net height settings at both court lines to ensure that net is level before applying net height labels on inside upright assembly.

CAUTION - Net height dimensions given allow for maximum allowable net sag. Overtightening of the net could cause possible equipment damage or failure, and void all warranties.

SAFETY INSTRUCTIONS

- Read all instructions before use to avoid injury.
- Improper use of product can result in serious injury.
- Read all product safety labels.
- Keep this instruction manual for future reference.



WARNING

- Serious injuries, including permanent paralysis, can occur in volleyball. Such can be caused by falls on the head, neck and other parts of the body, or by running into unpadded volleyball standards. Approved upright padding is mandatory.
- While it cannot be eliminated, the risk of injuries can be greatly reduced by following proper safety guidelines and providing proper maintenance and safety inspections.



CAUTION

- Uprights are equipped with a spring counterbalance mechanism. Release the Pressure-Lock Assembly ONLY WHEN UPRIGHT IS IN THE VERTICAL POSITION.
- Cable tension must be released before adjusting net height. Failure to do so may cause damage to the equipment, or cause personal injury.
- Under no circumstances should volleyball standards be stored leaning against a wall or other rigid objects.
- Lay volleyball standards down unless they can be securely fastened to a stable object or properly positioned in a storage rack specifically designed for volleyball standards.

NOTICE

- Inspect this equipment for wear, loose fittings, damage and proper stability before each use. Replace defective or worn parts immediately. If in doubt, do not use this equipment until repaired. Check pressure-lock assembly for wear and to ensure it is functioning properly.
- Lubricate threaded studs on pressure-lock assembly periodically (at least twice a year) to minimize wear and to ensure proper operation.
- Do not over tighten the volleyball net, as damage to uprights may result and void all written or implied warranties.



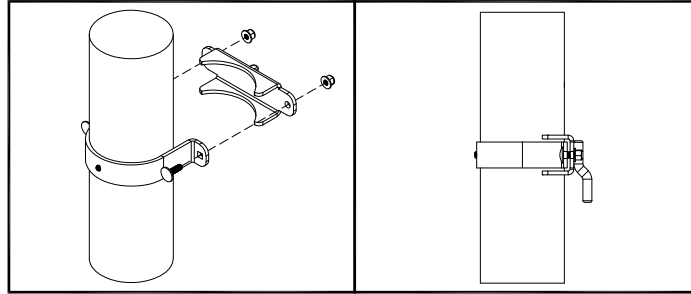
WARNING: Cancer and Reproductive Harm –
For more information go to www.p65warnings.ca.gov



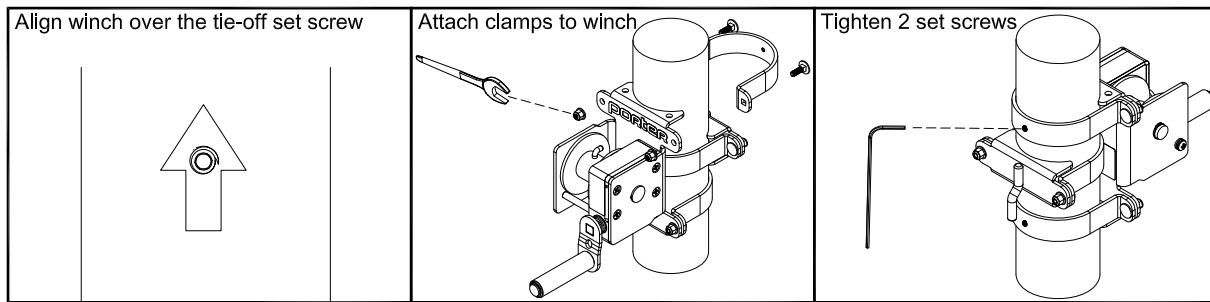
www.porterathletic.com.com
800-637-3090

No. 1994 POWR-LINE VOLLEYBALL CENTER STANDARD FOR 3" SLEEVE ASSEMBLY and INSTALLATION INSTRUCTIONS

1. Unpack all parts and check against parts list to ensure that all have been included.
2. Attach the net tie-off onto outside upright assembly with net cable hook facing downward as shown. Locate top of net tie-off about 49" from bottom of upright, in line with pulley sheave on inside upright assembly. Tighten bolts and set screws securely.

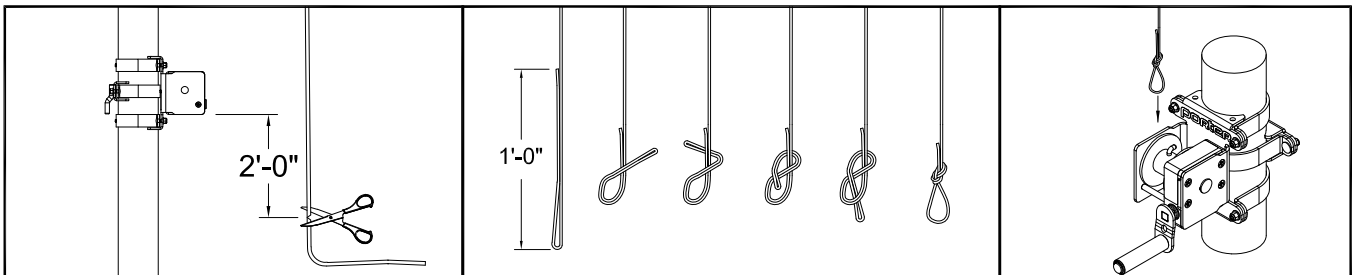


3. Attach winch using instructions provided in the winch box. Winch will attach over top of the tie-off assembly.

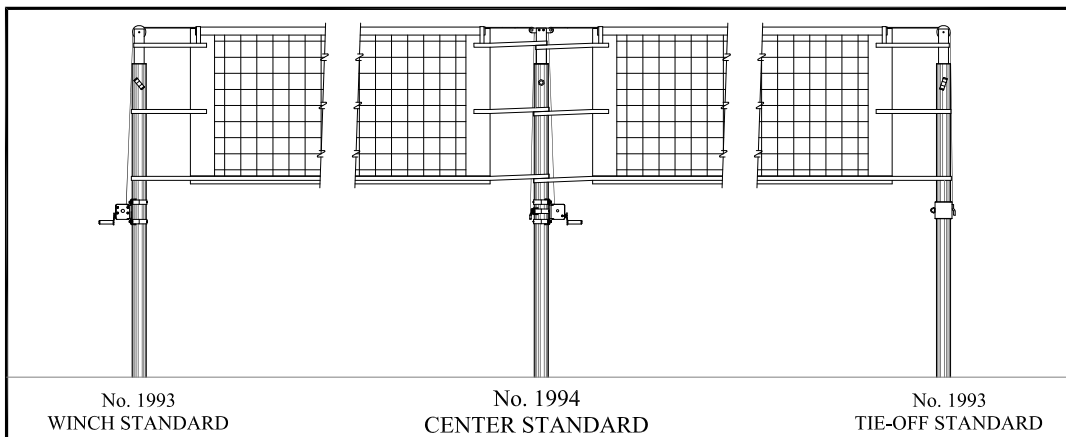


4. Place assembled standards in floor sleeves. Rotate standard until winch and tie-off are oriented as shown in the detail on Page 1.

5. Attach the net using instructions provided in the net box



6. Adjust net to desired height by pulling out spring-loaded plunger on outside upright assembly. Slide inside upright assembly up or down to desired net height, then release spring-loaded plunger, making sure plunger engages into the pre-drilled hole on inside upright assembly. See net height chart on page 1. Net height is measured at center of court. Note that a maximum of 3/4" net sag is allowed - net height can be 3/4" higher at court lines than at center of court. After proper net height is obtained, place appropriate height label onto inside upright assembly. Repeat above for all remaining net height settings.






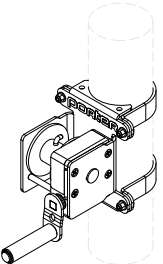
www.porterathletic.com.com
800-637-3090

No. 1994 POWR-LINE VOLLEYBALL CENTER STANDARD FOR 3" SLEEVE REPLACEMENT PARTS

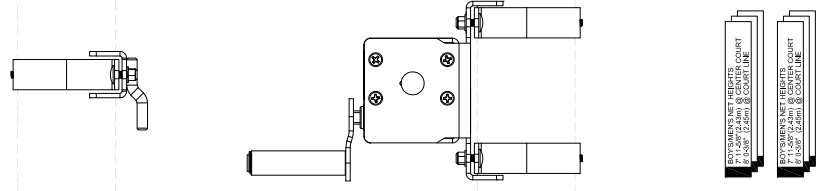
PART NUMBER	DESCRIPTION
UPRT00310001	POWR-LINE POLE UPRIGHT ASSEMBLY; 3" CENTER STANDARD



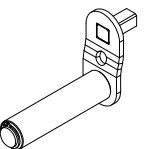
PART NUMBER	DESCRIPTION
WINH00113	POWR-SELECT WINCH W/ CRANK



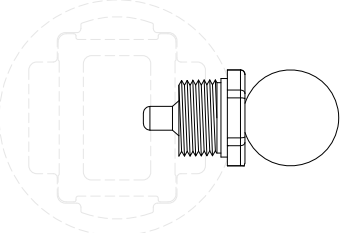
PART NUMBER	DESCRIPTION
FITG00094201	CENTER STANDARD TIE OFF & CLAMP, WINCH W/ CRANK, AND HEIGHT STICKERS



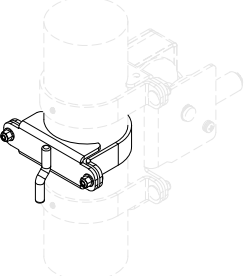
PART NUMBER	DESCRIPTION
WINH00114	WINCH CRANK HANDLE




PART NUMBER	DESCRIPTION
REPL00016	CENTER STANDARD PRESSURE LOCK



PART NUMBER	DESCRIPTION
REPL00017	CENTER STANDARD TIE OFF & CLAMP



PART NUMBER	DESCRIPTION
REPL00014	HEIGHT STICKER REPLACEMENT KIT



QTY 2ea
HEIGHT LABEL - 7' 11-5/8"
HEIGHT LABEL - 7' 4-1/8"
HEIGHT LABEL - 7'-0"

PART NUMBER	DESCRIPTION
REPL00015	CENTER PULLEY ASSEMBLY KIT

