

INSTALLATION INSTRUCTIONS

RECREATIONAL-TYPE BACKBOARD PADDING

No. 00324-072 – For Wood Backboards

No. 00324-672 – For Acrylic, Steel Backboards

TOOLS REQUIRED:

- BATTERY-OPERATED PORTABLE DRILL WITH TORQUE (CLUTCH) ADJUSTMENT
- 5/16" SOCKET (1/4" DRIVE)

PARTS LIST			
Item No.	00324-072 Quantity	00324-672 Quantity	Description
1	2	2	Urethane Molded-Edge Guard Section
2	8		#12 x 1-1/2" Lg. Sheet Metal Screw
3		8	#12-24 x 1" Lg. Self-Drilling, Self-Tapping Screw
4		8	1/2" Lg. Plastic Thread Protectors

1. The enclosed Recreational Type edge guards interlock together to form bottom and side protection for one basketball backboard with an overall width of 72". Check the carton for content. It should contain the items shown in the Parts List above.

2. Place one of the edge guards in position on the backboard (shift vertical leg of edge guard up or down to square off corner) and use masking tape to hold it in position. Next, connect the interlocking end of the edge guard for the opposite end in place, and tape in position with masking tape.

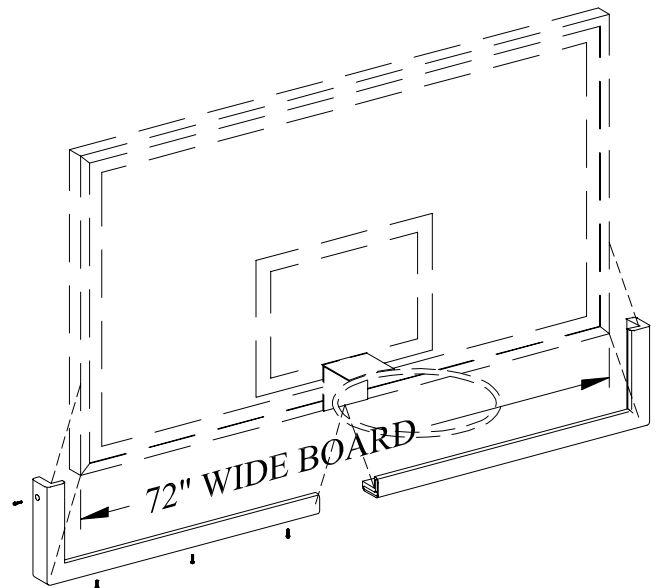
3. Check the fit of the edge guards and reposition slightly if necessary. It may be necessary to trim away some of the material around the goal or around backboard supports.

NOTE – No. 00324-672 – CHECK THE FASTENER LOCATIONS TO MAKE CERTAIN FASTENERS WILL NOT CONTACT AND DAMAGE THE ACRYLIC OR GLASS. See Detail "A".

4. Using only a portable drill with an adjustable torque control, fasten the edge guards in place with the provided hardware. Use sheet metal screws for wood backboards – See Detail "C". Use self-drilling, self-tapping screws for acrylic and steel backboards – See Detail "A". **NOTE – SET THE TORQUE ADJUSTMENT AT THE LOWEST SETTING AND, IF NECESSARY, INCREASE THE TORQUE ONE STEP AT A TIME.** Use a long 5/16" hex socket, or a socket with an extension, to run the screw into the backboard and secure the edge guards in place. Install one of the screws at each mounting location along the sides and bottom. Note – Do not overtighten the screws and strip out the threads. See Detail "A".

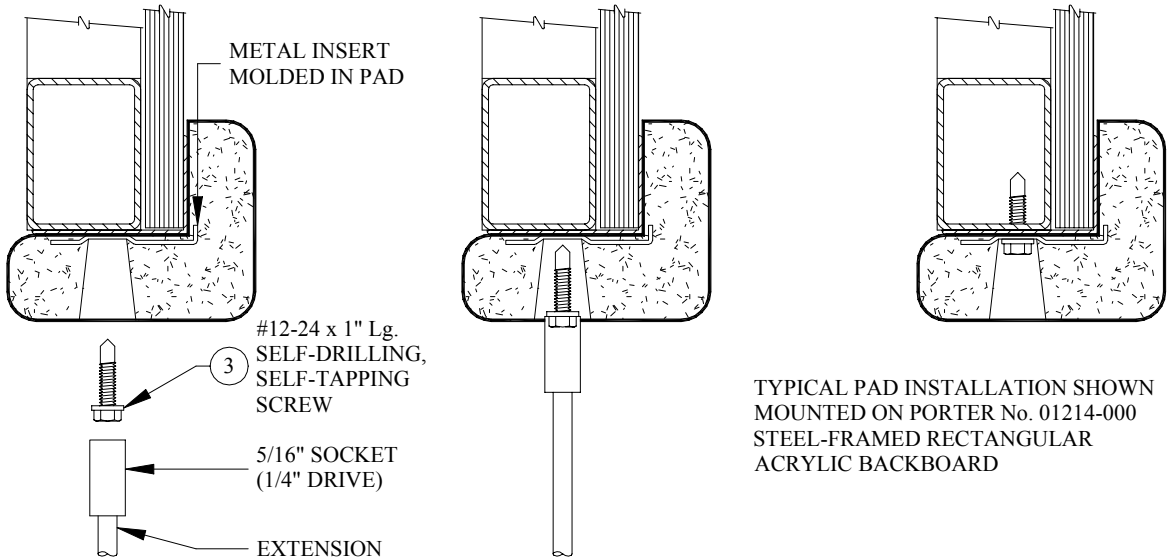
5. No. 00324-672 – If the ends of the self-drilling, self-tapping screws are exposed after installation, cover them with the protective plastic thread protectors. Press the protector all the way down onto the screw until it bottoms out. See Detail "B".

6. Clean floor area of all drill shavings, etc. to eliminate the possibility of player injuries or floor damage.

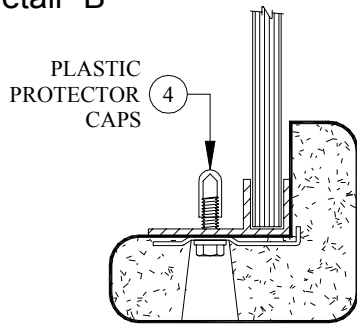


SAVE THESE INSTRUCTIONS FOR FUTURE USE

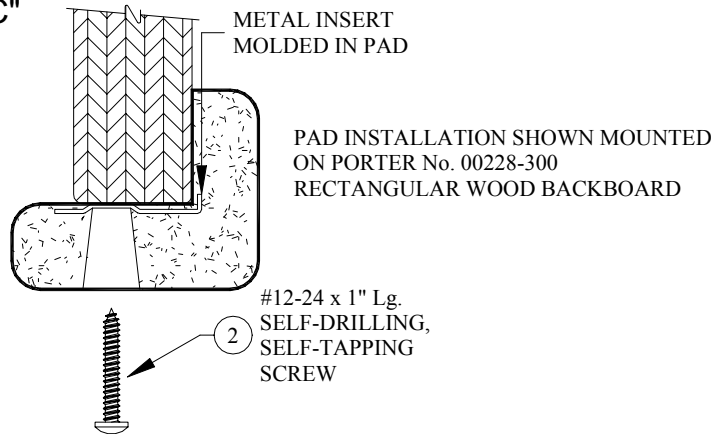
Detail "A"



Detail "B"



Detail "C"



⚠ WARNING: This product can expose you to Urethane, which is known to the State of California to cause cancer and birth defects or other reproductive harm. For more information go to www.p65warnings.ca.gov.

porter

Porter Athletic Equipment Company

2500 South 25th Avenue, Broadview, IL U.S.A., 60155

Toll Free: (800) 947-6783 • Phone: (708) 338-2000 • Fax: (708) 338-2060

www.porter-ath.com

SAVE THESE INSTRUCTIONS FOR FUTURE USE