

960570XX - SUPERSAFE STAGE PADS

Porter

STAGE PAD SPECIFICATION SHEET

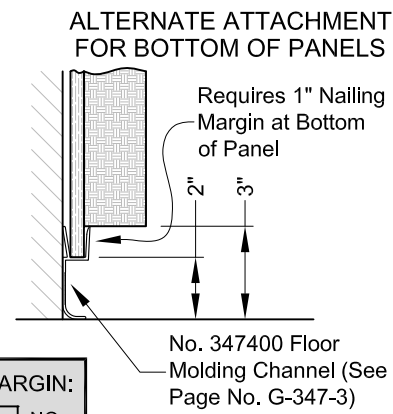
G-960570

8/11/2017

COLOR SELECTION	
<input type="checkbox"/> 01 - Light Blue	<input type="checkbox"/> 09 - Gray
<input type="checkbox"/> 02 - Royal Blue	<input type="checkbox"/> 10 - Maroon
<input type="checkbox"/> 03 - Red	<input type="checkbox"/> 11 - Purple
<input type="checkbox"/> 04 - White	<input type="checkbox"/> 12 - Black
<input type="checkbox"/> 05 - Orange	<input type="checkbox"/> 13 - Navy Blue
<input type="checkbox"/> 06 - Yellow Gold	<input type="checkbox"/> 14 - Kelly Green
<input type="checkbox"/> 08 - Tan	<input type="checkbox"/> 15 - Dark Green

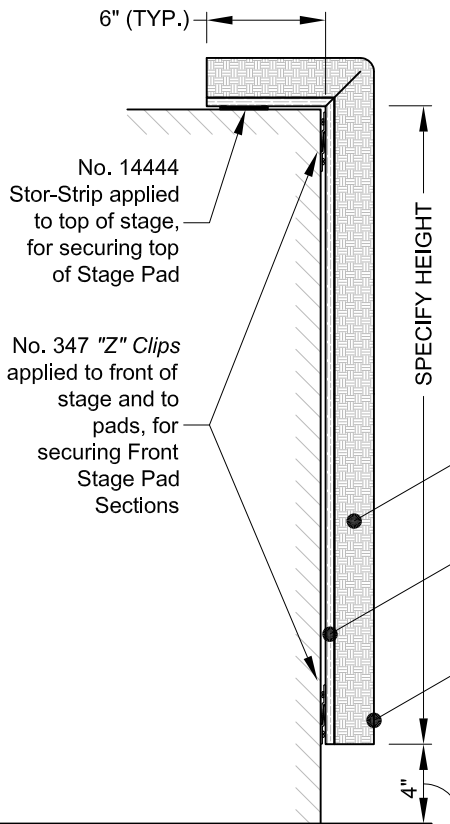
WARNING
 This pad meets the level of protection per ASTM Standard Specification F2440. This pad is provided to reduce the possibility of minor injuries. However, any activity involving motion and severe impacts may result in serious injuries, including but not limited to paralysis or death. No wall pad can guarantee the prevention of serious head or neck injuries that are due to a violent impact while participating in various sports activities.

MAXIMUM PAD SIZES
 37 1/4" Height x 70" Width
 OR
 59 1/4" Height x 48" Width

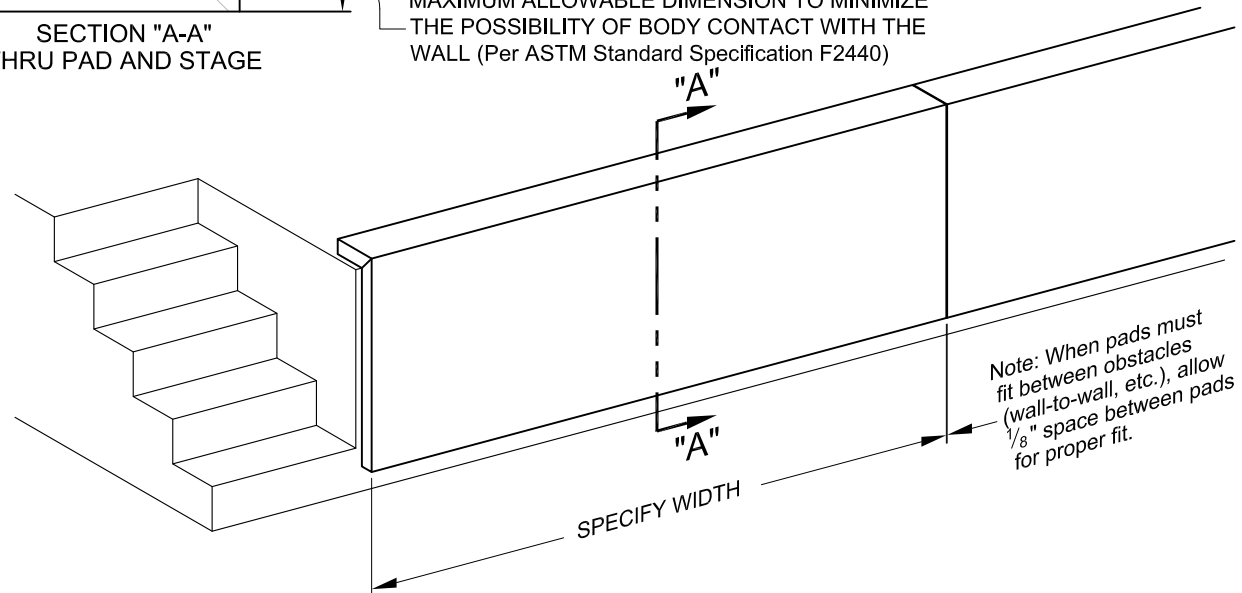


BOTTOM NAILING MARGIN:

YES NO



MAXIMUM ALLOWABLE DIMENSION TO MINIMIZE THE POSSIBILITY OF BODY CONTACT WITH THE WALL (Per ASTM Standard Specification F2440)



- _____ - 960570XX SUPERSAFE STAGE PAD
- _____ - 960570XXSP GRAPHIC SUPERSAFE STAGE PAD
- See G-144 - 14444 STOR-STRIP: 4'-0" Lg. (Each) (for Top Pad only)
- See G-347 - 347100 "Z" CLIP WALL ATTACHMENT CLIP (for Front Pad only)
- See G-347 - 347200 "Z" CLIP PANEL ATTACHMENT CLIP (for Front Pad only)

PAD HEIGHT: _____

PAD WIDTH: _____

QUANTITY: _____

960570XX - SUPERSAFE STAGE PADS

Entire pad assembly has been tested and meets the requirements of NFPA 101 Life Safety Code for Class A rating (flame spread 0-25, smoke development 0-450) when tested in accordance with ASTM E-84 (also published as NFPA-255, ANSI 2.5, UBC 8-1, and UL 723). Entire pad assembly has been tested and meets the criteria set forth in the 2003 IBC section 803.2.1 when tested in accordance with NFPA 286, NFPA does not publish pass/fail criteria.

Stage pad shall be _____ wide x _____ high. Panels shall be constructed with a 2" thick flame retardant foam. Interior foam shall be bonded to a 7/16" oriented strand wood board to minimize warping.

Entire face of panel shall be upholstered in a heavy (19-oz.) fire-retardant, high tensile, vinyl-coated polyester fabric material with a leather-like embossed finish. Cover material shall be designated as flame resistant in accordance with NFPA 701, and State of California. The cover material shall have a tear strength of 100 P.S.I. and shall be mildew and rot resistant and fortified with an infection combating fungicide. Vinyl covering shall be folded and stapled securely to backside of oriented strand board. Vinyl covering is available in 14 colors - see color chart for options.

The installing contractor shall be responsible for proper inspection and installation of all panels. Installation shall be made in accordance with current factory procedures, and ASTM Standard Specification F2440. Also, the *NCAA MEN'S AND WOMEN'S BASKETBALL RULES AND INTERPRETATIONS* book states: "It is recommended that padding that meets current ASTM standards be used on walls and other facility features in or around the playing area that a student-athlete might contact during play. Padding should be installed no more than 4 inches from the floor up to 6 feet".

Optional Additional Items to Specify

See Page No. G-341 for specification on Porter No. 341 and 342 Molded Inserts.

See Page No. G-347-3 for specification on Porter No. 347100, 347300 and 347400 Wall Attachment Fittings.

Certifications:

ASTM F2440 Standard Specification for Indoor Wall/Feature Padding

ASTM E-84 Class A Fire Rating

NFPA 286

PORTER
WWW.PORTERATHLETIC.COM/FACILITY

STAGE PAD SPECIFICATION SHEET

G-960570