

960550XX - SEWN STAGE PADS

PORTER

WWW.PORTERATHLETIC.COM/FACILITY

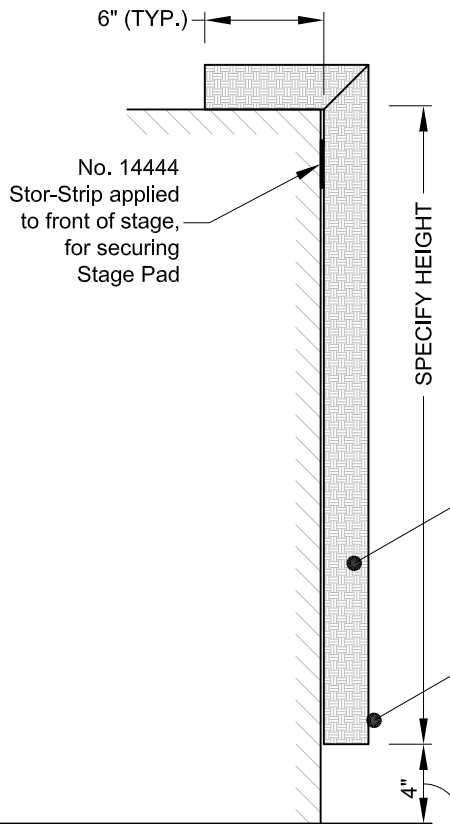
STAGE PAD SPECIFICATION SHEET

G-960550

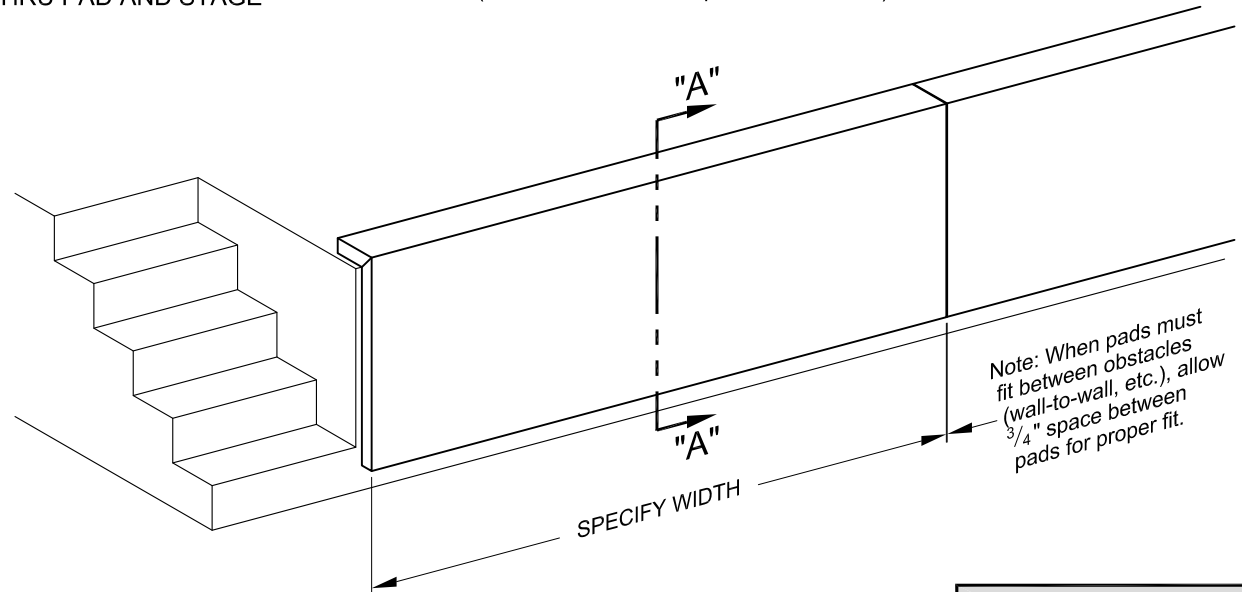
COLOR SELECTION	
	01 - Light Blue
	02 - Royal Blue
	03 - Red
	04 - White
	05 - Orange
	06 - Yellow Gold
	08 - Tan
	09 - Gray
	10 - Maroon
	11 - Purple
	12 - Black
	13 - Navy Blue
	14 - Kelly Green
	15 - Dark Green

WARNING
 This pad meets the level of protection per ASTM Standard Specification F2440. This pad is provided to reduce the possibility of minor injuries. However, any activity involving motion and severe impacts may result in serious injuries, including but not limited to paralysis or death. No wall pad can guarantee the prevention of serious head or neck injuries that are due to a violent impact while participating in various sports activities.

MAXIMUM PAD SIZES
 37 5/8" Height x 70" Width
 OR
 59 5/8" Height x 48" Width



MAXIMUM ALLOWABLE DIMENSION TO MINIMIZE THE POSSIBILITY OF BODY CONTACT WITH THE WALL (Per ASTM Standard Specification F2440)



PAD HEIGHT: _____
 PAD WIDTH: _____
 QUANTITY: _____

_____ - 960550XX SEWN STAGE PAD
 See G-144 - 14444 STOR-STRIP: 4'-0" Lg. (Each)

PORTER[®]
 888-277-7778 PORTER@PORTERATHLETIC.COM
 © COPYRIGHT 2017 PORTER ATHLETIC - ALL RIGHTS RESERVED

PROJECT NUMBER _____
 PROJECT NAME _____

960550XX - SEWN STAGE PADS

Panel shall meet the min. ASTM F2440 Standard Specification. Panels that have not been tested to this minimum standard shall not be considered as equal.

Stage pad shall be ____ wide x ____ high. Panels shall be constructed with a 2 1/4" thick polyethylene foam.

Entire casing of panel shall be upholstered in a heavy (15-oz.) fire-retardant, high tensile, vinyl-coated polyester fabric material with a leather-like embossed finish. Casing material shall be designated as flame resistant in accordance with NFPA 701, and State of California. The casing material shall have a tear strength of 100 P.S.I. and shall be mildew and rot resistant and fortified with an infection combating fungicide. Vinyl casing shall be sewn. Vinyl covering is available in 14 colors - see color chart for options.

The installing contractor shall be responsible for proper inspection and installation of all panels. Installation shall be made in accordance with current factory procedures, and ASTM Standard Specification F2440. Also, the *NCAA MEN'S AND WOMEN'S BASKETBALL RULES AND INTERPRETATIONS* book states: "It is recommended that padding that meets current ASTM standards be used on walls and other facility features in or around the playing area that a student-athlete might contact during play. Padding should be installed no more than 4 inches from the floor up to 6 feet".

Optional Additional Items to Specify

See Page No. G-144 for specification on Porter No. 14444 Stor-Strip.

Certifications:

ASTM F2440 Standard Specification for Indoor Wall/Feature Padding

Part Number:

960550XX

XX indicates color, please see color chart for current color choices.