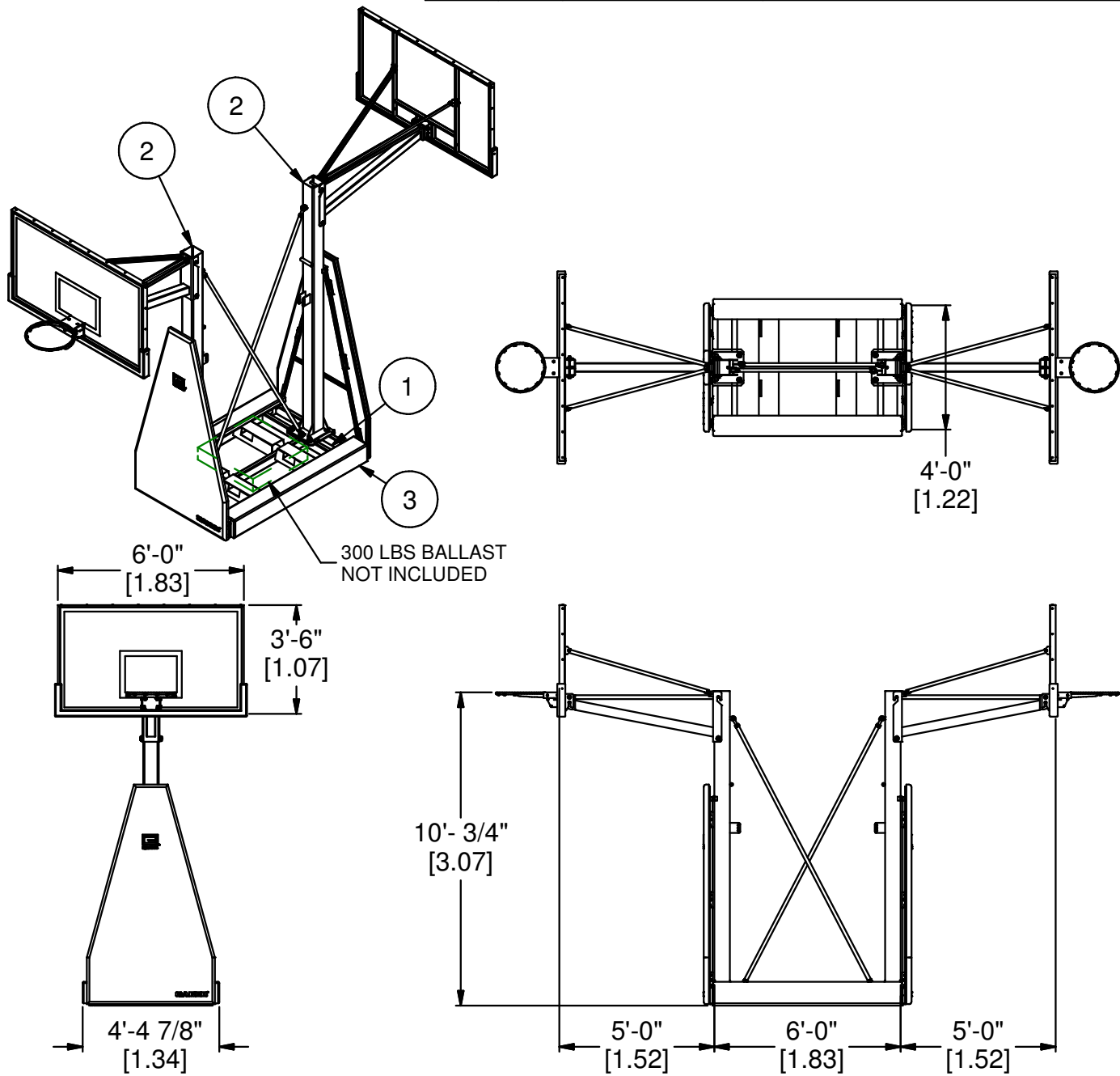


ITEM	QTY	PART NUMBER	DESCRIPTION
1	1	9254	BASE WELDMNT, SPACE JAM
2	2	9253	POST ASSY, SPACE JAM
3	2	883103595	PAD ASSY, BASE SIDE



UNIT WEIGHT: 1268 LBS [575 KG]
 300 LBS [136 KG] BALLAST BY OTHERS

A	WDC	05-21-13
REV	BY	DATE



GARED
 Gared Holdings, LLC
 9200 E. 146th St. Noblesville, IN 46060

THIS DOCUMENT CONTAINS TRADE SECRET AND OTHER MATERIALS WHICH ARE PROTECTED BY CONFIDENTIALITY NOTICE AND AGREEMENT AND BY COPYRIGHT. ANY USE OR COPYING OF THIS DOCUMENT EXCEPT AS AUTHORIZED BY GARED HOLDINGS, LLC IS STRICTLY PROHIBITED.

SPACE JAM SYSTEM, DOUBLE

DRAWN	CROSBY	DATE	3/20/2013	DATE ISSUED
APPROVED		DATE		
FILE LOC. Q:\Inventor Files\Specification Files\02_Portables				
SIZE	SCALE	SHT. NO.	PART NO.	REV
A		1 OF 1	9252	A